

PLEASE CHECK WWW.MOLEX.COM FOR LATEST PART INFORMATION

Part Number: [0554541370](#)
Status: **Active**
Description: 1.25mm (.049") Pitch Mi II™ System Wire-to-Board Header, Single Row, Right Angle, Lead-free, 13 Circuits

Documents:

[3D Model](#) [Product Specification PS-54596-018 \(PDF\)](#)
[Drawing \(PDF\)](#) [RoHS Certificate of Compliance \(PDF\)](#)

General

Product Family PCB Headers
 Series [55454](#)
 Application Wire-to-Board
 Product Name Mini Mi II™

Physical

Breakaway No
 Circuits (Loaded) 13
 Color - Resin Natural
 Durability (mating cycles max) 30
 First Mate / Last Break No
 Glow-Wire Compliant No
 Guide to Mating Part No
 Keying to Mating Part None
 Lock to Mating Part Yes
 Material - Plating Mating Tin
 Material - Plating Termination Tin
 Number of Rows 1
 Orientation Right Angle
 PC Tail Length (in) 0.118 In
 PC Tail Length (mm) 3.00 mm
 PCB Locator Yes
 PCB Retention Yes
 PCB Thickness Recommended (in) 0.062 In
 PCB Thickness Recommended (mm) 1.60 mm
 Packaging Type Tray
 Pitch - Mating Interface (in) 0.049 In
 Pitch - Mating Interface (mm) 1.25 mm
 Polarized to Mating Part Yes
 Shrouded Fully
 Stackable No
 Surface Mount Compatible (SMC) No
 Temperature Range - Operating -40°C to +105°C
 Termination Interface: Style Through Hole

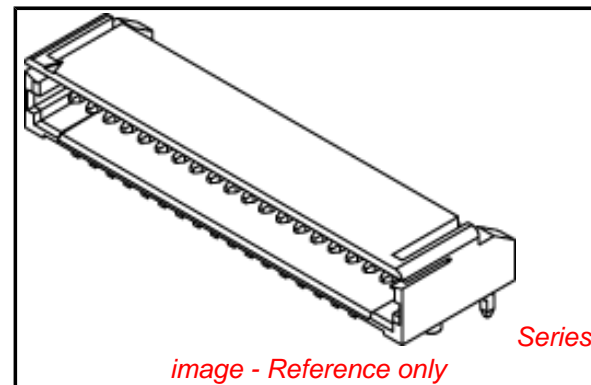
Electrical

Current - Maximum per Contact 1.5A
 Voltage - Maximum 100V

Material Info

Reference - Drawing Numbers

Packaging Specification SPK-55454-001
 Product Specification PS-54596-018, RPS-54596-024
 Sales Drawing SD-55454-007



EU RoHS

ELV and RoHS Compliant
REACH SVHC
 Not Reviewed
Halogen-Free Status

China RoHS



Not Reviewed

Need more information on product environmental compliance?

Email productcompliance@molex.com
 For a multiple part number RoHS Certificate of Compliance, [click here](#)

Please visit the [Contact Us](#) section for any non-product compliance questions.

Search Parts in this Series

[55454Series](#)

Mates With

[51336](#) PBT Polyester, Glass-filled Housing.
[54596](#) PA Polyamide Housing

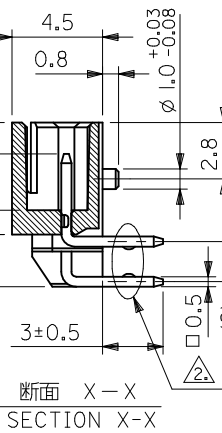
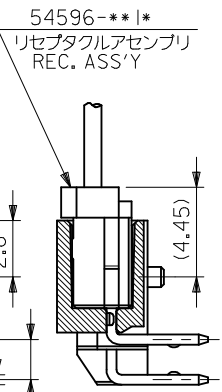
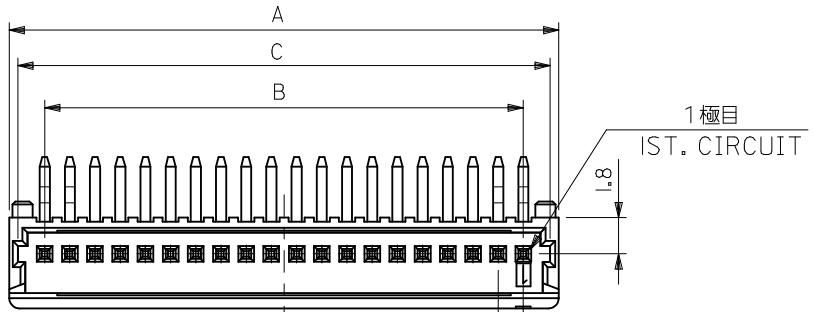
This document was generated on 05/27/2010

PLEASE CHECK WWW.MOLEX.COM FOR LATEST PART INFORMATION

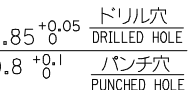
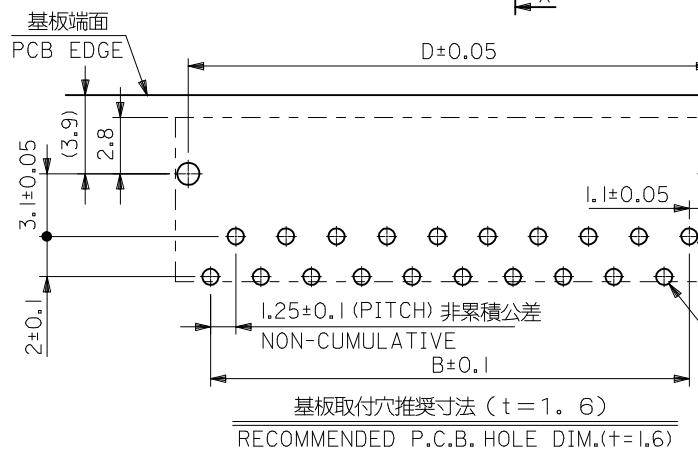
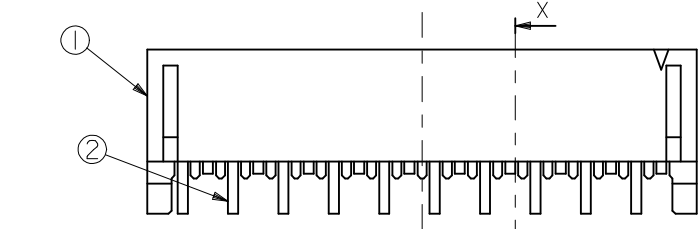
番号 NO.	名称 NAME	原料 MATERIAL	数量 QTY	仕上げ FINISH
①	ウエハー WEFAR	ポリアミド PA	1	UL94V-0
②	ピン PIN	黄銅 BRASS	N	錫メッキ 1.0マイクロメートル以上 PRE-TINNED 1.0 MICROMETER MINIMUM 下地: ニッケルメッキ 0.5マイクロメートル以上 UNDER PLATE NICKEL 0.5 MICROMETER MINIMUM

注) NOTES

- 1. 原料および仕上げ: 表参照
MATERIAL AND FINISH: SEE CHART
- △ キングは、両サイド4ピンに適用。(4極品までは、全極に適用)
TO BE APPLICABLE 4 PIN OF BOTH SIDE.
- △ 製品番号
MATERIAL NO.
55454-***7*
極数 CIRCUIT SIZE (02 ~ 20)
メッキ仕様: 無鉛 PLATING: LEAD FREE
0: 自然色 NATURAL
色 2: 赤色 RED
COLOR 3: 黄色 YELLOW



嵌合図
MATING REC.



無鉛
LEAD FREE

25.95	26.4	23.75	27.25	20	55454-207*
24.7	25.15	22.5	26	19	-197*
23.45	23.9	21.25	24.75	18	-187*
22.2	22.65	20	23.5	17	-177*
20.95	21.4	18.75	22.25	16	-167*
19.7	20.15	17.5	21	15	-157*
18.45	18.9	16.25	19.75	14	-147*
17.2	17.65	15	18.5	13	-137*
15.95	16.4	13.75	17.25	12	-127*
14.7	15.15	12.5	16	11	-117*
13.45	13.9	11.25	14.75	10	-107*
12.2	12.65	10	13.5	9	-097*
10.95	11.4	8.75	12.25	8	-087*
9.7	10.15	7.5	11	7	-077*
8.45	8.9	6.25	9.75	6	-067*
7.2	7.65	5	8.5	5	-057*
5.95	6.4	3.75	7.25	4	-047*
4.7	5.15	2.5	6	3	-037*
3.45	3.9	1.25	4.75	2	55454-027*

55454-***7*

D	C	B	A	極数 CIRCUIT SIZE	製品番号 MATERIAL NO.	MODEL NO.
					△ 製品番号 MATERIAL NO.	

REVISED		GENERAL TOLERANCES (UNLESS SPECIFIED)		DIMENSION STYLE		SCALE		DESIGN UNITS		THIRD ANGLE PROJECTION	
EC NO: J2009-1881	2009/02/05	10 UNDER	±0.2	MM ONLY		4:1		METRIC		◎ □	
DRWRTSURIJOKA	2009/02/05	10 OVER 30 UNDER	±0.25	DRAWN BY DATE		TITLE		MINI M12 1-ROW R/A WAFER ASS'Y (SN)			
CHKD: THARUYAMA	2009/02/05	30 OVER	±0.3	N. YOSHIDA '03/02/12							
APPR: NUKITA	2009/02/05	ANGULAR ±3 °		CHECKED BY DATE				MOLEX INCORPORATED			
		DRAFT WHERE APPLICABLE MUST REMAIN WITHIN DIMENSIONS		M. YAGI '03/02/12							
A				APPROVED BY DATE		SEE TABLE		SD-55454-007		1 OF 1	
				Y. ITO '03/02/12							
				MATERIAL NO.							
				SIZE A3		THIS DRAWING CONTAINS INFORMATION THAT IS PROPRIETARY TO MOLEX INCORPORATED AND SHOULD NOT BE USED WITHOUT WRITTEN PERMISSION					