



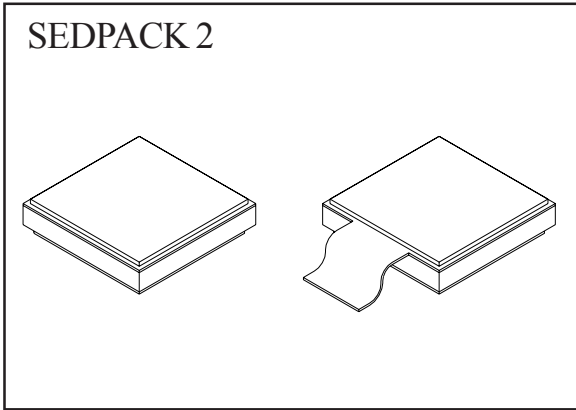
**SOLID STATE DEVICES, INC.**

14830 Valley View Blvd \* La Mirada, Ca 90638  
 Phone: (562) 404-7855 \* Fax: (562) 404-1773  
 ssdi@ssdi-power.com \* www.ssdi-power.com

**Designer's Data Sheet**

**SED60KB100  
 SED60KE100**

**60 AMP  
 100 VOLTS  
 SCHOTTKY  
 RECTIFIER**



- FEATURES:**
- Low Reverse Leakage
  - Low Forward Voltage Drop
  - Hermetically Sealed Power Surface Mount Package
  - Guard Ring for Overvoltage Protection
  - Eutectic Die Attach
  - 175°C Operating Temperature
  - TX, TXV and Space Level Screening Available

Maximum Ratings	SYMBOL	VALUE	UNITS
Peak Repetitive Reverse and DC Blocking Voltage	$V_{RRM}$ $V_{RWM}$ $V_R$	100	Volts
Average Rectified Forward Current (Resistive Load, 60Hz, Sine Wave, $T_C = 100^\circ\text{C}$ )	$I_o$	60	Amps
Peak Surge Current (8.3 ms Pulse, Half Sine Wave Superimposed on $I_o$ , allow junction to reach equilibrium between pulses, $T_A = 25^\circ\text{C}$ )	$I_{FSM}$	500	Amps
Operating and Storage Temperature	Top & Tstg	-55 TO +175	$^\circ\text{C}$
Maximum Thermal Resistance Junction to Case	$R_{\theta JC}$	0.70	$^\circ\text{C/W}$

NOTE: All specifications are subject to change without notification. SCD's for these devices should be reviewed by SSDI prior to release.

**DATA SHEET #: RSED05E**

# SED60KB100 SED60KE100

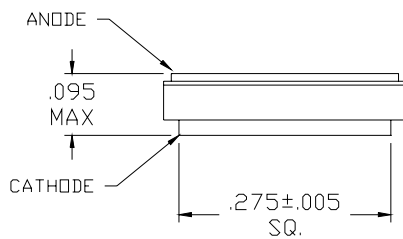
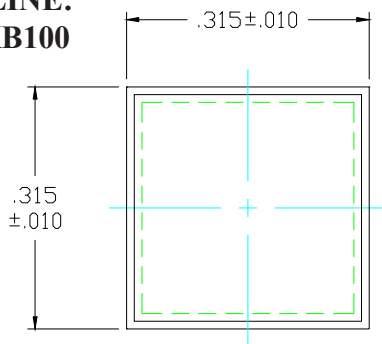


## SOLID STATE DEVICES, INC.

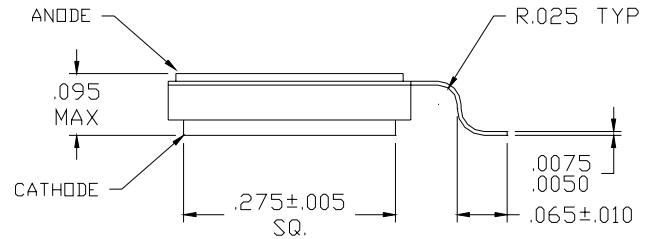
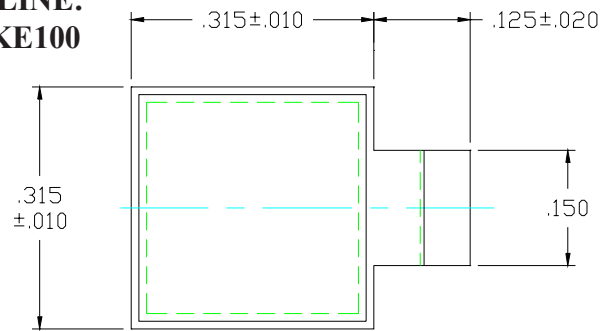
14830 Valley View Blvd \* La Mirada, Ca 90638  
 Phone: (562) 404-7855 \* Fax: (562) 404-1773  
 ssdi@ssdi-power.com \* www.ssdi-power.com

Electrical Characteristics		SYMBOL	VALUE	UNITS
Instantaneous Forward Voltage Drop ( $T_A = 25^\circ\text{C}$ , 300 - 500 $\mu\text{s}$ Pulse)	$I_F = 30A_{DC}$	$V_{F1}$	0.85	$V_{DC}$
	$I_F = 60A_{DC}$	$V_{F2}$	1.0	
Instantaneous Forward Voltage Drop ( $I_F = 30A_{DC}$ , $T_A = +125^\circ\text{C}$ , 300 - 500 $\mu\text{s}$ Pulse)		$V_{F3}$	0.65	$V_{DC}$
Reverse Leakage Current (Rated $V_R$ , 300 $\mu\text{sec}$ pulse minimum)	$T_A = 25^\circ\text{C}$	$I_{R1}$	6.0	mA
	$T_A = 125^\circ\text{C}$	$I_{R2}$	20	
Junction Capacitance ( $V_R = 5V_{DC}$ , $T_A = 25^\circ\text{C}$ , $f = 1\text{MHz}$ )		$C_J$	1500	pF

### CASE OUTLINE: P/N SED60KB100



### CASE OUTLINE: P/N SED60KE100



### TYPICAL OPERATING CURVES

( $T_A = 25^\circ\text{C}$  unless otherwise specified)

