

TECHNICAL DATA SHEET

Centronic Silicon Photodetectors

Opto Hybrid Series

OSI 35-1M/2K5

The OSI 35-1M/2K5 range of opto-hybrid detectors have been introduced for applications as diverse as light fluctuation monitoring, alarm systems and medical analytical equipment.

Active Area of Diode 35 mm² (square)

All Measurements at +/-15 volts and 25°C unless otherwise stated.

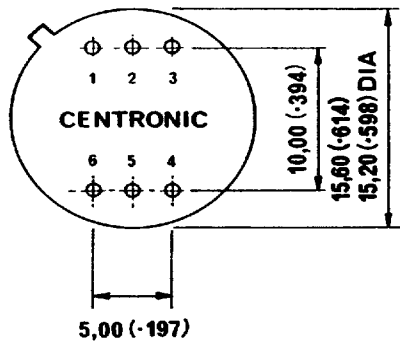
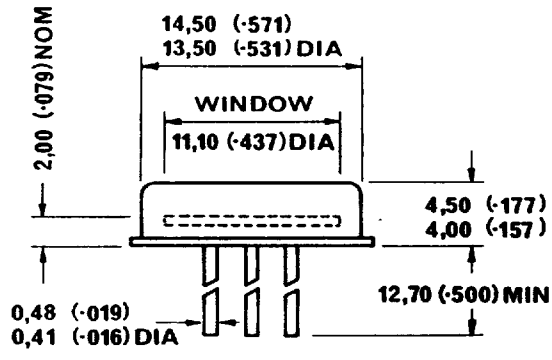
Parameter	Conditions	Min.	Typ.	Max.	Units
O/P Dark Voltage			3	7	mV
O/P Saturation Voltage			-12		V
O/P Resistance	Load resistor > 2 kohm		2		ohm
O/P Short Circuit Current		5	6		mA
O/P Noise Voltage			100	300	μ V rms
Responsivity (Note 1)		530 nm OSI 35-V-IM/2K5	0.25	0.33	
	900 nm OSI 35-IR-IM/2K5	0.48	0.58		
Transimpedance Gain (Note 2)			1M		ohm
Supply Voltage		\pm 5		\pm 18	V
Supply Current	No load resistor		0.4	1.0	mA
Power Supply Rejection Ratio			7	63	μ V/V
Bandwidth	Upper 3 dB Point	2.1	2.5		KHz
Rise Time	No load capacitor		145	165	μ S
Fall Time				145	165
Dark Voltage Temp. Coefficient	Between 20° & 50°C		150	500	μ V/C

- Notes:
- 1) Relative response of 1 on the spectral curve corresponds to 0.58 V/ μ W.
 - 2) Gain/bandwidths of 100K/25K also available to special order.
 - 3) See reverse of this leaflet for Spectral Response Curve Circuit details and package data.

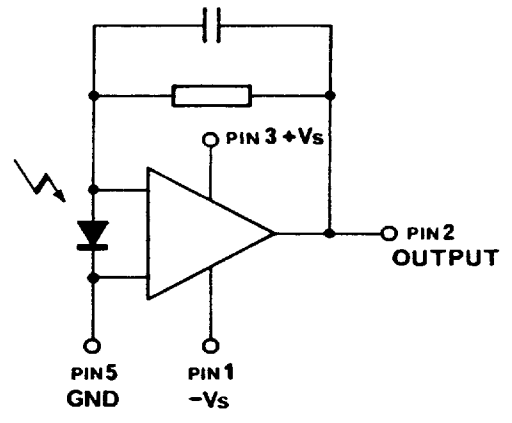
Centronic Limited, 267 King Henry's Drive, New Addington, Croydon, U.K. CR9 0BG

Telephone: (0689) 842121

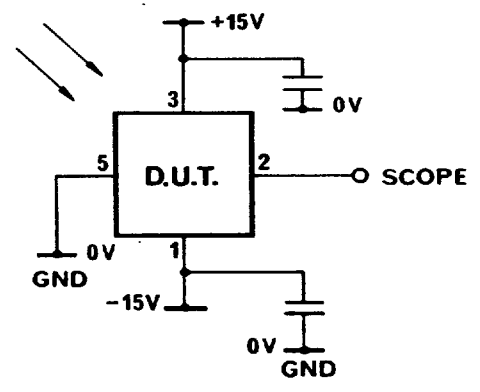
Fax: (0689) 845117



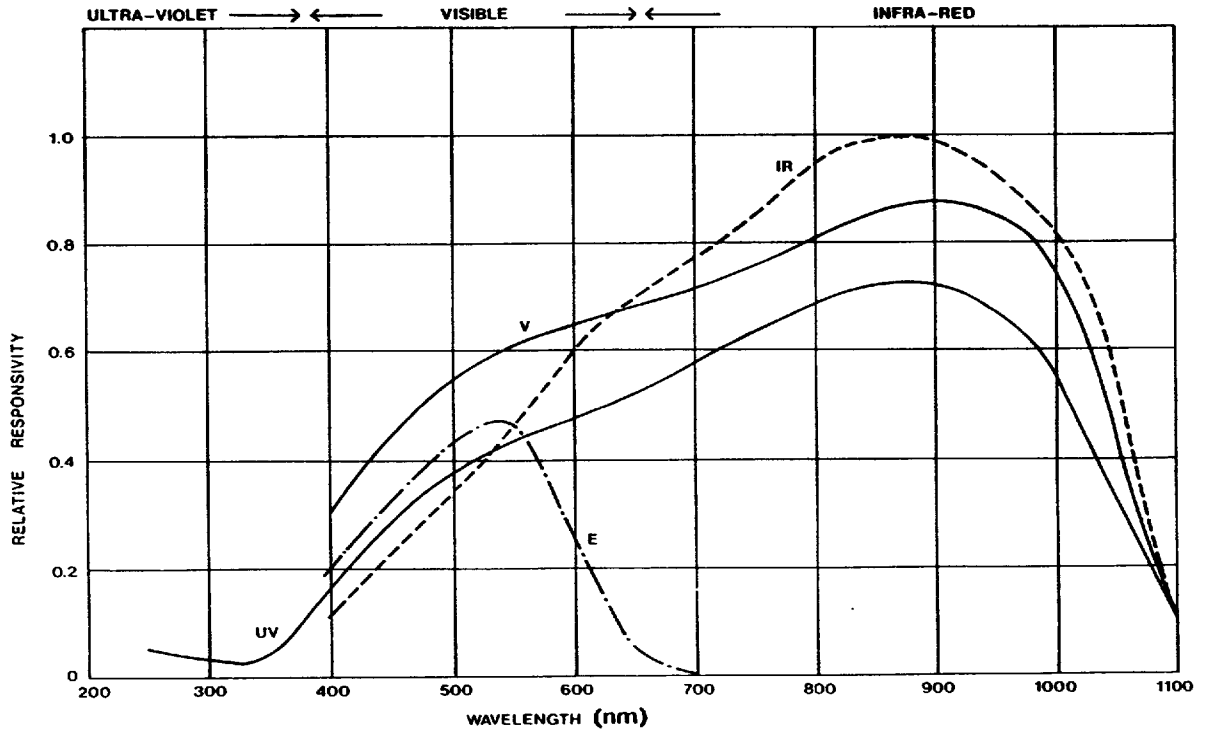
Package Diagram



Internal Circuit



Test Circuit



Relative Spectral Response Curves