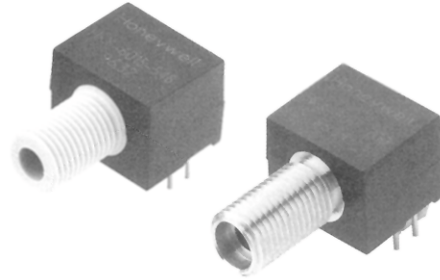


HFD3403-2XX

FOR INDUSTRIAL BUS SYSTEMS

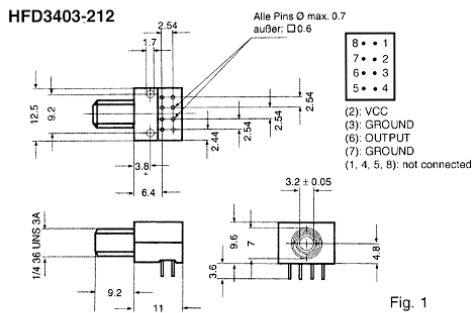
FEATURES

- Designed to meet SERCOS specification
- Converts optical input signals to TTL digital output
- Typical sensitivity 5µw (-23 dBm) (660nm)
- Single 5 volt supply
- Direct coupled receiver circuit
- Open collector output
- Microlens optics for efficient fiber coupling
- Metal barrel for high mechanical stability (HFD3403-202) Fig.2
- Separate grounding of barrel for optimum EM/RFI shielding (HFD3403-202) Fig.2
- Lost cost plastic barrel for General Purpose Bus-Applcation (HFD3403-212) Fig.1

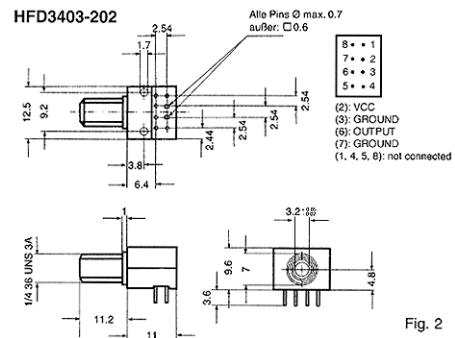


opho_234.TIF

OUTLINE DIMENSIONS in inches (mm)



ODIM_235.TIF



ODIM_236.TIF

HFD3403-2XX

FOR INDUSTRIAL BUS SYSTEMS

ELECTRO-OPTICAL CHARACTERISTICS (Temperature = 25°C, V_{CC} = 5.0 VDC unless otherwise noted)

PARAMETER	SYMBOL	MIN	TYP	MAX	UNITS	TEST CONDITIONS
Minimum input sensitivity	P_{IN} (Peak)		5.0	10.0	μ W	λ P = 660 nm into 1000 μ m optical fiber ff = 2.5 Mhz, Duty Cycle = 50% PWD \leq 10%
			-23	-20	dBm	
High level logic output voltage	V_{OH}	2.4	4.5		V	$P_{IN} \leq 10 \mu$ w, R_L -560 Ω
Low level logic output voltage	V_{OL}		0.25	0.4		$P_{IN} \leq 10 \mu$ w, R_L -560 Ω
Rise Time	t_R		6	9		$P_{IN} \leq 10 \mu$ w, $V_O = 0.4$ to 2.4 V R_L -560 Ω
Fall Time	t_F		6	9		$P_{IN} \leq 10 \mu$ w, $V_O = 2.4$ to 0.4 V R_L -560 Ω
Supply Current	I_{CCL} I_{CCH}		13.0	15.0	mA	$P_{IN} \geq 10 \mu$ w $P_{IN} \leq 10 \mu$ w
			4.5	6.5		
Pulse width distortion	PWD		10	25		$P_{IN} \leq 10 \mu$ w peak, f=2.5 Mhz Duty Cycle= 50%
			25	30		

ABSOLUTE MAXIMUM RATINGS

(25°C Free-Air Temperature unless otherwise noted)

Forward current	70 mA
Peak forward current	300 mA
Reverse voltage	+4 V
Power dissipation	140 mW
Operating temperature	-30 to +85°C
Storage temperature	260°C, 5 sec (3,0 mm from body)

Honeywell reserves the right to make changes in order to improve design and supply the best products possible.

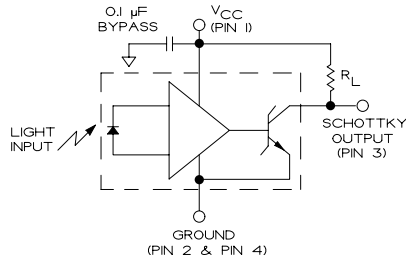
Honeywell

375

HFD3403-2XX

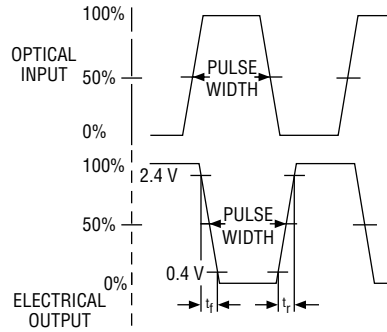
FOR INDUSTRIAL BUS SYSTEMS

BLOCK DIAGRAM



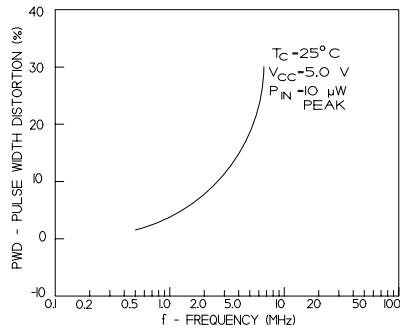
FIBER-4.SCH

SWITCHING WAVEFORM



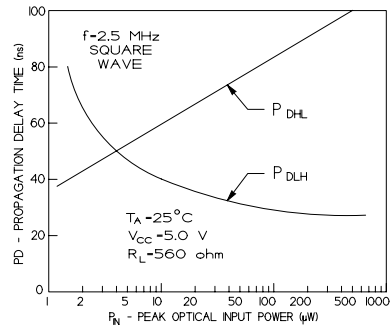
FIBER202.CIR

Pulse Width Distortion vs Frequency



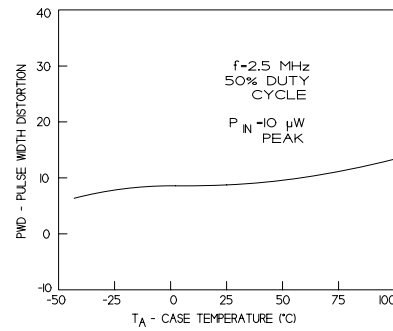
FIBER056.GRA

Propagation Delay Time vs Peak Optical Input Power



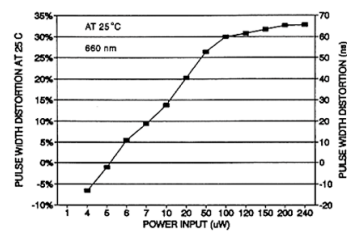
FIBER057.GRA

Pulse Width Distortion vs Temperature



FIBER055.GRA

PULSE WIDTH DISTORTION VS OPTICAL INPUT POWER



OGRA_162.TIF