

ARK-6622-6M01

**Compact Intel® Core™ i7/i5/
Celeron® Mini-ITX System
with Front Accessible I/O**



Features

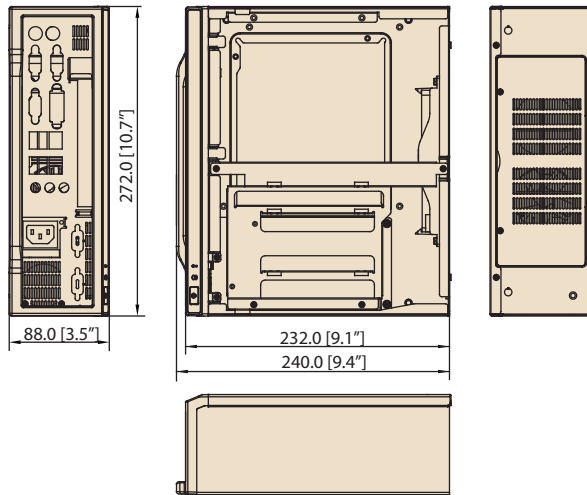
- Intel® QM57 Platform
 - Supports Intel® Core™ i7/i5/Celeron® processors up to 2.66 GHz
 - Supports DDR3 SDRAM up to 8 GB
 - Supports PCIe x16 slots with optional riser card
- Compact & Innovative New Design
 - Front accessible I/O and supports additional interfaces with extra cutouts
 - Ruggedized handle for easy maintenance and enhanced mobility
 - Shock-resistant two 2.5" drive bays
 - Easy-to-maintain system fan and reusable filter design
 - Power cord hook to keep PSU power cord in place

Specifications

Form Factor		Wallmount	
Processor System	Chipset	Intel QM57	
	CPU	Supports Intel Core i7/i5/Celeron processor up to 2.66 GHz	
	L2 Cache	Up to 4 MB	
	Memory	DDR3 800/1066 MHz SDRAM up to 8 GB	
Graphics	Controller	Intel GFX (Gen 5. 75, support DirectX 10 and Open GL 2.1)	
Storage	2.5" HDD (support)	2 x SATA	
Ethernet	Interface	10/100/1000 Mbps Gigabit Ethernet	
	Controller	Intel 82577LM , Intel 82583V	
Front I/O Ports	USB	4	
	PS/2	2	
	COM	2	
	Parallel	-	
	RJ-45	2	
	Audio	3 (Mic-in, Line-in, Line-out)	
	Display	1 VGA + 1 DVI	
	Reserved Cutouts	2 DB-9 and 2 wireless antenna	
Watchdog Timer	Output	Interrupt, system reset	
	Interval	Programmable, 1~255 sec/min	
Power Supply	Power Output Wattage	180 W	
	Input Range	AC 100 ~ 240 V	
Cooling	Chassis Fan	2 (6 cm / 27.7 CFM)	
	Air Filter	Yes	
Miscellaneous	Overheating Protection	System shut-down when over-heated	
	LED Indicators	Power, HDD, temperature	
	Control	Power on/off switch	
Environment		Operating	Non-operating
	Temperature	0 ~ 40° C (32 ~ 104° F)	-20 ~ 60° C (-4 ~ 140° F)
	Humidity	10 ~ 85% @ 40° C non-condensing	10 ~ 95% @ 40° C non-condensing
Physical Characteristics	Dimensions (W x H x D)	272 x 88 x 232 mm (10.7" x 3.5" x 9.1")	
	Weight	3.5 kg (7.7 lb)	

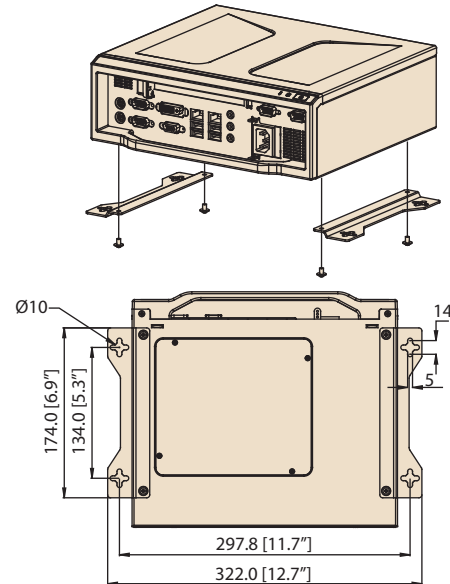
Dimensions

Unit: mm [inch]



Installation

Unit: mm [inch]



Ordering Information

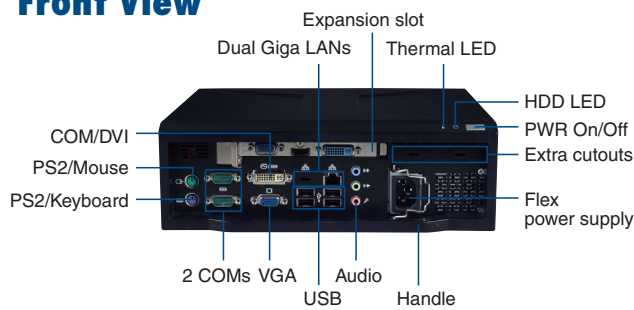
Please visit Advantech eStore for order entry.

<http://buy.advantech.com/>

System Contents

Item	Part Number
Chassis	ARK-6622H-18ZE
Motherboard	AIMB-270G2-00A1E
PCIe x16 Riser Card	9892662210E

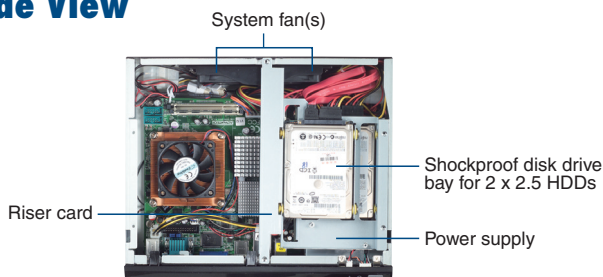
Front View



Rear Cover for Replacing Fans



Inside View



2.5" HDDs and Riser Card Bracket

