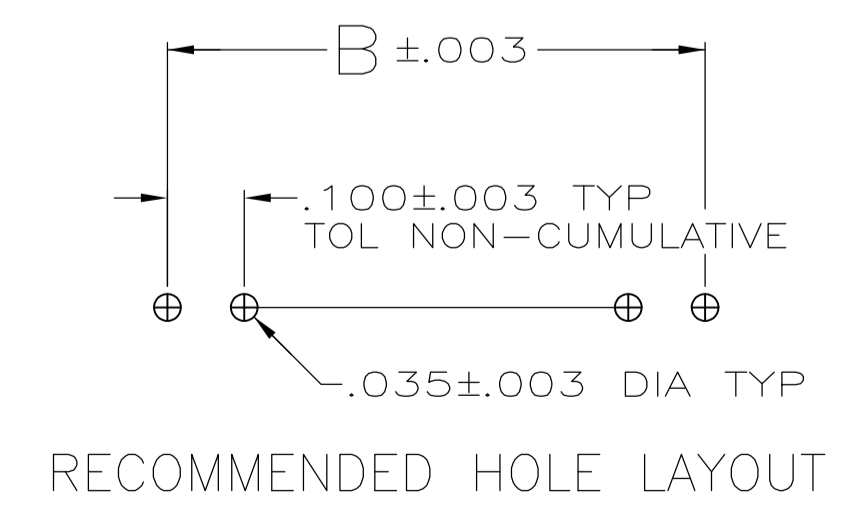


- TRUE POSITION TOLERANCE OF THE POST TIPS APPLIES WHEN THE HEADERS ARE HELD FLAT AGAINST THE PRINTED CIRCUIT BOARD
 - ASSEMBLY MAY BE BROKEN TO THE DESIRED NUMBER OF POSITIONS
- ③ PACKAGE IN SINGLE TUBES
 - ④ .000100-.000200 MATTE TIN-LEAD OVER .000050 NICKEL.
 - ⑤ .000100-.000200 BRIGHT TIN OVER .000050 NICKEL.
 - ⑥ PRELIMINARY PART - NOT RELEASED FOR PRODUCTION.
 - ⑦ HOUSING MATERIAL: FLAME RETARDANT THERMOPLASTIC; COLOR-BLACK.
 - ⑧ OBSOLETE PARTS: OBSOLETE CIS STREAMLINING PER D.RENAUD/D.SINISI



PLATING	REMARKS	C	B	A	NO OF POSN	PART NUMBER
OBSOLETE	⑤	.484	.400	4	5	5-103321-3
OBSOLETE	⑤	1.384	1.300	13	14	5-103321-2
OBSOLETE	⑤	1.184	1.100	11	12	5-103321-1
OBSOLETE	⑤	1.084	1.000	10	11	5-103321-0
OBSOLETE	⑤	.884	.800	8	9	4-103321-9
OBSOLETE	⑤	3.984	3.900	39	40	4-103321-8
OBSOLETE	⑤	1.584	1.500	15	16	4-103321-7
OBSOLETE	⑤	.784	.700	7	8	4-103321-6
OBSOLETE	⑤	.284	.200	2	3	4-103321-5
OBSOLETE	⑤	.184	.100	1	2	4-103321-4
OBSOLETE	⑤	.084	—	—	1	4-103321-3
SUPERSEDED BY 1-103321-4	③	1.384	1.300	13	14	4-103321-2
SUPERSEDED BY 103321-3	③	.284	.200	2	3	4-103321-1
OBSOLETE	④	3.984	3.900	39	40	4-103321-0
OBSOLETE	④	3.884	3.800	38	39	3-103321-9
OBSOLETE	④	3.784	3.700	37	38	3-103321-8
OBSOLETE	④	3.684	3.600	36	37	3-103321-7
OBSOLETE	④	3.584	3.500	35	36	3-103321-6
OBSOLETE	④	3.484	3.400	34	35	3-103321-5
OBSOLETE	④	3.384	3.300	33	34	3-103321-4
OBSOLETE	④	3.284	3.200	32	33	3-103321-3
OBSOLETE	④	3.184	3.100	31	32	3-103321-2
OBSOLETE	④	3.084	3.000	30	31	3-103321-1
OBSOLETE	④	2.984	2.900	29	30	3-103321-0
OBSOLETE	④	2.884	2.800	28	29	2-103321-9
OBSOLETE	④	2.784	2.700	27	28	2-103321-8
OBSOLETE	④	2.684	2.600	26	27	2-103321-7
OBSOLETE	④	2.584	2.500	25	26	2-103321-6
OBSOLETE	④	2.484	2.400	24	25	2-103321-5
OBSOLETE	④	2.384	2.300	23	24	2-103321-4
OBSOLETE	④	2.284	2.200	22	23	2-103321-3
OBSOLETE	④	2.184	2.100	21	22	2-103321-2
OBSOLETE	④	2.084	2.000	20	21	2-103321-1
SUPERSEDED BY 7-146274-0	④	1.984	1.900	19	20	2-103321-0
OBSOLETE	④	1.884	1.800	18	19	1-103321-9
OBSOLETE	④	1.784	1.700	17	18	1-103321-8
OBSOLETE	④	1.684	1.600	16	17	1-103321-7
OBSOLETE	④	1.584	1.500	15	16	1-103321-6
OBSOLETE	④	1.484	1.400	14	15	1-103321-5
OBSOLETE	④	1.384	1.300	13	14	1-103321-4
OBSOLETE	④	1.284	1.200	12	13	1-103321-3
OBSOLETE	④	1.184	1.100	11	12	1-103321-2
OBSOLETE	④	1.084	1.000	10	11	1-103321-1
OBSOLETE	④	.984	.900	9	10	1-103321-0
OBSOLETE	④	.884	.800	8	9	103321-9
OBSOLETE	④	.784	.700	7	8	103321-8
OBSOLETE	④	.684	.600	6	7	103321-7
OBSOLETE	④	.584	.500	5	6	103321-6
OBSOLETE	④	.484	.400	4	5	103321-5
OBSOLETE	④	.384	.300	3	4	103321-4
OBSOLETE	④	.284	.200	2	3	103321-3
OBSOLETE	④	.184	.100	1	2	103321-2
OBSOLETE	④	.084	—	—	1	103321-1

THIS DRAWING IS A CONTROLLED DOCUMENT.

DIMENSIONS: INCHES. TOLERANCES UNLESS OTHERWISE SPECIFIED:

0. PLC	± .005
1. PLC	± .005
2. PLC	± .005
3. PLC	± .005
4. PLC	± .005
ANGLES	± .005

MATERIAL: PHOSPHOR BRONZE. FINISH: SEE TABLE.

APPROVED: J. MARTINELLI (15OCT92), JOHN KNITTLE (23NOV92), B. FLINCHBAUGH (23NOV92).

NAME: ASSEMBLY, HEADER, BREAKAWAY, MOD II, SINGLE ROW, .100 C/L, VERTICAL, WITH .025 SQUARE POSTS.

SIZE: A1. CAGE CODE: 00779. DRAWING NO: 103321. WEIGHT: —. RESTRICTED TO: —.

CUSTOMER DRAWING. SCALE: 4:1. SHEET: 1 OF 1. REV: P2.