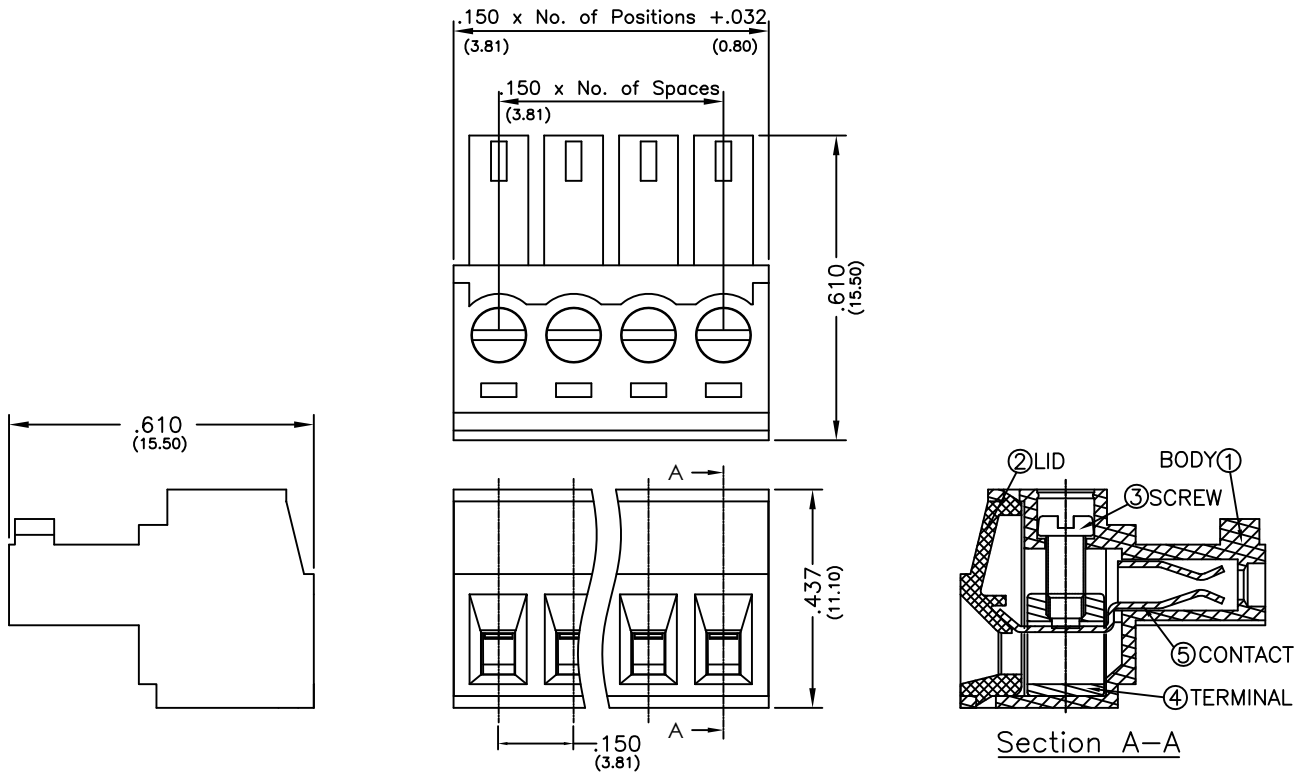


Major League Electronics .150 cl Pluggable Socket Terminal Blocks



Ordering Information

TBPS-00- 150 - XX - XX - LF

Pitch
150 = .150 (3.81) cl

No. of Positions
02 - 24

Lead Free

Color

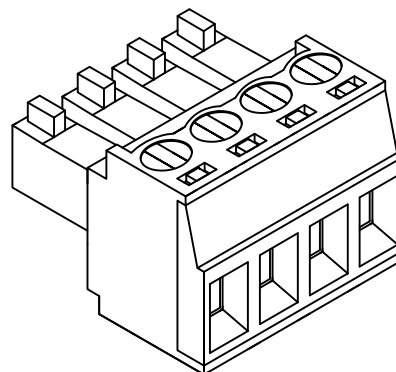
GR = Green (Standard)
BK = Black
BL = Blue
WH = White
GY = Grey
OR = Orange
YW = Yellow
RD = Red
BR = Brown

Specifications

Current Rating: 8 Ampere
Voltage Rating: AC 250V
Wire Range: 16-24 AWG
Dielectric Withstanding Voltage: AC 2000V/1 minute
Insulation Resistance: DC 500V 500MΩ
Operating Temperature: -33°C to + 105°C
Max Torque: 2.2 lb-in (2.53kgf. cm)
Strip Length: .236-.315 (6-8mm)

Materials

1. Body: PA66 (Nylon), UL94 V-0
2. Lid: PA66 (Nylon), UL94V-0
3. Screw: M2.0, C1018 Steel, Zinc Plated
4. Terminal: Brass, Nickel Plated
5. Contact: Phosphor Bronze, Tin Plated



Mates With:
TBPH-00-150-XX-XX-LF

Parts are subject to change without notice

TBPS-00-150-XX-XX-LF

.150cl Pluggable Socket Terminal Block
Non-Interlock

17 NOV 08

Scale
NTS

UNLESS OTHERWISE SPECIFIED
DIMENSIONS IN INCHES (MM)
TOLERANCES IN INCHES:

ONE DECIMAL PLACE ±0.30
TWO DECIMAL PLACE ±0.20
THREE DECIMAL PLACE ±0.15
FOUR DECIMAL PLACE ±0.10

Major League
ELECTRONICS

4235 Earnings Way, New Albany, Indiana, 47150, USA
1-800-782-3486 (USA/Canada/Mexico)
Tel: 812-944-7244
Fax: 812-944-7268
E-mail: mle@mlelectronics.com
Web: www.mlelectronics.com

Revision
B

Sheet
1/2

Revisions

Revision B - (23rd Mar 2010)

Side view added

TBPS-00-150-XX-XX-LF

.150cl Pluggable Socket Terminal Block
Non-Interlock

17 NOV 08

Scale
NTS

UNLESS OTHERWISE SPECIFIED
DIMENSIONS IN INCHES (MM)
TOLERANCES IN INCHES:

ONE DECIMAL PLACE ±0.30
TWO DECIMAL PLACE ±0.20
THREE DECIMAL PLACE ±0.15
FOUR DECIMAL PLACE ±0.10



4235 Earnings Way, New Albany, Indiana, 47150, USA
1-800-782-3486 (USA/Canada/Mexico)
Tel: 812-944-7244
Fax: 812-944-7268
E-mail: mle@mlelectronics.com
Web: www.mlelectronics.com

Revision
B

Sheet
2/2