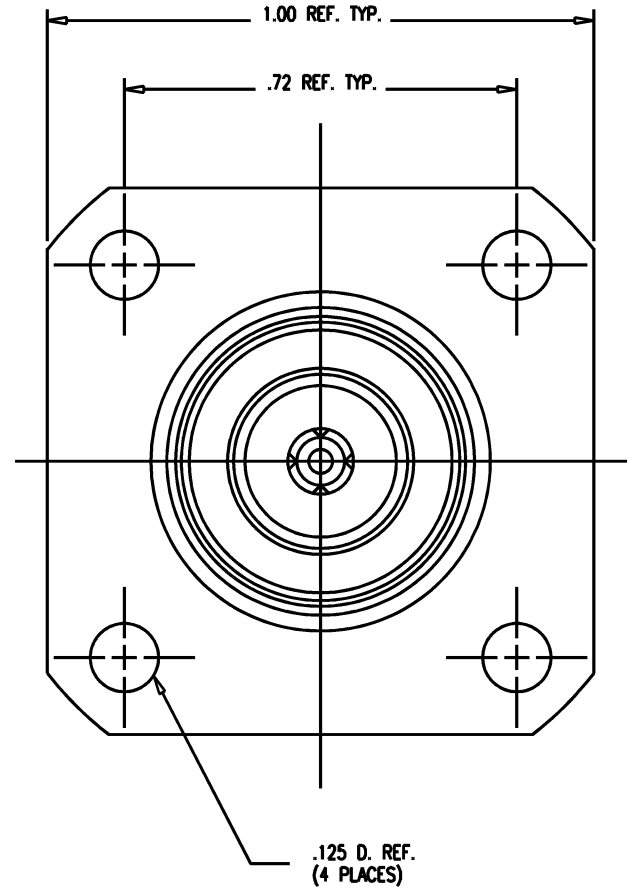
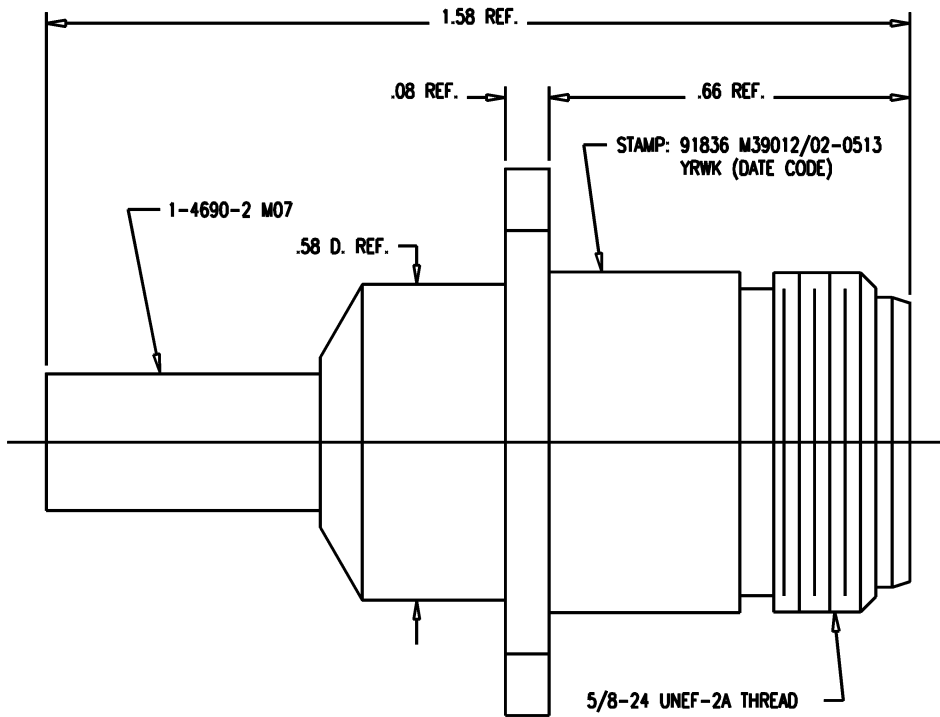


GSD

M39012/02-0513



- NOTES:**
- FOR USE WITH RG-142, 223, & 400/U CABLE GROUPS.
 - FOR CABLING INSTRUCTIONS SEE CP-489.
 - FOR CABLE TRIMMING USE KTJ-162 & KTD-208.
 - FOR FORMING USE CRIMP DIE SIZE 42.
 - INTERFACE PER MIL-STD-348, FIG. 304-2.
 - FOR USE WITH .22 MAX PANEL.
 - CENTER CONTACT (1-534-81 MD9) SUPPLIED UNASSEMBLED.
 - MARK PACKAGE: 91836 M39012/02-0513 YRWK (DATE CODE)
 - MATERIALS:**
 INSULATOR: TEFLON, ASTM-D-1457
 K-GRIP SLEEVE: BRASS, ASTM-B16, H02
 CENTER CONTACT: BER. COP., ASTM-B-196
 ALL OTHER PARTS: BRASS, ASTM-B16
 - FINISHES:**
 CENTER CONTACT: GOLD PLATE PER MIL-45204
 ALL OTHER METAL PARTS: KINGS TARNISH RESISTANT FINISH (TR-5)
 - ELECTRICAL CHARACTERISTICS:**
 NOMINAL IMPEDANCE: 50 OHMS
 VOLTAGE RATING: 1000 VRMS
 FREQUENCY RANGE: DC TO 11 GHz

REVISIONS

| ISSUE | CHANGES |
|-------|---------------------------------------|
| 9 | CN 37859 E REDRAWN TML 07/20/99 |

KN19148S

| | |
|-----------------------|-----------|
| SCALE | 4:1 |
| APPROX SURFACE AREA | KN-19-148 |
| USED ON | |
| REF: | |
| JACK, PANEL, N | |
| DRAWN | AMD |
| DATE | 05/01/87 |
| DESIGN | |
| DATE | |
| APPR. | MJB |
| DATE | 05/07/87 |

KINGS
 ELECTRONICS CO., INC.
 ROCK HILL, SOUTH CAROLINA 29730

M39012/02-0513

GSD