

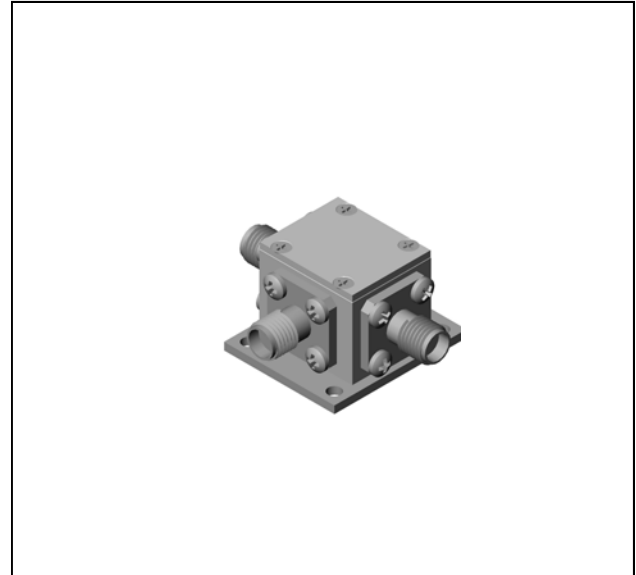
Features

- LO 4 TO 16 GHz
- RF 6 TO 14 GHz
- IF DC TO 2 GHz
- LO DRIVE: +7 dBm (nominal)
- HIGH ISOLATION: 35 dB (TYP.)
- LOW VSWR: < 2.0:1 (TYP.)
- LOW NOISE FIGURE: < 6.0 dB (TYP.)

Description

The M14A is a double balanced mixer, designed for use in military, commercial and test equipment applications. The design utilizes Schottky ring quad diodes and broadband soft dielectric and ferrite baluns to attain excellent performance. This mixer can also be used as a phase detector and/or bi-phase modulator since the IF port is DC coupled to the diodes. The use of high temperature solder and welded assembly processes used internally makes it ideal for use in manual, semi-automated assembly. Environmental screening available to MIL-STD-883, MIL-STD-202, or MIL-DTL-28837, consult factory.

Product Image



Ordering Information

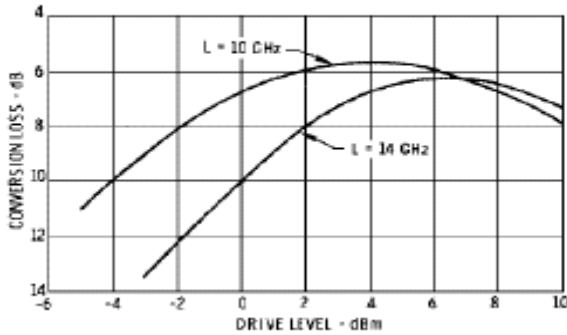
Part Number	Package
M14A	SMA Connectorized

Electrical Specifications: $Z_0 = 50\Omega$ $Lo = +7$ dBm (Downconverter Application only)

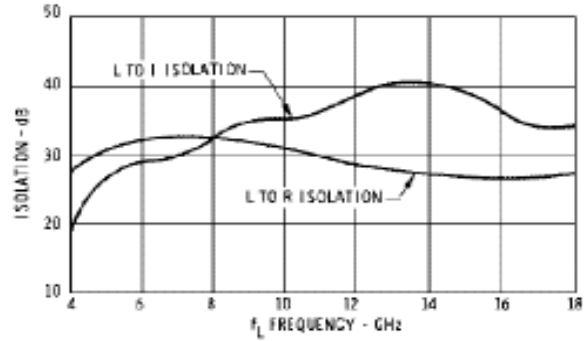
Parameter	Test Conditions	Units	Typical	Guaranteed	
			25°C	0° to 50°C	-54° to +85°C
SSB Conversion Loss & SSB Noise Figure (max)	fR = 6 to 9 GHz , fL = 5 to 10 GHz , fl = 0.05 to 1 GHz fR = 6 to 14 GHz, fL = 4 to 16 GHz, fl = 0.05 to 2 GHz	dB	5.5	8.0	8.5
			7.5	9.0	9.5
Isolation, L to R (min)	fL = 4 to 12 GHz fL = 12 to 16 GHz	dB	35	20	18
			28	15	13
Isolation, L to I (min)	fL = 4 to 6 GHz fL = 6 to 12 GHz fL = 12 to 16 GHz	dB	17	12	10
			35	23	21
			40	28	26
1 dB Conversion Compression	fL @ +7 dBm	dBm	+2		
Input IP3					

Typical Performance Curves

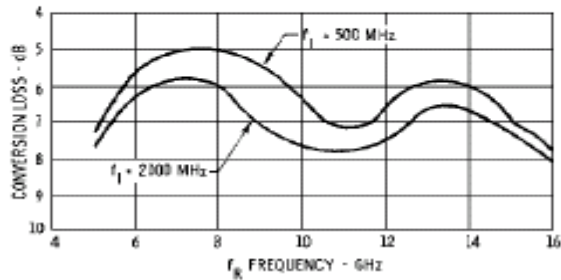
Conversion Loss



Isolation



Conversion Loss vs. Input Frequency



VSWR

