

SMD Resistance Weld Crystal



Model: HC49SSDLF

RoHS Compliant / Pb Free

Rev. 2/7/2007

Page 1 of 2

http://www.foxonline.com/need_a_sample.htm



FEATURES

- Stock Standard
- Fundamental to 50 MHz
- Tape and Reel (1,000 pcs. STD)

OPTIONS

- Tolerances to < 10 PPM
- Stabilities to < 5 PPM
- Temperatures to -40°C ~ +105°C

• PART NUMBER [Learn More](#) - Internet Required

Part Number	Model Number	Frequency Range (MHz)
280LF-Frequency-xxxxx	HC49SSDLF	6.000 ~ 70.000

• STANDARD SPECIFICATIONS¹

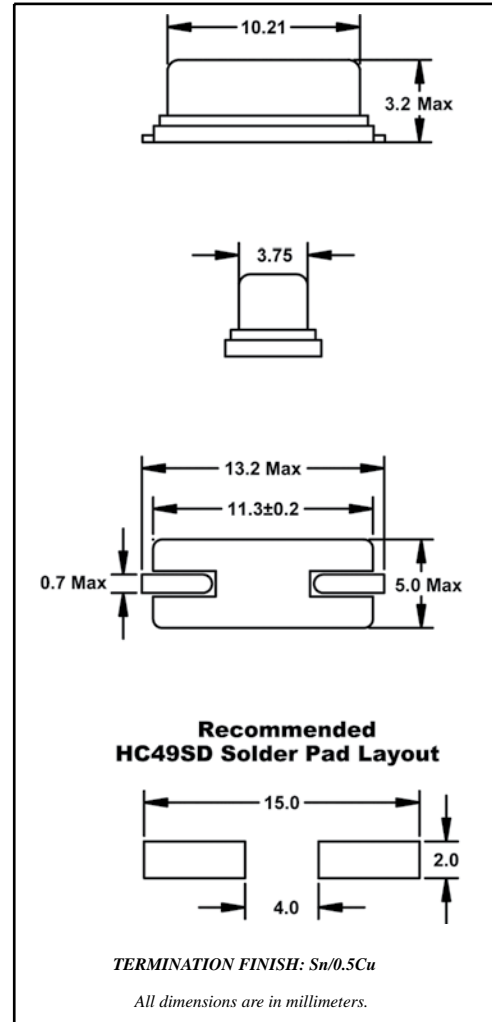
PARAMETERS	MAX (unless otherwise noted)
Frequency Range	6.000 ~ 70.000 MHz
Frequency Tolerance: @ 25°C	±50 PPM ^{1,2}
Frequency Stability, ref @ 25°C Over Operating Temp Range	±50 PPM ¹
Temperature Range	
Operating (TOPR)	-20°C ~ +70°C ¹
Storage (TSTG)	-40°C ~ +85°C
Shunt Capacitance (Co)	7pF
Load Capacitance (CL)	10 pF ~ Series (Customer Specified)
Drive Level	0.5 mW
Aging per year	±5 PPM
Maximum Soldering Temp / Time	260°C / 10 Seconds
Moisture Sensitivity Level (MSL)	1

¹ Other tolerances, stabilities & operating temperature ranges available. Consult Fox Customer Service for specific requirements.

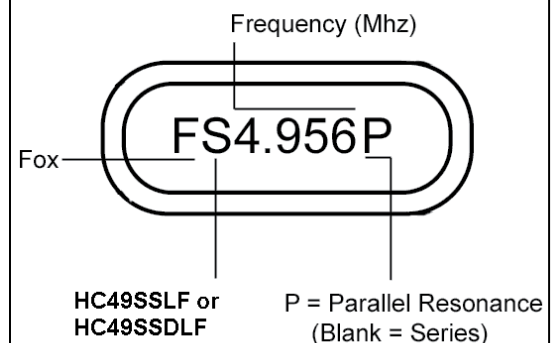
² Crystal has a ±30ppm tolerance specification for all standard part numbers. These part numbers are listed in the Fox catalog on the Standard Crystal table.

All specifications subject to change without notice.

Frequency Range (MHz)	Operating Mode	Max ESR Ω
6.000 ~ 7.000	Fundamental	100
7.000+ ~ 9.000	Fundamental	80
9.000+ ~ 13.000	Fundamental	60
13.000+ ~ 20.000	Fundamental	40
20.000+ ~ 50.000	Fundamental	30
27.000 ~ 70.000	3rd OT	100



HC49SSLF/HC49SSDLF Marking Format



SMD Resistance Weld Crystal



Model: HC49SSDLF

RoHS Compliant / Pb Free

Rev. 2/7/2007

Page 2 of 2

http://www.foxonline.com/need_a_sample.htm



• TAPE SPECIFICATIONS (millimeters)						
MODEL	A	B	C	D	E	Reel QTY
HC49SSDLF	∅1.5	4.0	12.0	11.5	24.0	1,000

• REEL SPECIFICATIONS (millimeters)							
MODEL	G	H	I	J	K	L	M
HC49SSDLF	2.0	∅13	∅21	∅80	∅330	25.5	2.0

