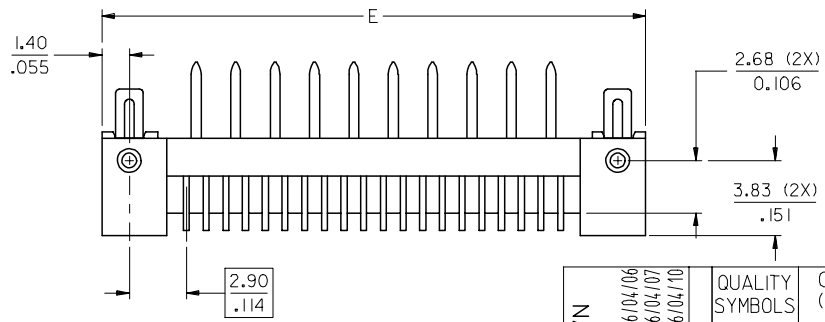
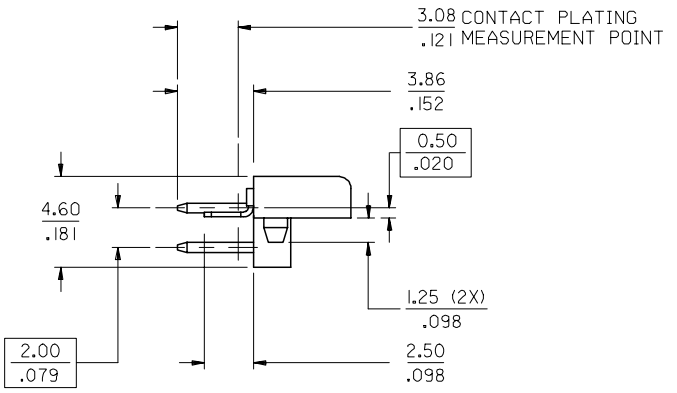
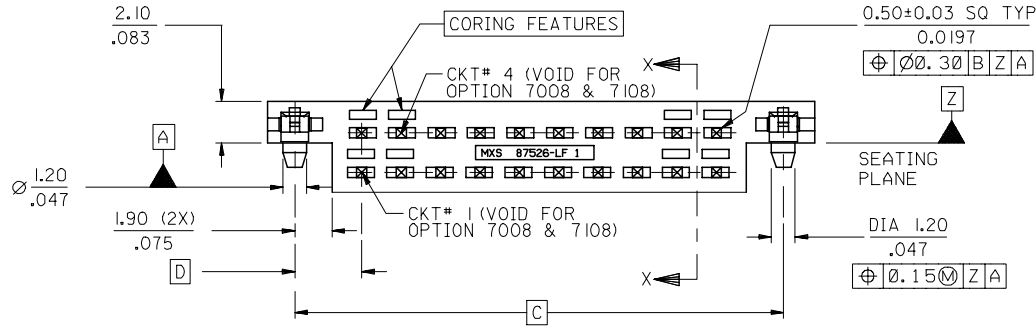
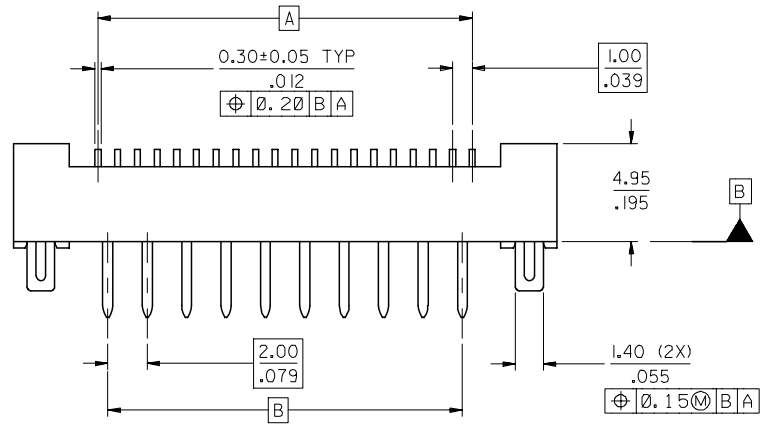


PART NO.	CKT SIZE	A	B	C	D	E	PACKAGING
87526-7208	20 WITH #1	19.00	18.00	24.80	3.40	27.60	T/REEL
87526-7308	& #4 VOID	(0.748)	(0.709)	(0.976)	(0.134)	(1.087)	TUBE



- NOTES:
- PRODUCT SPEC.: PS-87526-0001 APPLIES.
 - COPLANARITY OF SOLDER TAILS AND FITTING NAILS ARE TO BE MEASURED BY RESTING THE PART ON A FLAT GAGED SURFACE
 - MATERIALS:
 - HOUSING - LCP, GLASS FILLED, UL94 V-0, COLOR: BLACK
 - TERMINALS - PHOS BRONZE WITH PLATING 0.38um MIN. GOLD ON MATING END
2.54um MIN. OVERALL TIN ON SOLDER TAIL BOTH OVER
1.27um MIN. NICKEL UNDERPLATE
 - FITTING NAILS - BRASS WITH PLATING 1.90um MIN. TIN OVER 1.30um NICKEL UNDERPLATE
 - CKT 20 SHOWN FOR REFERENCE ONLY
 - SECONDARY DIMENSIONS FOR REFERENCE ONLY

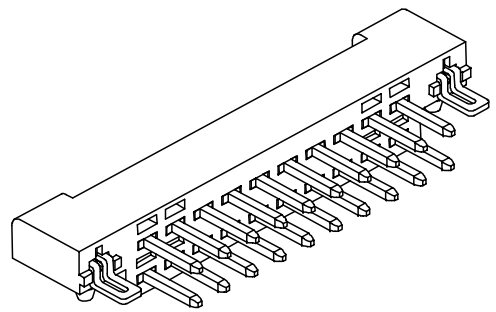
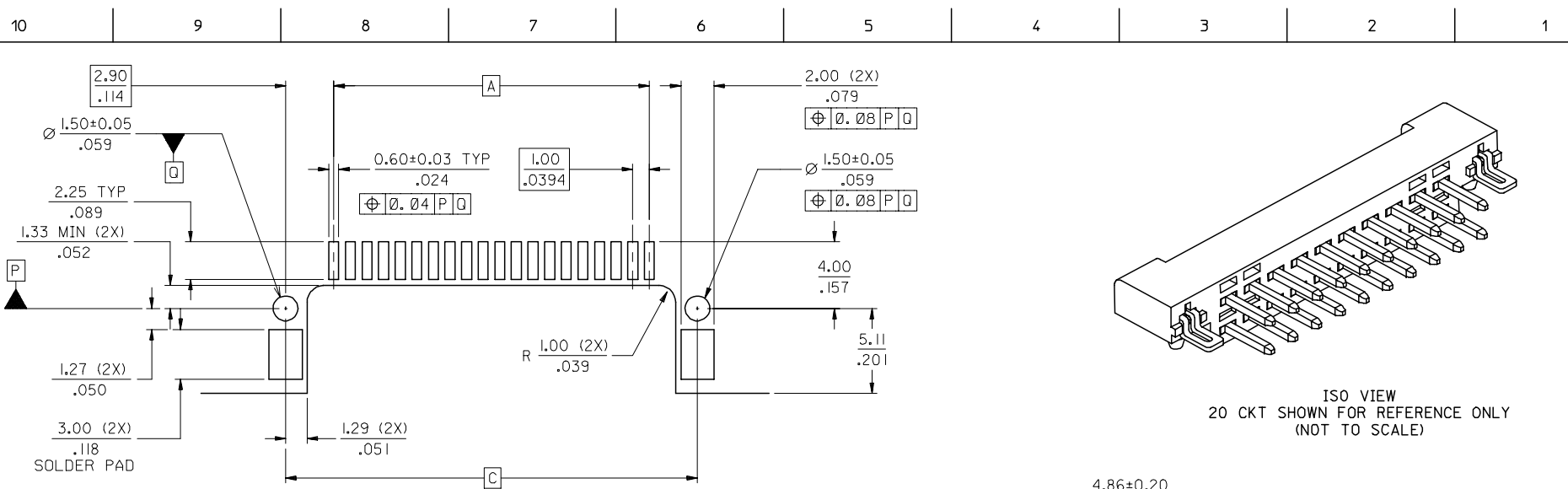
OBS TIN/LEAD P/N	2006/04/06
EC NO: S2006-0884	2006/04/07
DRWN:MLONG	2006/04/07
CHKD:SHFONG	2006/04/10
APPR:KCLING	2006/04/10

QUALITY SYMBOLS	DESCRIPTION
▽=0	
▽=0	

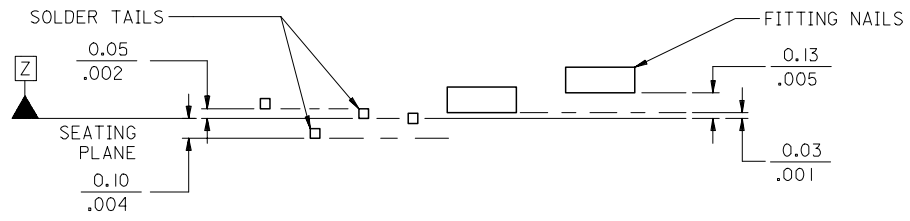
GENERAL TOLERANCES (UNLESS SPECIFIED)	
4 PLACES	± ---
3 PLACES	± ---
2 PLACES	± 0.13
1 PLACE	± ---
ANGULAR ± 3 °	
DRAFT WHERE APPLICABLE MUST REMAIN WITHIN DIMENSIONS	

DIMENSION STYLE	
MM/IN	
DRAWN BY	DATE
DK0H	2001/09/21
CHECKED BY	DATE
KCLING	2001/10/12
APPROVED BY	DATE
SKT0H	2001/10/12
MATERIAL NO.	
SEE TABLE	

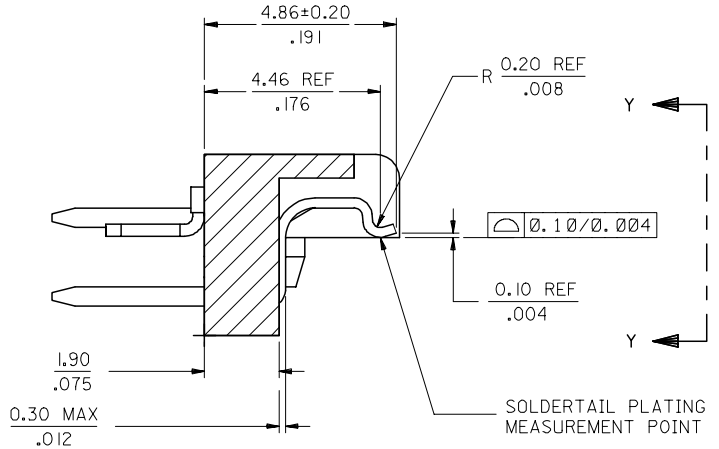
SCALE	DESIGN UNITS	THIRD ANGLE PROJECTION
NTS	METRIC	☉
TITLE		
MGRID, I/O HEADER (2.10MM ABOVE PCB) WITH FITTING NAILS		
MOLEX INCORPORATED		
DOCUMENT NO.	SHEET NO.	
SD-87526-004	1 OF 3	



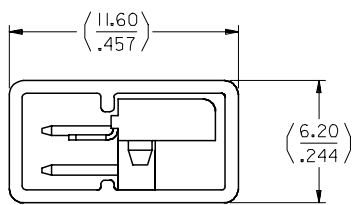
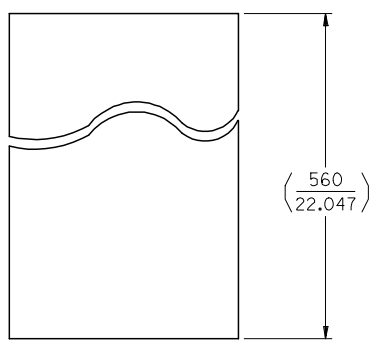
RECOMMENDED PCB LAYOUT



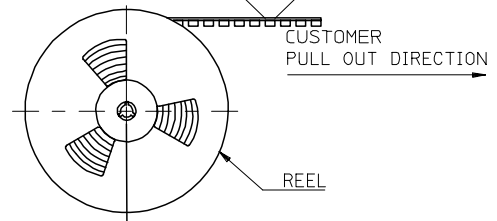
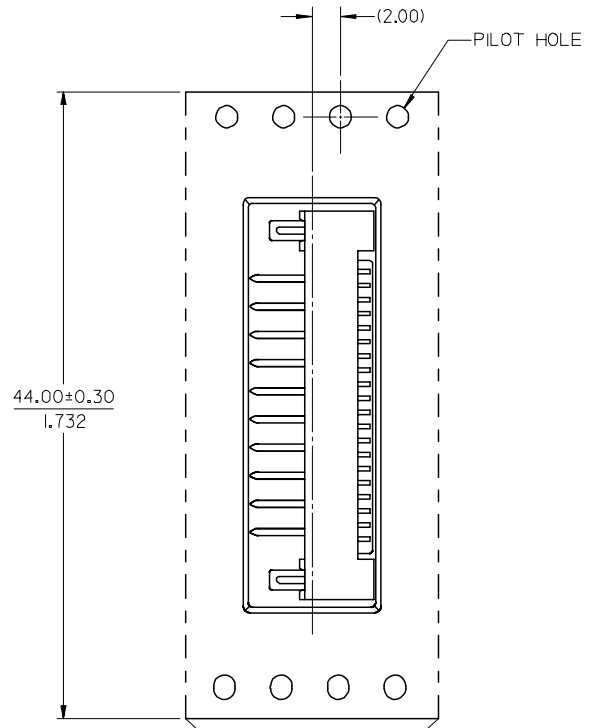
VIEW Z-Z
COPLANARITY CONTROL
(FOR ILLUSTRATION ONLY)



OBS TIN/LEAD P/N EC NO: S2006-0884 DRWN:MLONG CHKD:SHFONG APPR:KCLING	2006/04/06 2006/04/07 2006/04/10	DESCRIPTION REV	QUALITY SYMBOLS	GENERAL TOLERANCES (UNLESS SPECIFIED)	DIMENSION STYLE	SCALE	DESIGN UNITS	THIRD ANGLE PROJECTION
			▽=0 ∇=0	MM/IN	MM/IN	NTS	METRIC	
				4 PLACES ± --- ± --- 3 PLACES ± --- ± --- 2 PLACES ± 0.13 ± --- 1 PLACE ± --- ± ---	DRAWN BY DATE DKOH 2001/09/21	TITLE	MGRID, I/O HEADER (2.10MM ABOVE PCB) WITH FITTING NAILS	
				ANGULAR ± 3 °	CHECKED BY DATE KCLING 2001/10/12	MOLEX INCORPORATED		
			DRAFT WHERE APPLICABLE MUST REMAIN WITHIN DIMENSIONS	APPROVED BY DATE SKTOH 2001/10/12	SEE TABLE	DOCUMENT NO. SD-87526-004	SHEET NO. 2 OF 3	

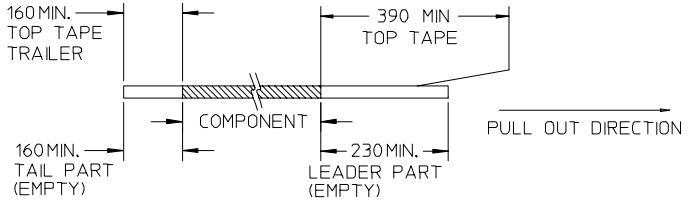


TUBE ORIENTATION
(19 PCS/TUBE)

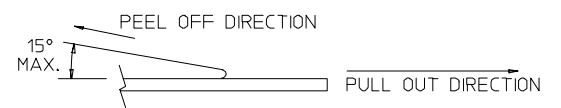


NOTES:

1. LEADER AND TRAILER TAPE



2. PEELING OFF FORCE OF THE TOP TAPE: 20-80gf.
(PEELING DIRECTION AS SHOWN IN FOLLOWING FIGURE)



3. PACKAGING STANDARD IS AS PER EIA-481.

4. TAPE & REEL QUANTITY = 1000PCS/REEL

OBS TIN/LEAD P/N	EC NO: S2006-0884	2006/04/06
	DRWN:MLONG	2006/04/07
	CHKD:SHFONG	2006/04/07
	APPR:KCLING	2006/04/10
D	REV	DESCRIPTION

QUALITY SYMBOLS	▽=0
	▽=0

GENERAL TOLERANCES (UNLESS SPECIFIED)	mm	INCH
	4 PLACES ± ---	± ---
	3 PLACES ± ---	± ---
	2 PLACES ± 0.13	± ---
	1 PLACE ± ---	± ---
	ANGULAR ± 3 °	
DRAFT WHERE APPLICABLE MUST REMAIN WITHIN DIMENSIONS		

DIMENSION STYLE		SCALE	DESIGN UNITS	THIRD ANGLE PROJECTION
MM/IN		NTS	METRIC	
DRAWN BY	DATE	TITLE		
DK0H	2001/09/21	MGRID, I/O HEADER (2.10MM ABOVE PCB) WITH FITTING NAILS		
CHECKED BY	DATE			
KCLING	2001/10/12	MOLEX INCORPORATED		
APPROVED BY	DATE			
SKTOH	2001/10/12	MATERIAL NO.		
SEE TABLE		DOCUMENT NO.		SHEET NO.
A3		SD-87526-004		3 OF 3