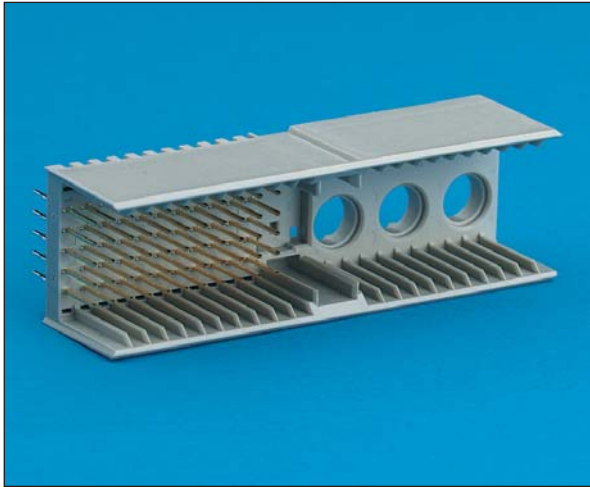


Type M Vertical Male Feed-To for Backplanes



Series 8075

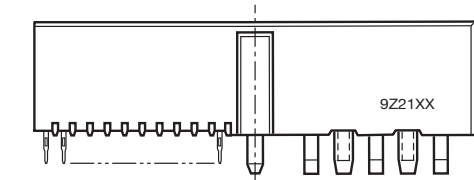
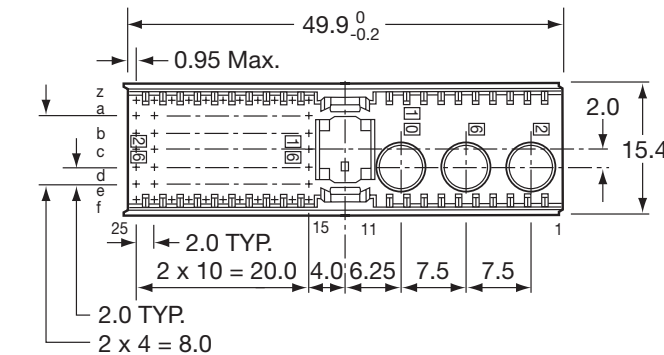


- 3 power contact cavities
- 55 signal contacts
- Center cavity with prealignment guides and keying option
- See pages 52 and 53 for keying options
- Designed for gas tight press-fit installation
- Supplied with locating pegs for secure P.C. board mounting
- Power and coax contacts are ordered separately
- See pages 54 and 55 for available contacts
- Twelve different signal contact styles are available for customizing connector to exact specifications (see page 58)

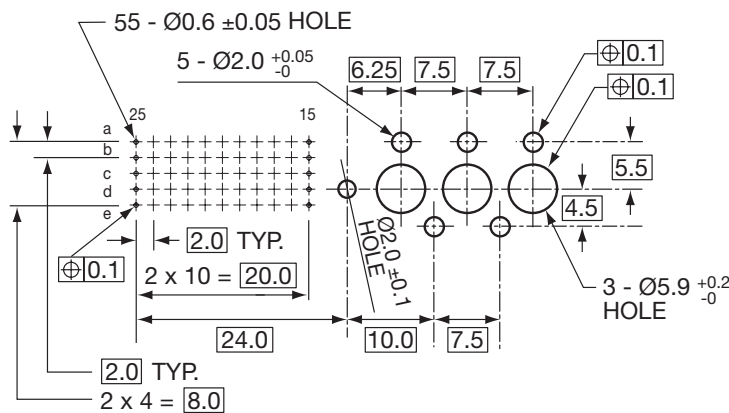
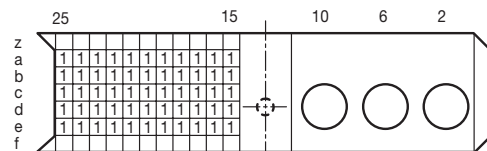


17 8075 355 501 863+ = Type M 3 position power connector with polarizing key, with 55 signal contacts, L1

Plating Code	Contact Area	Press-fit Area	Under Coat
863	0.76µm min. Au	1.5-3.0µm Sn	1.2-3.0µm Ni



CONTACT LAYOUT (CONNECTOR MATING SIDE SHOWN)



RECOMMENDED P.C. BOARD LAYOUT (COMPONENT SIDE)

