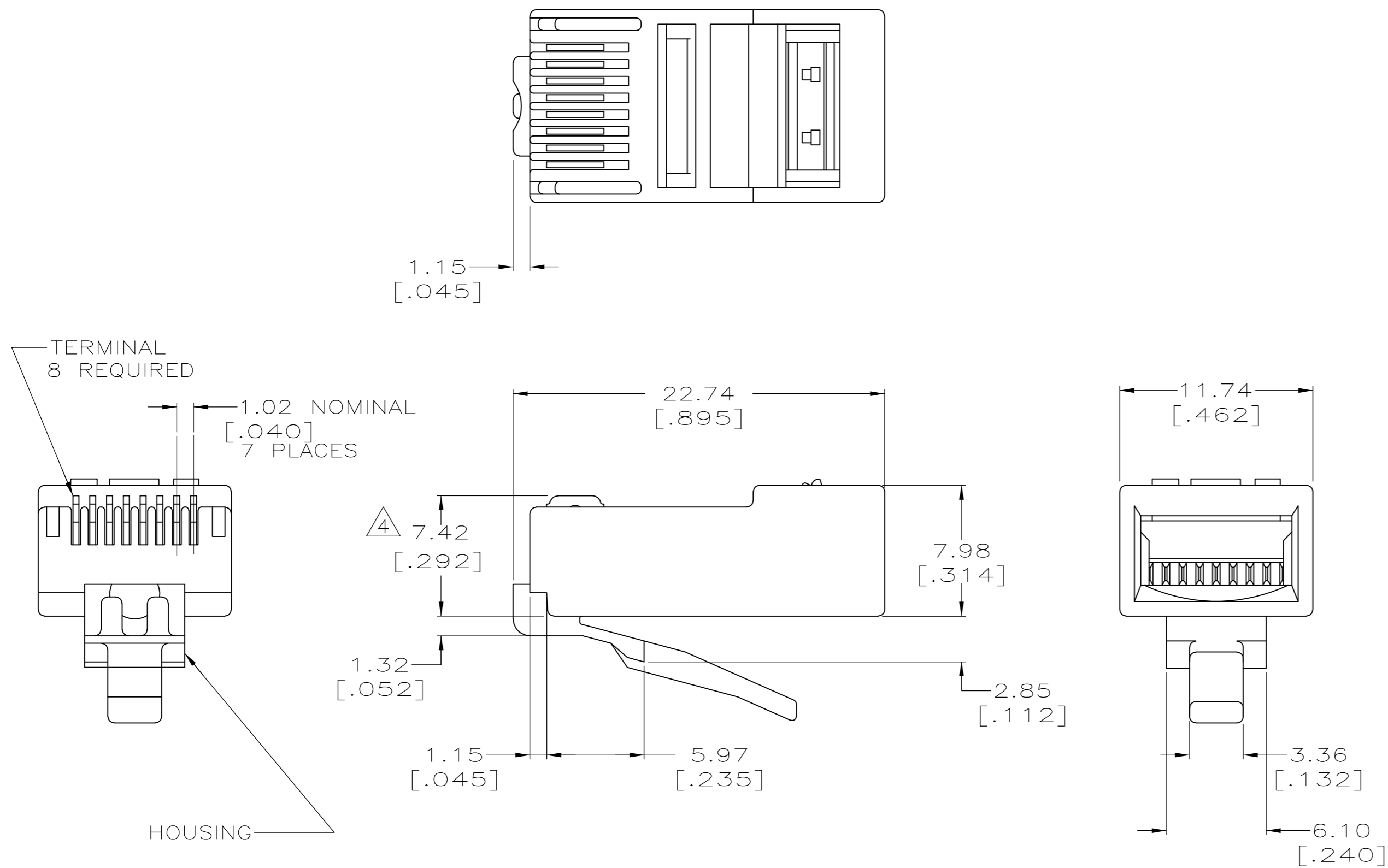


THIS DRAWING IS UNPUBLISHED. RELEASED FOR PUBLICATION
 © COPYRIGHT - By - ALL RIGHTS RESERVED.

LOC		DIST		REVISIONS			
P	LTR	DESCRIPTION		DATE	DWN	APVD	
	Z	REV PER ECO-12-012918		05JUL2012	JM	JG	

- ① MATERIAL: HOUSING-POLYCARBONATE,CLEAR. TERMINAL-0.36[.014] THICK PHOSPHOR BRONZE PLATED WITH 1.27μm[.000050] THICK GOLD IN LOCALIZED GOLD PLATE AREA, OVER 2.54μm[.000100] THICK NICKEL UNDERPLATE.
- ② DIMENSIONS ARE MAXIMUM UNLESS OTHERWISE SPECIFIED.
- ③ PLUG WILL ACCEPT 0.74-0.99[.029-.039] DIAMETER STRANDED WIRE, 26 OR 28 AWG, WITH A 5.34[.210] DIAMETER MAXIMUM JACKET.
- ④ TERMINATED DIMENSION 6.15[.242] MAXIMUM.
- ⑤ 10 ASSEMBLIES PER PACKAGE
- ⑥ 10,000 ASSEMBLIES PER PACKAGE.
- ⑦ 500 ASSEMBLIES PER PACKAGE.
- ⑧ 100 ASSEMBLIES PER PACKAGE.
- ⑩ SEE RESTRICTED CUSTOMER DRAWING 5-554169-5.
- ⑪ 100 ASSEMBLIES PER PACKAGE.



SUPERSEDED BY 5-554169-3	⑪	6-554169-5
SUPERSEDED BY 5-554169-3	⑤	6-554169-3
	-	⑩
	⑧	5-554169-3
	⑦	5-554169-2
	⑥	5-554169-1
PACKAGED		PART NO

THIS DRAWING IS A CONTROLLED DOCUMENT.		DWN	8-30-93	TE TE Connectivity	
DIMENSIONS: mm [INCHES]		YTP/JTA	9-15-93		
TOLERANCES UNLESS OTHERWISE SPECIFIED:		CHK	C.WHITT	NAME	
0 PLC ± -		APVD	J.TONEY		
1 PLC ± -		PRODUCT SPEC	108-1163	MODULAR PLUG ASSEMBLY, 8 POSITION, ROUND CABLE	
2 PLC ± -		APPLICATION SPEC	114-6016		
3 PLC ± -		WEIGHT	-	SIZE	A2
4 PLC ± -		CAGE CODE	00779	DRAWING NO	C=554169
ANGLES ± -		RESTRICTED TO	-	SCALE	4:1
FINISH		SCALE	4:1	SHEET	1 OF 1
MATERIAL		CUSTOMER DRAWING		REV	Z