

General Description

The LR4558 consists of two high performance operational amplifiers. The IC features high gain, high input resistance, excellent channel separation, wide range of operating voltage and internal frequency compensation. It can work with $\pm 18V$ maximum power supply voltage.

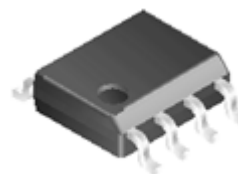
The LR4558 is specifically suitable for applications in differential-in, differential-out as well as in potential-metric amplifiers and where gain and phase matched channels are mandatory.

The LR4558 is available in DIP-8 or SOIC-8 package.

Features

- Internal Frequency Compensation
- Large DC Voltage Gain with 100 dB Typical
- High Input Resistance with $5M\Omega$ Typical
- Maximum Power Supply Voltages: $\pm 18V$

LR4558



SOIC-8

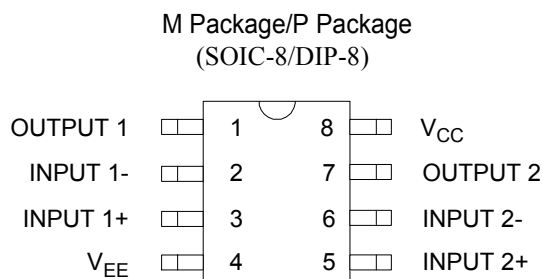


DIP-8

Applications

- Audio AC-3 Decoder System
- Audio Amplifier

Pin Configuration

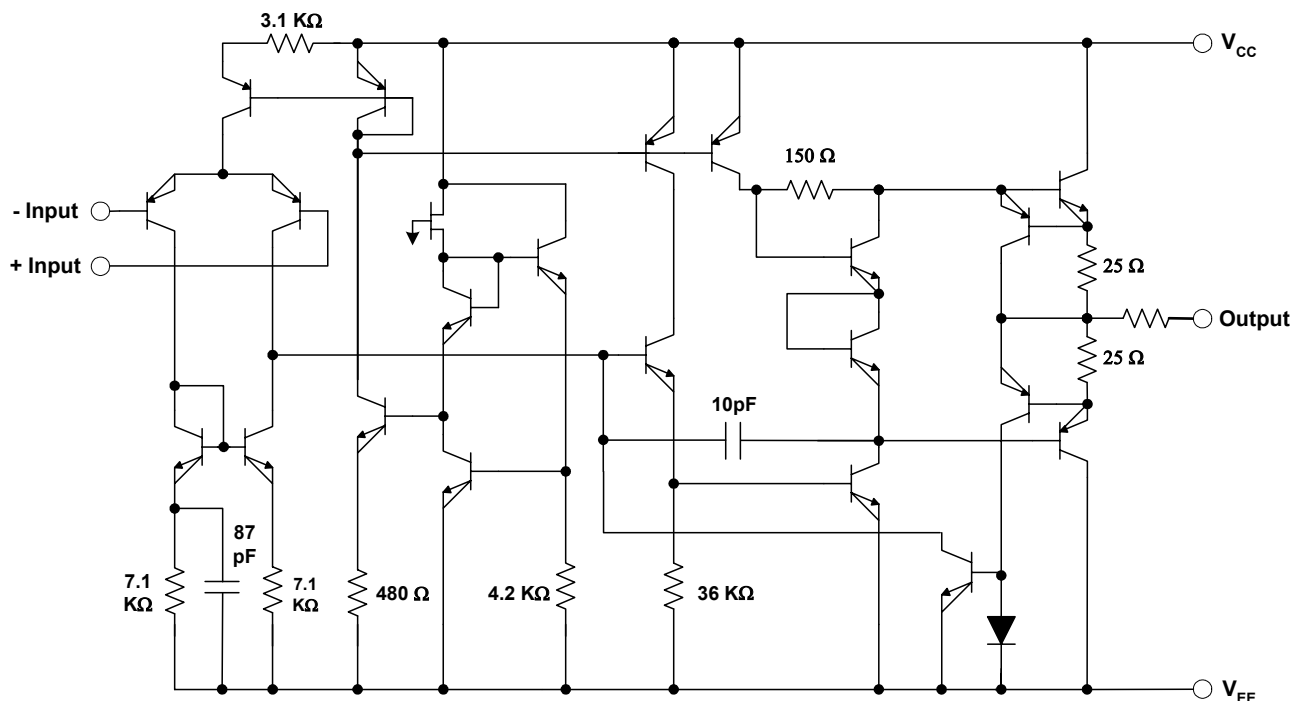


Top View

Pin Configuration of LR4558

LR4558

Functional Block Diagram



Representative Schematic Diagram of LR4558 (Each amplifier)

Absolute Maximum Ratings

Parameter	Symbol	Value	Unit
Power Supply Voltage	V _{CC}	+ 22	V
	V _{EE}	- 22	
Differential Input Voltage	V _{ID}	± 18	V
Input Voltage	V _{IC}	± 15	V
Operating Temperature Range	T _{OP}	-40 to 85	°C
Storage Temperature Range	T _{STG}	-65 to 150	°C

LR4558

Electrical Characteristics

Parameter	Conditions	Min	Typ	Max	Unit
Input Offset Voltage			2	6.0	mV
Input Bias Current	$V_{CM} = 0V$		30	500	nA
Input Offset Current	$V_{CM} = 0V$		5	200	nA
Supply Current	$R_L = \infty$, Over full temperature range		3.5	5.6	mA
Large Signal Voltage Gain	$R_L < 2K$, $V_{O(P-P)} = 10V/-10V$		20	200	V/mV
Common Mode Rejection Ratio	$R_s < 10K?$		70	90	dB
Power Supply Rejection Ratio	$R_s < 10K?$		76	90	dB
Output Voltage Swing	$R_L \geq 2K\Omega$	± 10	± 13		V
	$R_L \geq 10K\Omega$	± 12	± 14		

Typical Performance Characteristics

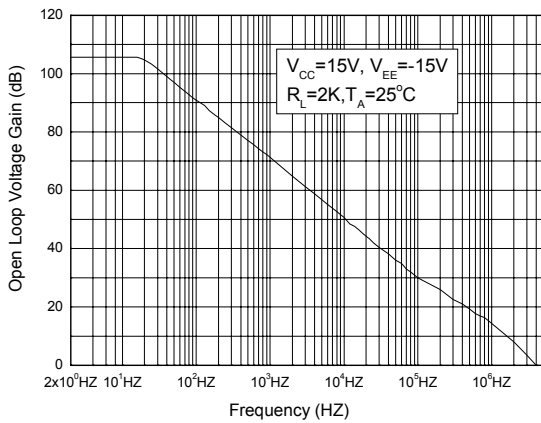


Figure 1. Open Loop Voltage Gain vs. Frequency

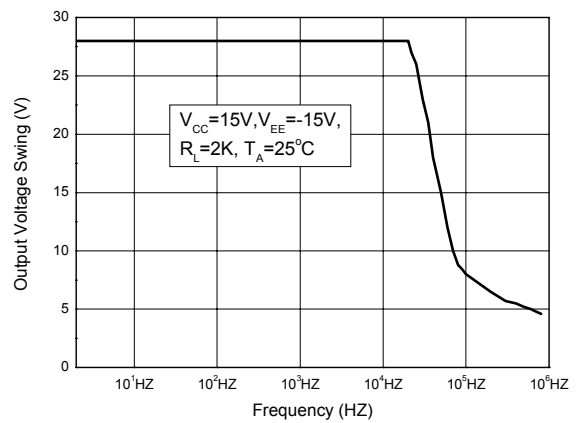


Figure 2. Maximum Output Voltage Swing vs. Frequency

LR4558

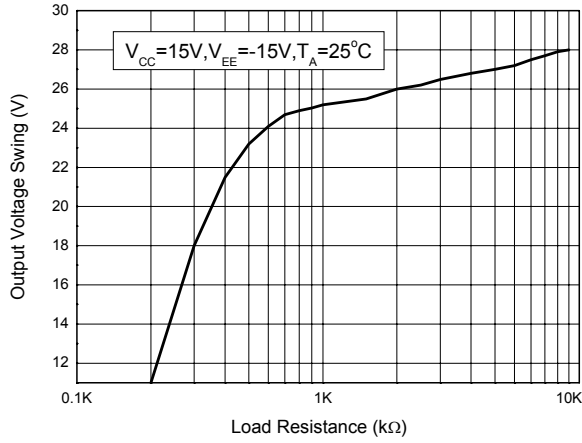


Figure 3. Maximum Output Voltage Swing vs. Load Resistance

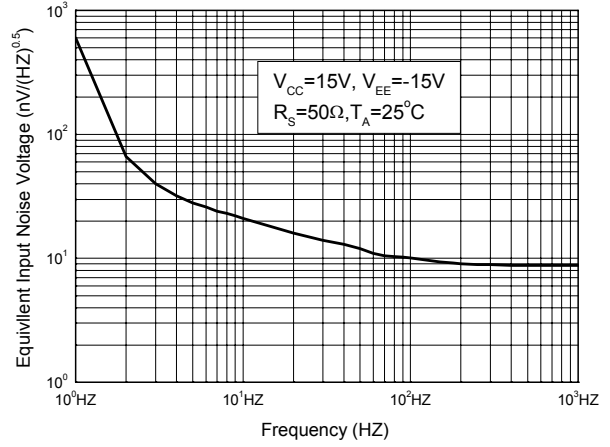


Figure 4. Equivalent Input Noise Voltage vs. Frequency

Typical Performance Characteristics (Continued)

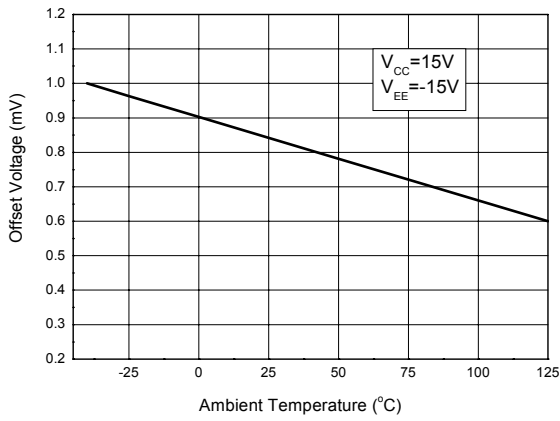


Figure 5. Input Offset Voltage vs. Temperature

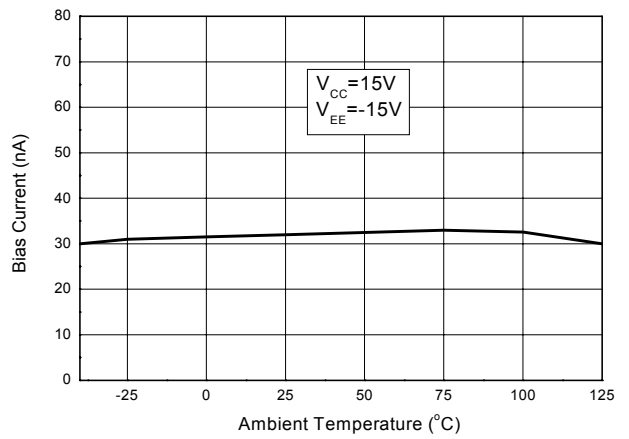


Figure 6. Input Bias Current vs. Temperature

LR4558

Typical Application

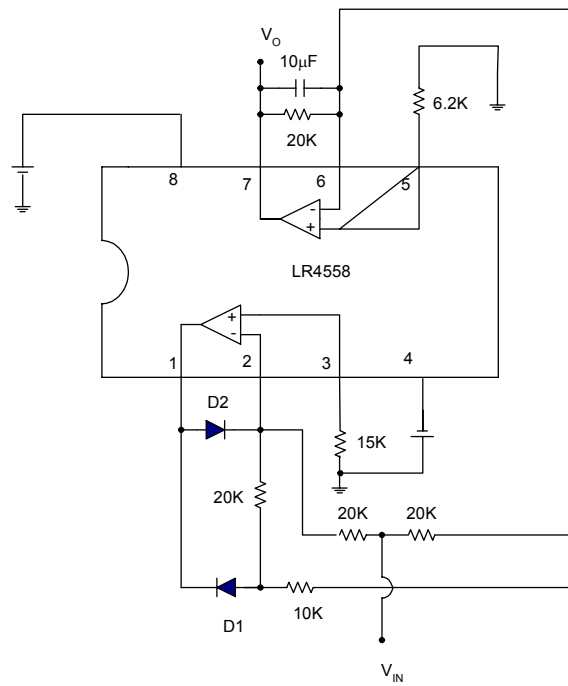


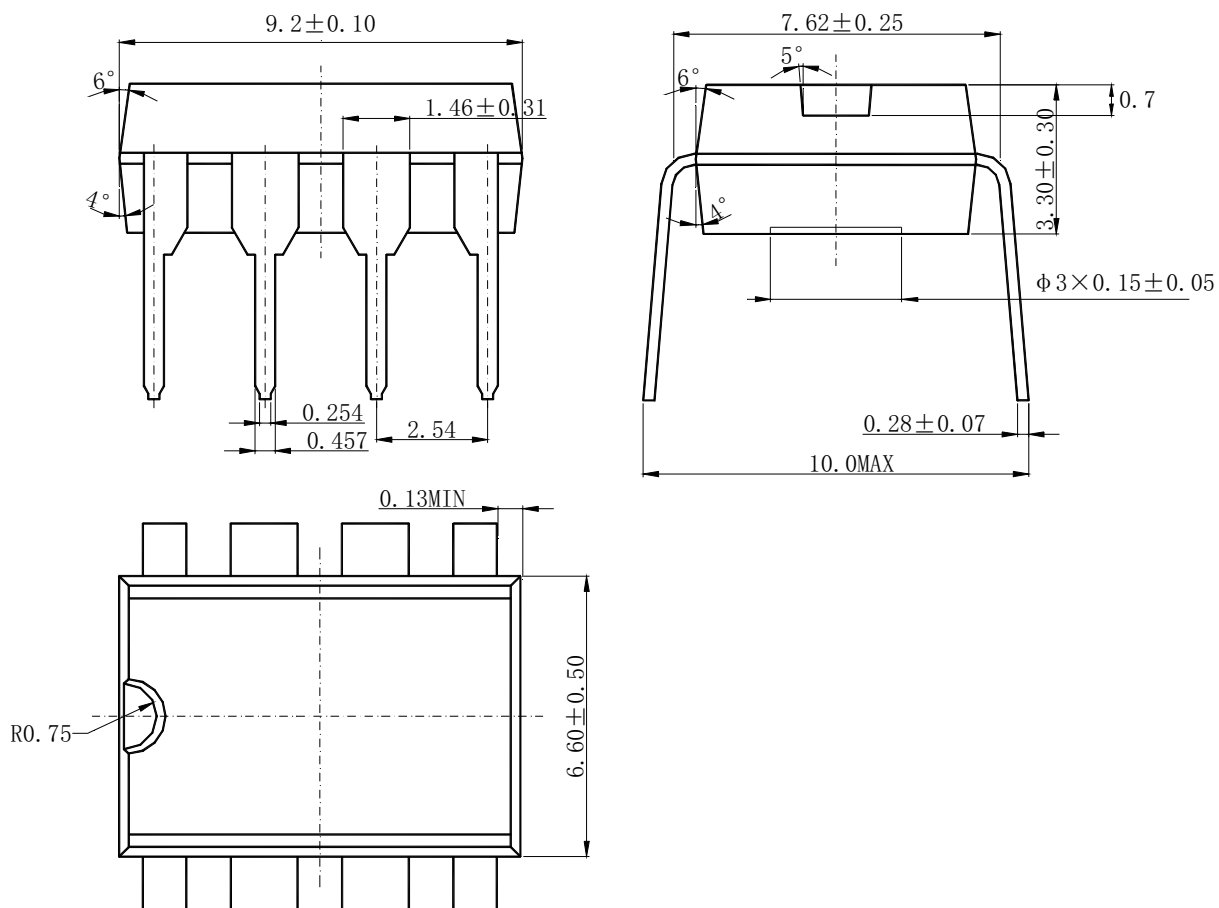
Figure 7. Application of LR4558 in an AC/DC Converter

LR4558

Mechanical Dimensions

DIP - 8

Unit: mm

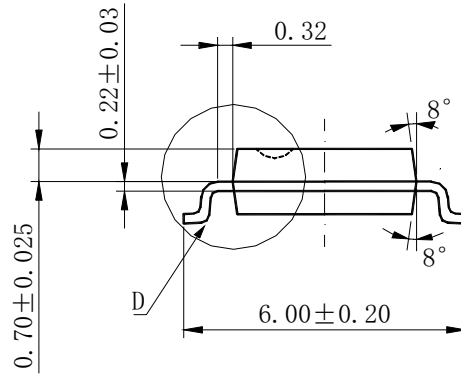
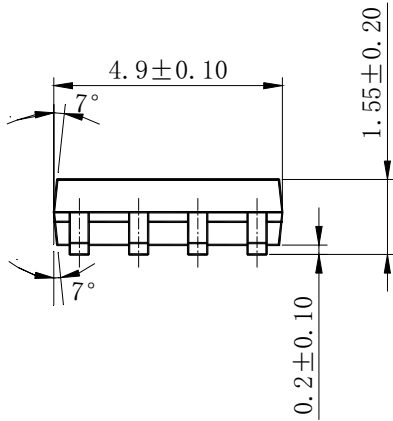


LR4558

Mechanical Dimensions (Continued)

SOIC - 8

Unit: mm



$\frac{D}{20:1}$

