

**Not Recommended
For
New Designs**

Features

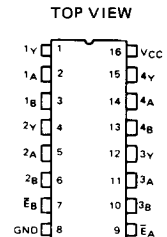
- SINGLE POWER SUPPLY
- HIGH NOISE IMMUNITY
- INDUSTRIAL AND MILITARY GRADES
- DRIVE CAPACITY 300pF
- SOURCE CURRENT 4mA
- SINK CURRENT 6mA
- PROPAGATION DELAY 50nsec MAX.

Description

The HD-6433 is a self-aligned silicon gate CMOS bus separator/driver. This circuit consists of 8 drivers organized as 4 pairs of bus separators which allow a unidirectional input bus and a unidirectional output bus to be interfaced with a bi-directional bus.

Outputs guaranteed valid at VCC 2.0V for Battery Backup Applications.

Pinout

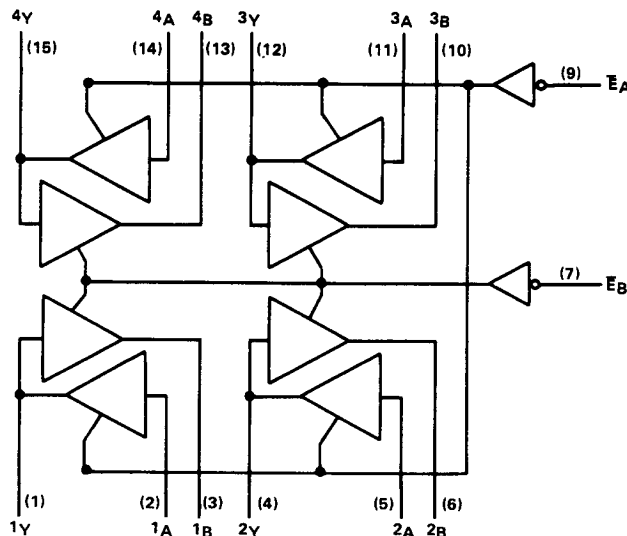


Truth Table

CONTROL INPUTS		FUNCTION		
\bar{E}_A	\bar{E}_B	A	B	Y
L	L	I	O	O
L	H	I	D	O
H	L	D	O	I
H	H	ISOLATED		

I = Input, O = Output,
D = Disconnected

Functional Diagram



CAUTION: Electronic devices are sensitive to electrostatic discharge. Proper I.C. handling procedures should be followed.