

< IGBT MODULES >

# CM1400DUC-24S

HIGH POWER SWITCHING USE  
INSULATED TYPE



Dual switch (Half-Bridge)

Collector current  $I_C$  ..... **1 4 0 0 A**  
 Collector-emitter voltage  $V_{CES}$  ..... **1 2 0 0 V**  
 Maximum junction temperature  $T_{jmax}$  ..... **1 7 5 °C**

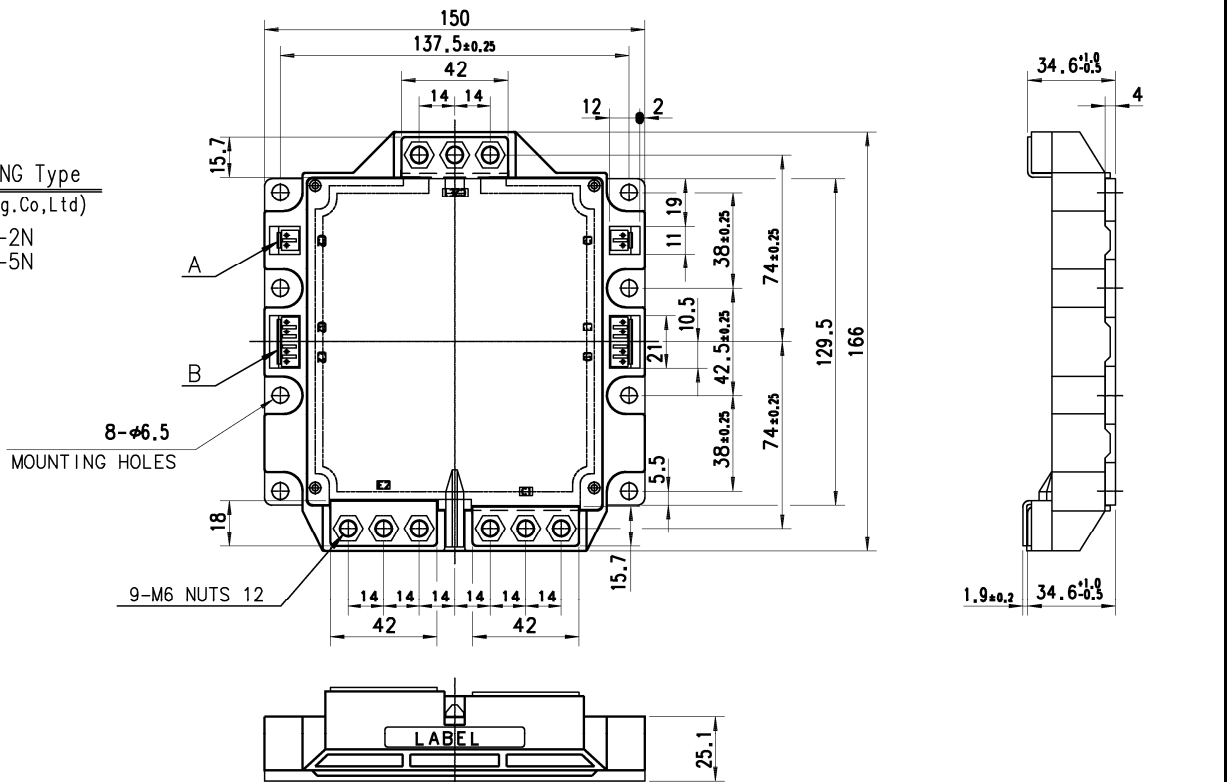
- Flat base Type
- Copper base plate (non-plating)
- RoHS Directive compliant

## APPLICATION

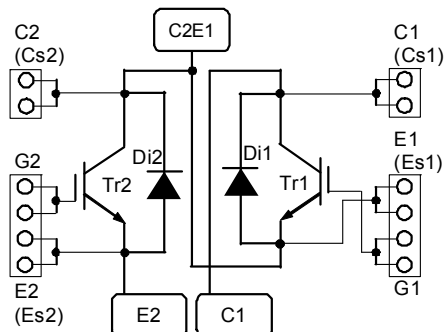
Wind power, Photovoltaic (Solar) power, AC Motor Control, Motion/Servo Control, Power supply, etc.

## OUTLINE DRAWING & INTERNAL CONNECTION

A,B HOUSING Type  
(J.S.T.Mfg.Co.,Ltd)  
 A : VHR-2N  
 B : VHR-5N



### INTERNAL CONNECTION



Tolerance otherwise specified

Division of Dimension	Tolerance
0.5 to 3	±0.2
over 3 to 6	±0.3
over 6 to 30	±0.5
over 30 to 120	±0.8
over 120 to 400	±1.2

## CM1400DUC-24S

HIGH POWER SWITCHING USE  
INSULATED TYPEABSOLUTE MAXIMUM RATINGS ( $T_j=25\text{ }^\circ\text{C}$ , unless otherwise specified)

Symbol	Item	Conditions	Rating	Unit
$V_{CES}$	Collector-emitter voltage	G-E short-circuited	1200	V
$V_{GES}$	Gate-emitter voltage	C-E short-circuited	$\pm 20$	V
$I_C$	Collector current	DC, $T_C=124\text{ }^\circ\text{C}$ (Note2, 4)	1400	A
$I_{CRM}$		Pulse, Repetitive (Note3)	2800	
$P_{tot}$	Total power dissipation	$T_C=25\text{ }^\circ\text{C}$ (Note2, 4)	9375	W
$I_E$ (Note1)	Emitter current	(Note2)	1400	A
$I_{ERM}$ (Note1)		Pulse, Repetitive (Note3)	2800	
$V_{isol}$	Isolation voltage	Terminals to base plate, RMS, f=60 Hz, AC 1 min	4000	V
$T_{jmax}$	Maximum junction temperature	-	175	$^\circ\text{C}$
$T_{Cmax}$	Maximum case temperature	(Note4)	125	$^\circ\text{C}$
$T_{jop}$	Operating junction temperature	-	-40 ~ +150	$^\circ\text{C}$
$T_{stg}$	Storage temperature	-	-40 ~ +125	

ELECTRICAL CHARACTERISTICS ( $T_j=25\text{ }^\circ\text{C}$ , unless otherwise specified)

Symbol	Item	Conditions	Limits			Unit	
			Min.	Typ.	Max.		
$I_{CES}$	Collector-emitter cut-off current	$V_{CE}=V_{CES}$ , G-E short-circuited	-	-	1.0	mA	
$I_{GES}$	Gate-emitter leakage current	$V_{GE}=V_{GES}$ , C-E short-circuited	-	-	3.0	$\mu\text{A}$	
$V_{GE(th)}$	Gate-emitter threshold voltage	$I_C=140\text{ mA}$ , $V_{CE}=10\text{ V}$	5.4	6.0	6.6	V	
$V_{CEsat}$	Collector-emitter saturation voltage	$I_C=1400\text{ A}$ (Note6), $V_{GE}=15\text{ V}$ , (Terminal)	$T_j=25\text{ }^\circ\text{C}$	-	1.55	1.90	V
			$T_j=125\text{ }^\circ\text{C}$	-	1.75	-	
			$T_j=150\text{ }^\circ\text{C}$	-	1.80	-	
			$I_C=1400\text{ A}$ , $V_{GE}=15\text{ V}$ , (Chip)				
$C_{ies}$	Input capacitance	$V_{CE}=10\text{ V}$ , G-E short-circuited	-	-	150	nF	
$C_{oes}$	Output capacitance		-	-	30		
$C_{res}$	Reverse transfer capacitance		-	-	2.5		
$Q_G$	Gate charge	$V_{CC}=600\text{ V}$ , $I_C=1400\text{ A}$ , $V_{GE}=15\text{ V}$	-	3500	-	nC	
$t_{d(on)}$	Turn-on delay time	$V_{CC}=600\text{ V}$ , $I_C=1400\text{ A}$ , $V_{GE}=\pm 15\text{ V}$ , $R_G=0\text{ }\Omega$ , Inductive load	-	-	900	ns	
$t_r$	Rise time		-	-	250		
$t_{d(off)}$	Turn-off delay time		-	-	950		
$t_f$	Fall time		-	-	350		
$V_{EC}$ (Note1)	Emitter-collector voltage	$I_E=1400\text{ A}$ (Note6), G-E short-circuited, (Terminal)	$T_j=25\text{ }^\circ\text{C}$	-	1.65	2.10	V
			$T_j=125\text{ }^\circ\text{C}$	-	1.65	-	
			$T_j=150\text{ }^\circ\text{C}$	-	1.65	-	
			$I_E=1400\text{ A}$ , G-E short-circuited, (Chip)		-	1.65	-
$t_{rr}$ (Note1)	Reverse recovery time	$V_{CC}=600\text{ V}$ , $I_E=1400\text{ A}$ , $V_{GE}=\pm 15\text{ V}$ , $R_G=0\text{ }\Omega$ , Inductive load	-	-	450	ns	
$Q_{rr}$ (Note1)	Reverse recovery charge	$R_G=0\text{ }\Omega$ , Inductive load	-	90	-	$\mu\text{C}$	
$E_{on}$	Turn-on switching energy per pulse	$V_{CC}=600\text{ V}$ , $I_C=I_E=1400\text{ A}$ ,	-	82.2	-	mJ	
$E_{off}$	Turn-off switching energy per pulse	$V_{GE}=\pm 15\text{ V}$ , $R_G=0\text{ }\Omega$ , $T_j=150\text{ }^\circ\text{C}$ ,	-	260	-		
$E_{rr}$ (Note1)	Reverse recovery energy per pulse	Inductive load	-	122	-	mJ	
$R_{CC+EE}$	Internal lead resistance	Main terminals-chip, per switch, $T_C=25\text{ }^\circ\text{C}$ (Note4)	-	0.286	-	m $\Omega$	
$r_g$	Internal gate resistance	Per switch	-	1.7	-	$\Omega$	

# CM1400DUC-24S

HIGH POWER SWITCHING USE  
INSULATED TYPE

## THERMAL RESISTANCE CHARACTERISTICS

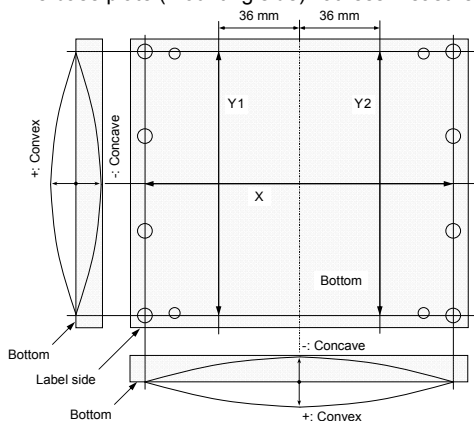
Symbol	Item	Conditions	Limits			Unit
			Min.	Typ.	Max.	
$R_{th(j-c)Q}$	Thermal resistance (Note4)	Junction to case, per Inverter IGBT	-	-	16	K/kW
$R_{th(j-c)D}$		Junction to case, per Inverter FWDi	-	-	26	
$R_{th(c-s)}$	Contact thermal resistance (Note4)	Case to heat sink, per 1 module, Thermal grease applied (Note7)	-	6	-	K/kW

## MECHANICAL CHARACTERISTICS

Symbol	Item	Conditions	Limits			Unit
			Min.	Typ.	Max.	
$M_t$	Mounting torque	Main terminals M 6 screw	3.5	4.0	4.5	N·m
$M_s$		Mounting to heat sink M 6 screw	3.5	4.0	4.5	
$d_s$	Creepage distance	Terminal to terminal	24	-	-	mm
		Terminal to base plate	33	-	-	
$d_a$	Clearance	Terminal to terminal	14	-	-	mm
		Terminal to base plate	33	-	-	
$m$	Weight	-	-	1450	-	g
$e_c$	Flatness of base plate	On the centerline X, Y1, Y2 (Note5)	-50	-	+100	$\mu$ m

Note1. Represent ratings and characteristics of the anti-parallel, emitter-collector free wheeling diode (FWDi).

2. Junction temperature ( $T_j$ ) should not increase beyond  $T_{jmax}$  rating.
3. Pulse width and repetition rate should be such that the device junction temperature ( $T_j$ ) dose not exceed  $T_{jmax}$  rating.
4. Case temperature ( $T_c$ ) and heat sink temperature ( $T_s$ ) are defined on the each surface (mounting side) of base plate and heat sink just under the chips. Refer to the figure of chip location.
5. Pulse width and repetition rate should be such as to cause negligible temperature rise.  
Refer to the figure of test circuit.
6. Typical value is measured by using thermally conductive grease of  $\lambda=0.9$  W/(m·K).
7. The base plate (mounting side) flatness measurement points (X, Y1, Y2) are as follows of the following figure.



8. The company name and product names herein are the trademarks and registered trademarks of the respective companies.

# CM1400DUC-24S

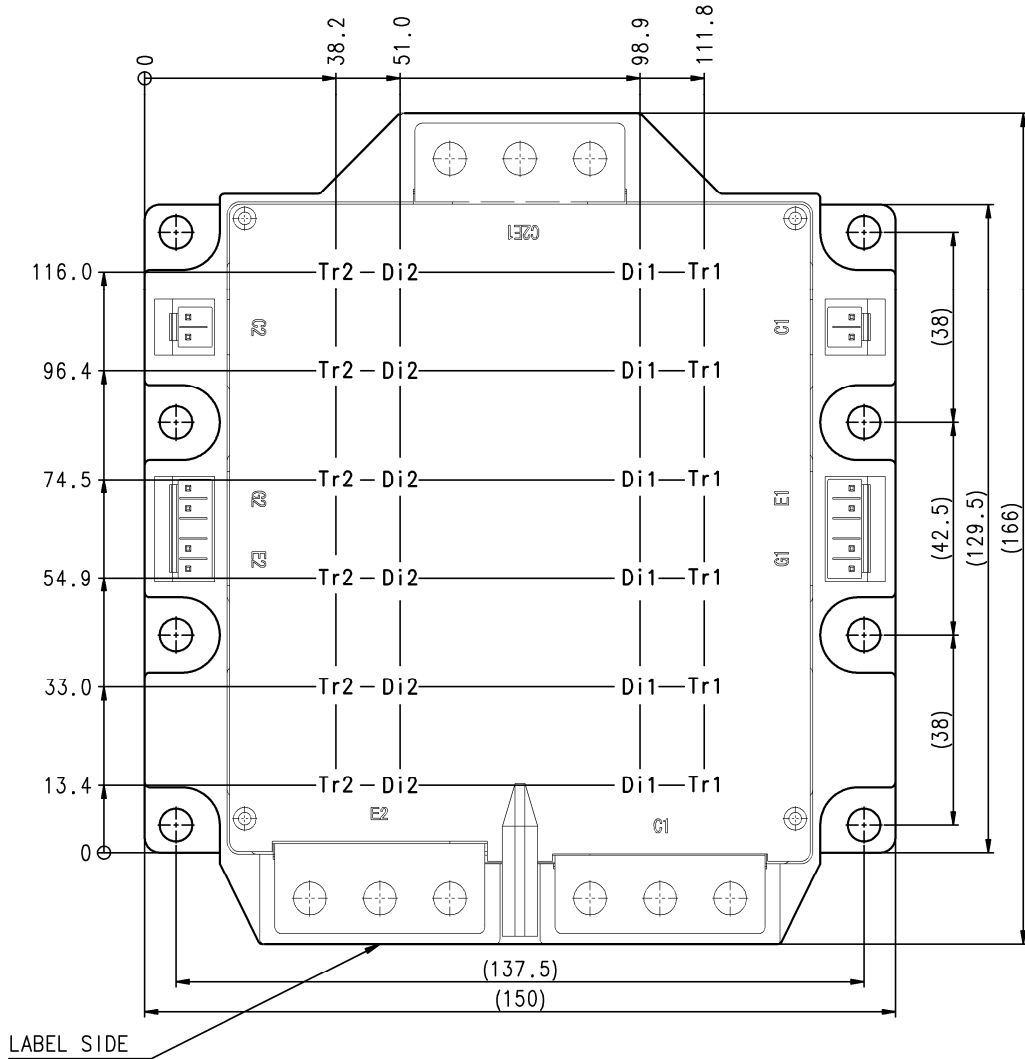
**HIGH POWER SWITCHING USE  
INSULATED TYPE**

## RECOMMENDED OPERATING CONDITIONS

Symbol	Item	Conditions	Limits			Unit
			Min.	Typ.	Max.	
$V_{CC}$	(DC) Supply voltage	Applied across P-N terminals	-	600	850	V
$V_{GEon}$	Gate (-emitter drive) voltage	Applied across G-Es terminals	13.5	15.0	16.5	V
$R_G$	External gate resistance	Per switch	0	-	2.2	$\Omega$

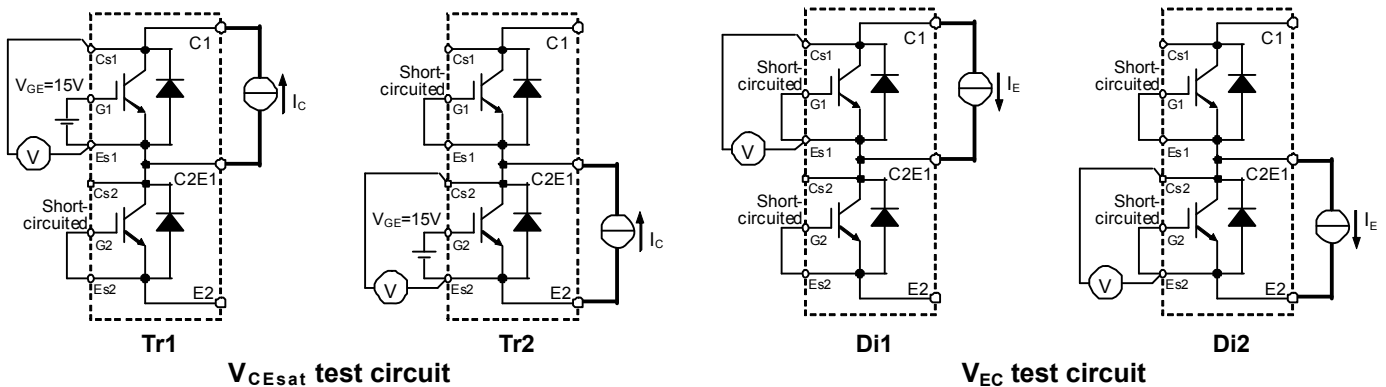
### CHIP LOCATION (Top view)

Dimension in mm, tolerance:  $\pm 1$  mm

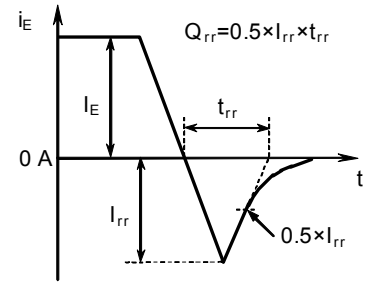
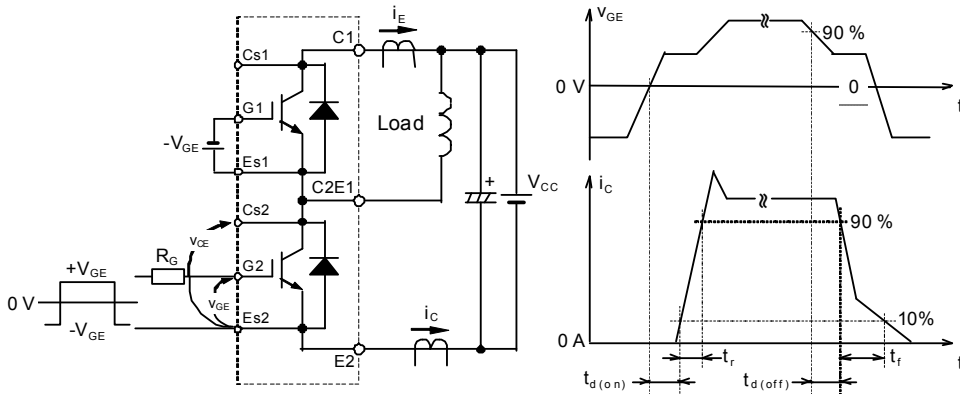


Tr1/Tr2: IGBT, Di1/Di2: FWDi

### TEST CIRCUIT

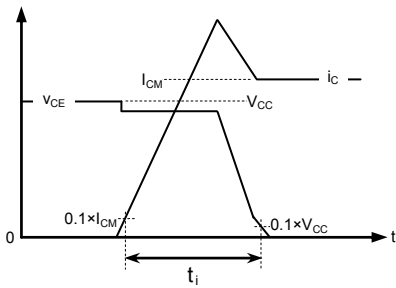


**TEST CIRCUIT AND WAVEFORMS**

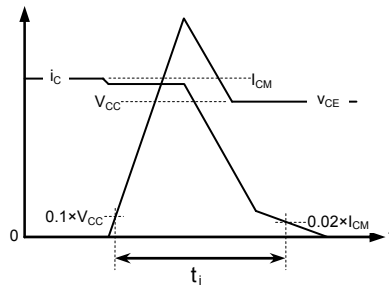


**Switching characteristics test circuit and waveforms**

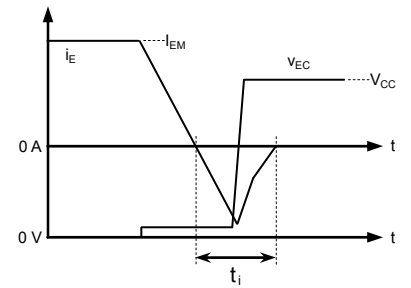
**$t_{rr}$ ,  $Q_{rr}$  test waveform**



**IGBT Turn-on switching energy**



**IGBT Turn-off switching energy**

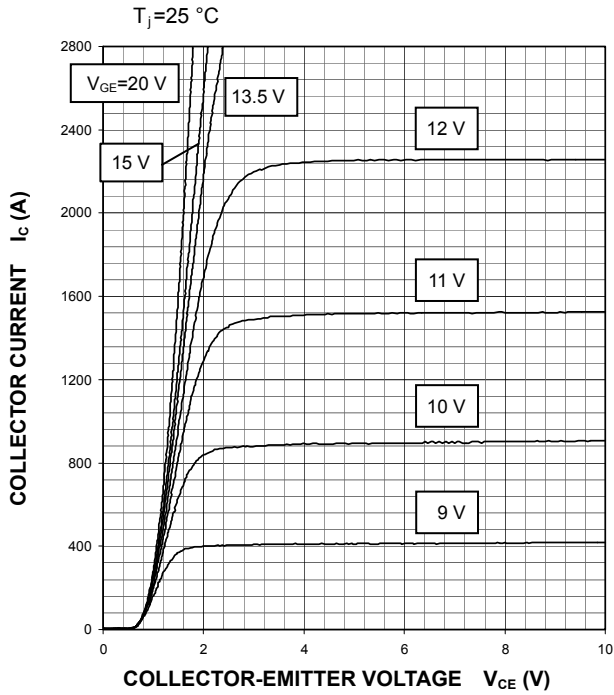


**FWDi Reverse recovery energy**

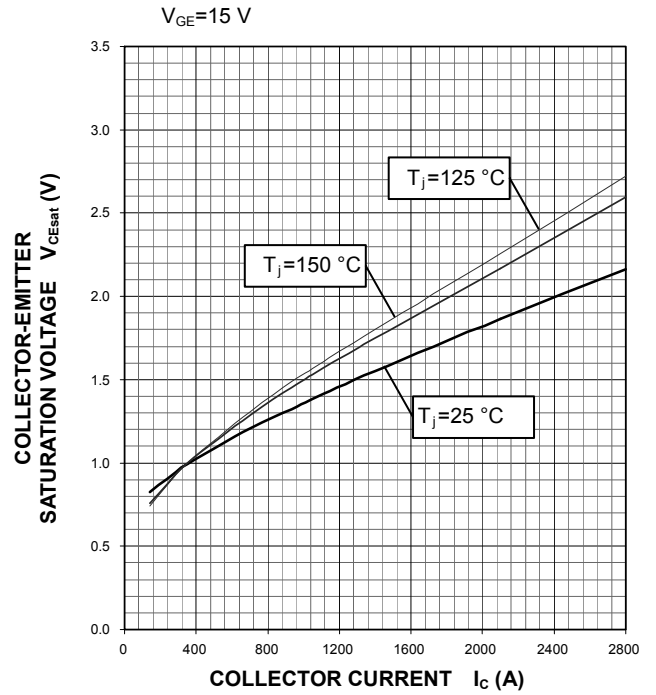
Turn-on / Turn-off switching energy and Reverse recovery energy test waveforms (Integral time instruction drawing)

PERFORMANCE CURVES

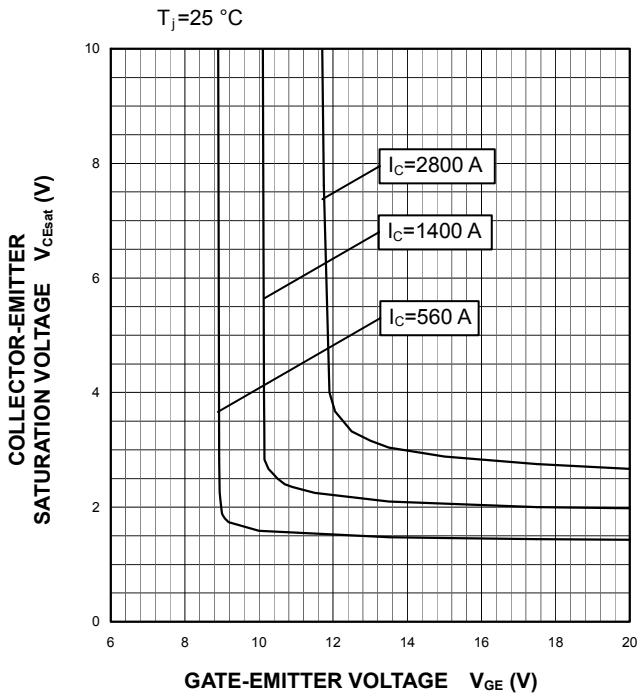
OUTPUT CHARACTERISTICS  
(TYPICAL)



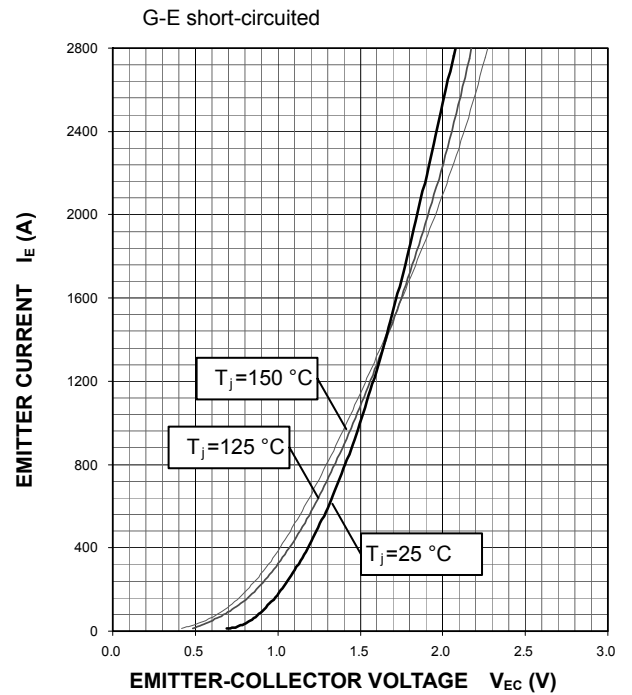
COLLECTOR-EMITTER SATURATION  
VOLTAGE CHARACTERISTICS  
(TYPICAL)



COLLECTOR-EMITTER SATURATION  
VOLTAGE CHARACTERISTICS  
(TYPICAL)



FREE WHEELING DIODE  
FORWARD CHARACTERISTICS  
(TYPICAL)



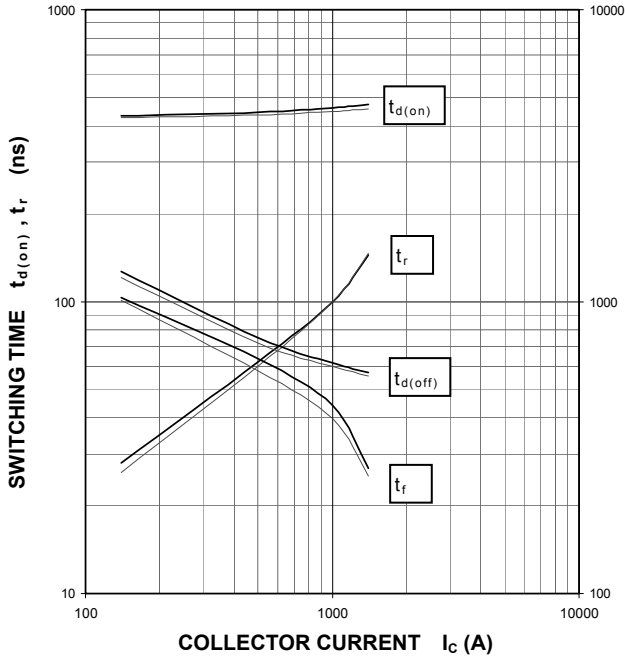
# CM1400DUC-24S

HIGH POWER SWITCHING USE  
INSULATED TYPE

## PERFORMANCE CURVES

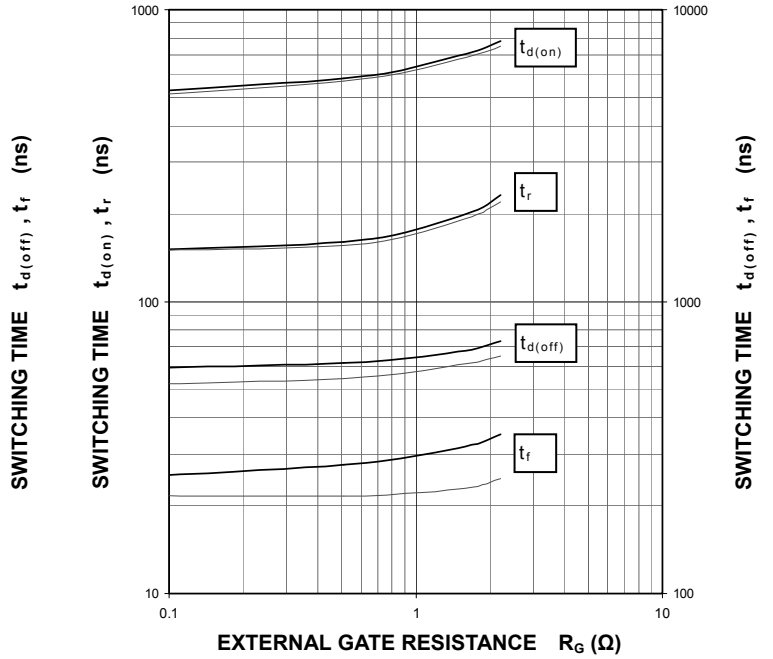
**HALF-BRIDGE SWITCHING CHARACTERISTICS (TYPICAL)**

$V_{CC}=600\text{ V}$ ,  $V_{GE}=\pm 15\text{ V}$ ,  $R_G=0\ \Omega$ , INDUCTIVE LOAD  
 —:  $T_j=150\text{ }^\circ\text{C}$ , - - - -:  $T_j=125\text{ }^\circ\text{C}$



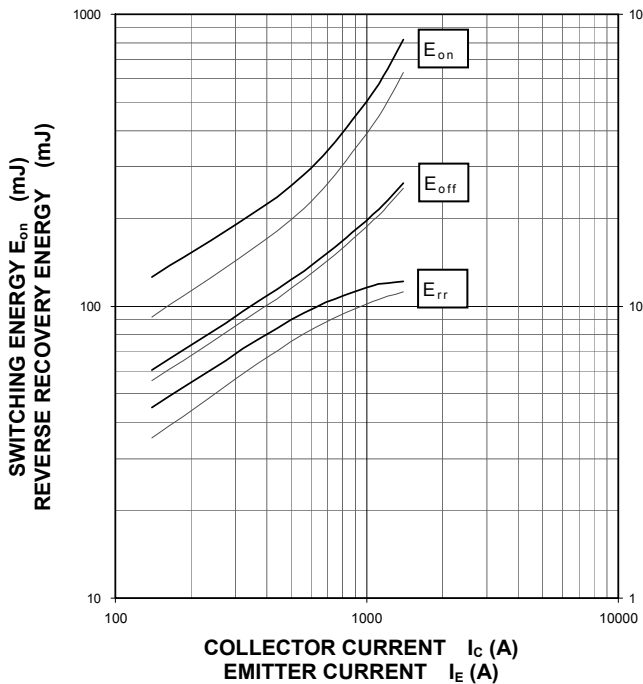
**HALF-BRIDGE SWITCHING CHARACTERISTICS (TYPICAL)**

$V_{CC}=600\text{ V}$ ,  $I_C=1400\text{ A}$ ,  $V_{GE}=\pm 15\text{ V}$ , INDUCTIVE LOAD  
 —:  $T_j=150\text{ }^\circ\text{C}$ , - - - -:  $T_j=125\text{ }^\circ\text{C}$



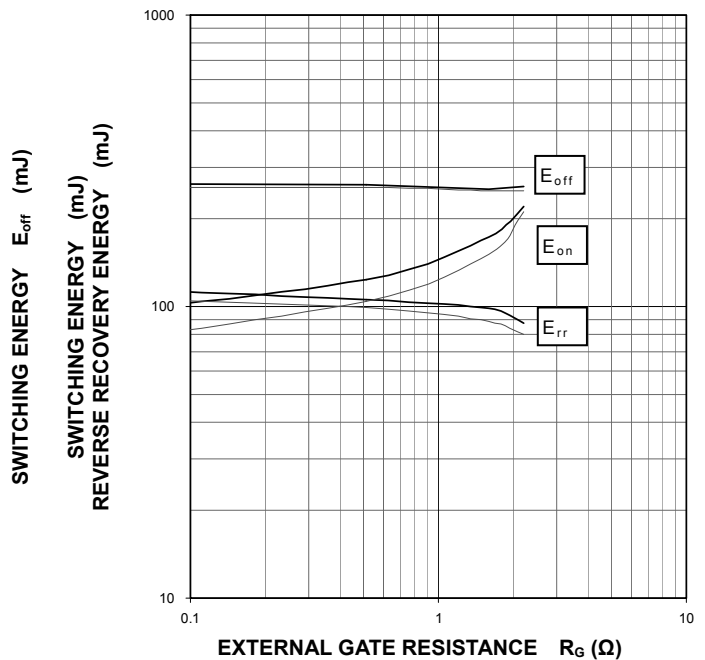
**HALF-BRIDGE SWITCHING CHARACTERISTICS (TYPICAL)**

$V_{CC}=600\text{ V}$ ,  $V_{GE}=\pm 15\text{ V}$ ,  $R_G=0\ \Omega$ ,  
INDUCTIVE LOAD, PER PULSE  
 —:  $T_j=150\text{ }^\circ\text{C}$ , - - - -:  $T_j=125\text{ }^\circ\text{C}$



**HALF-BRIDGE SWITCHING CHARACTERISTICS (TYPICAL)**

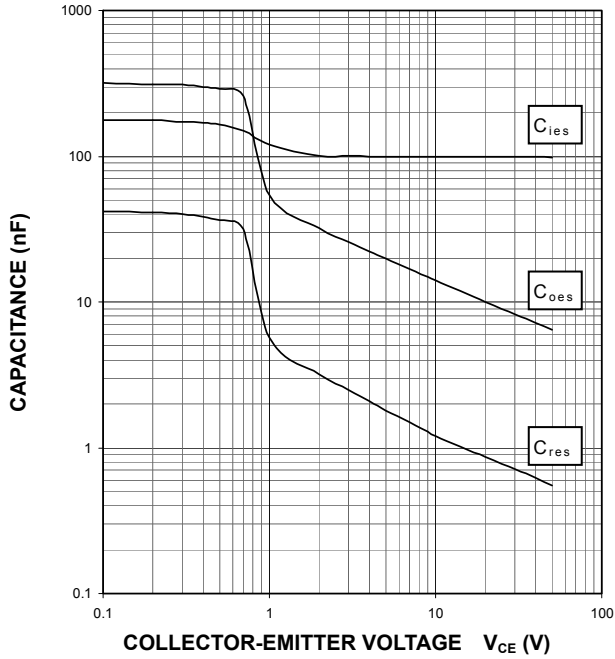
$V_{CC}=600\text{ V}$ ,  $I_C/I_E=1400\text{ A}$ ,  $V_{GE}=\pm 15\text{ V}$ ,  
INDUCTIVE LOAD, PER PULSE  
 —:  $T_j=150\text{ }^\circ\text{C}$ , - - - -:  $T_j=125\text{ }^\circ\text{C}$



PERFORMANCE CURVES

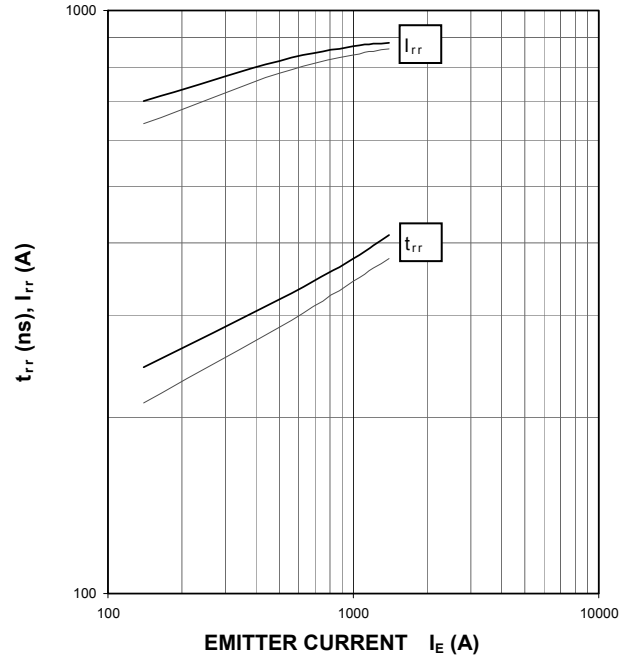
**CAPACITANCE CHARACTERISTICS (TYPICAL)**

G-E short-circuited,  $T_j=25\text{ }^\circ\text{C}$



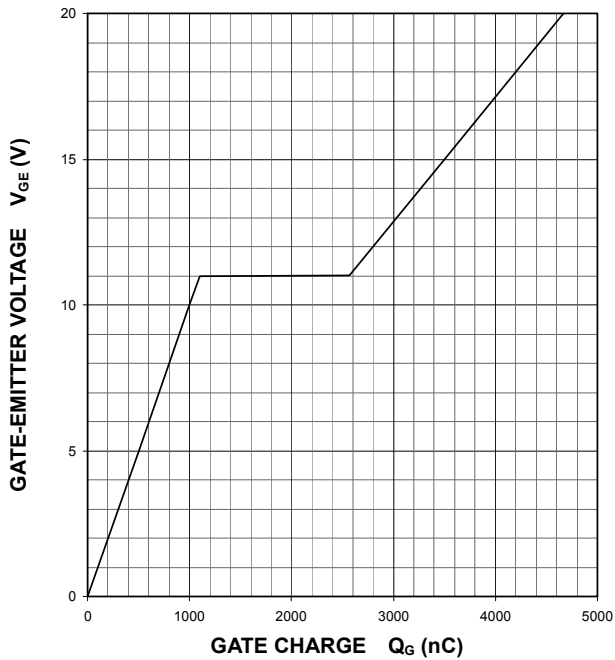
**FREE WHEELING DIODE REVERSE RECOVERY CHARACTERISTICS (TYPICAL)**

$V_{CC}=600\text{ V}$ ,  $V_{GE}=\pm 15\text{ V}$ ,  $R_G=0\ \Omega$ , INDUCTIVE LOAD  
 —:  $T_j=150\text{ }^\circ\text{C}$ , - - - -:  $T_j=125\text{ }^\circ\text{C}$



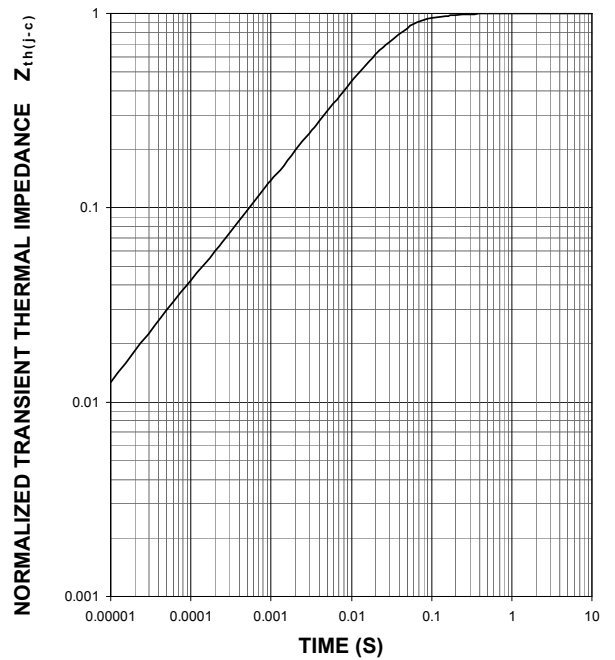
**GATE CHARGE CHARACTERISTICS (TYPICAL)**

$V_{CC}=600\text{ V}$ ,  $I_C=1400\text{ A}$ ,  $T_j=25\text{ }^\circ\text{C}$



**TRANSIENT THERMAL IMPEDANCE CHARACTERISTICS (MAXIMUM)**

Single pulse,  $T_C=25\text{ }^\circ\text{C}$   
 $R_{th(j-c)Q}=16\text{ K/kW}$ ,  $R_{th(j-c)D}=26\text{ K/kW}$





## CM1400DUC-24S

HIGH POWER SWITCHING USE  
INSULATED TYPE**Keep safety first in your circuit designs!**

Mitsubishi Electric Corporation puts the maximum effort into making semiconductor products better and more reliable, but there is always the possibility that trouble may occur with them. Trouble with semiconductors may lead to personal injury, fire or property damage. Remember to give due consideration to safety when making your circuit designs, with appropriate measures such as (i) placement of substitutive, auxiliary circuits, (ii) use of non-flammable material or (iii) prevention against any malfunction or mishap.

**Notes regarding these materials**

- These materials are intended as a reference to assist our customers in the selection of the Mitsubishi semiconductor product best suited to the customer's application; they do not convey any license under any intellectual property rights, or any other rights, belonging to Mitsubishi Electric Corporation or a third party.
- Mitsubishi Electric Corporation assumes no responsibility for any damage, or infringement of any third-party's rights, originating in the use of any product data, diagrams, charts, programs, algorithms, or circuit application examples contained in these materials.
- All information contained in these materials, including product data, diagrams, charts, programs and algorithms represents information on products at the time of publication of these materials, and are subject to change by Mitsubishi Electric Corporation without notice due to product improvements or other reasons. It is therefore recommended that customers contact Mitsubishi Electric Corporation or an authorized Mitsubishi Semiconductor product distributor for the latest product information before purchasing a product listed herein.  
The information described here may contain technical inaccuracies or typographical errors. Mitsubishi Electric Corporation assumes no responsibility for any damage, liability, or other loss rising from these inaccuracies or errors.  
Please also pay attention to information published by Mitsubishi Electric Corporation by various means, including the Mitsubishi Semiconductor home page ([www.MitsubishiElectric.com/semiconductors/](http://www.MitsubishiElectric.com/semiconductors/)).
- When using any or all of the information contained in these materials, including product data, diagrams, charts, programs, and algorithms, please be sure to evaluate all information as a total system before making a final decision on the applicability of the information and products. Mitsubishi Electric Corporation assumes no responsibility for any damage, liability or other loss resulting from the information contained herein.
- Mitsubishi Electric Corporation semiconductors are not designed or manufactured for use in a device or system that is used under circumstances in which human life is potentially at stake. Please contact Mitsubishi Electric Corporation or an authorized Mitsubishi Semiconductor product distributor when considering the use of a product contained herein for any specific purposes, such as apparatus or systems for transportation, vehicular, medical, aerospace, nuclear, or undersea repeater use.
- The prior written approval of Mitsubishi Electric Corporation is necessary to reprint or reproduce in whole or in part these materials.
- If these products or technologies are subject to the Japanese export control restrictions, they must be exported under a license from the Japanese government and cannot be imported into a country other than the approved destination.  
Any diversion or reexport contrary to the export control laws and regulations of Japan and/or the country of destination is prohibited.
- Please contact Mitsubishi Electric Corporation or an authorized Mitsubishi Semiconductor product distributor for further details on these materials or the products contained therein.