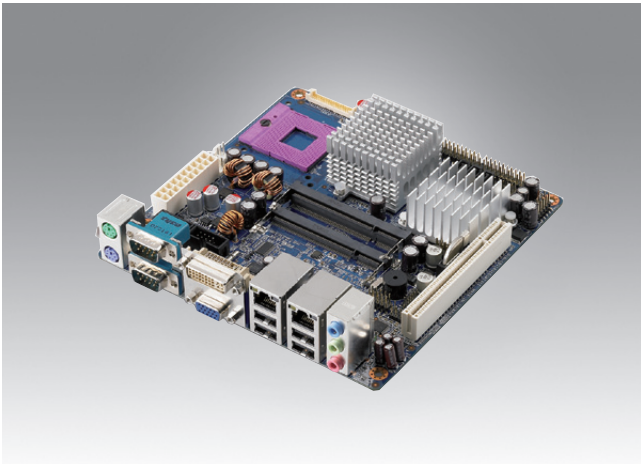


AIMB-256

Intel® Core™2 Duo Socket 479 Mini-ITX
with CRT/DVI/LVDS, 4 COM and Dual LAN



Features

- Supports Intel® Core™2 Duo/ Celeron® M mobile processor uFC-PGA 478 - GME965 and ICH8M
- Two 200-pin SODIMM sockets support up to 4 GB dual channel DDR2 533/667 MHz SDRAM
- Supports dual display for CRT, LVDS, and DVI
- Supports 4 serial ports, 3 SATA ports, 2 LAN ,CF and TPM1.2 (optional)
- Supports SUSIAccess and Embedded Software APIs

Software APIs:     

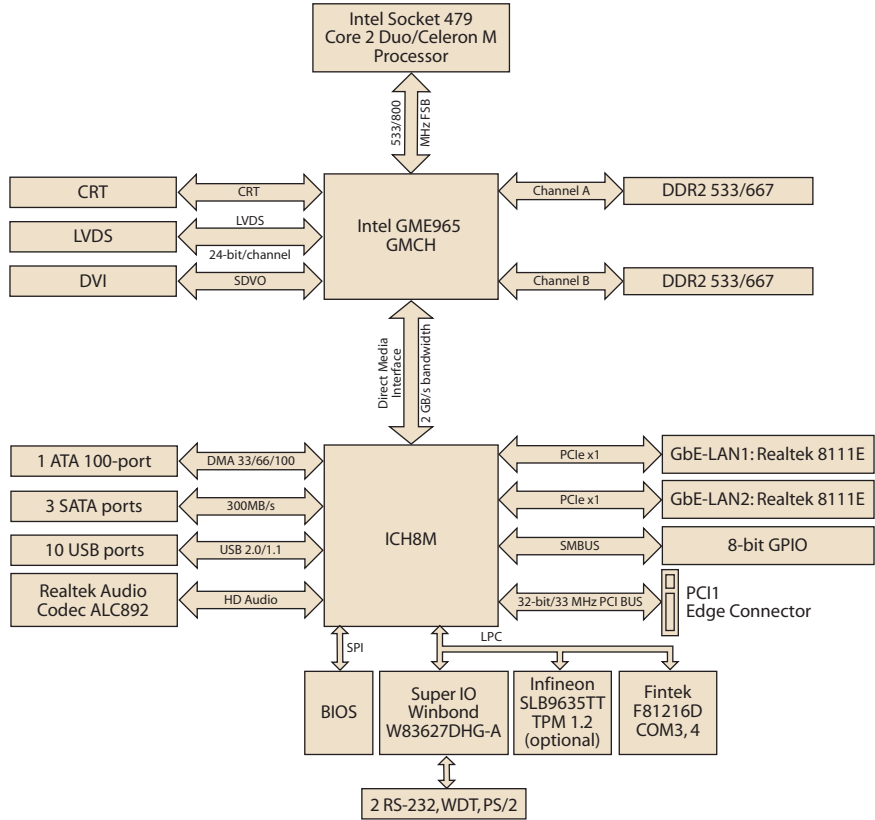
Utilities:  



Specifications

| | | | | | |
|--------------------------|-----------------------------------|--|-------------------------|-------------------------|---------------------------|
| Processor System | CPU (65 nm uFC-PGA 478, Socket P) | Intel Core 2 Duo | Intel Celeron M | Intel ULV Core 2 Duo | |
| | Max. Speed | T7500 2.2 GHz | 550 2.0 GHz | U7500 1.06 GHz on board | |
| | Front Side Bus | 800 MHz | 533 MHz | 533 MHz | |
| | L2 Cache | 2 x 2 MB | 1 MB | 1 MB | |
| | Chipset | Intel GME965 + ICH8M | | | |
| | BIOS | AMI 16 Mbit, SPI | | | |
| | Expansion Slot | PCI | 32-bit/33 MHz, 1 slot | | |
| Mini-PCI | | - | | | |
| PCIe | | - | | | |
| Memory | Technology | Dual channel DDR2 533/667 MHz SDRAM | | | |
| | Max. Capacity | 4 GB | | | |
| | Socket | 2 x 200-pin SODIMM (Non-ECC) | | | |
| Graphics | Controller | Intel GME965 GMCH integrated Graphics Media Accelerator X3100 | | | |
| | VRAM | DVMT 4.0 supports shared system memory up to 384 MB video memory | | | |
| | LVDS | Single channel 18/24-bit/Dual channel 36/48-bit LVDS | | | |
| | TV-Out | - | | | |
| | DVI | Yes, via Chronitel CH7307C SDVO transmitter | | | |
| | Dual Display | CRT+LVDS, CRT+DVI, LVDS+DVI | | | |
| Ethernet | Interface | 10/100/1000 Mbps | | | |
| | Controller | GbE LAN1: Realtek RTL8111E; GbE LAN2: Realtek RTL8111E | | | |
| | Connector | RJ-45 x 2 | | | |
| SATA | Max Data Transfer Rate | 300 MB/s | | | |
| | Channel | 3 | | | |
| EIDE | Mode | EIDE (Ultra DMA 100) | | | |
| | Channel | 1 | | | |
| SSD | CompactFlash | Supports CompactFlash Type I/II | | | |
| | CRT | 1 | | | |
| Rear I/O | DVI | 1 | | | |
| | Ethernet | 2 | | | |
| | USB | 4 (USB 2.0 compliant) | | | |
| | Audio | 3 (Mic-in, Line-out, Line-in) | | | |
| | Serial | 2 (2 x RS-232, supplies 5 V & 12 V) | | | |
| | PS/2 | 2 (1 x keyboard and 1 x mouse) | | | |
| | LVDS | 1 | | | |
| | USB | 6 (USB 2.0 compliant) | | | |
| Internal Connector | Serial | 2 (2 x RS-232, supplies 5 V & 12 V) | | | |
| | IDE | 1 | | | |
| | SATA | 3 | | | |
| | CompactFlash | 1 | | | |
| | Parallel | - | | | |
| | IrDA | - | | | |
| | FDD | - | | | |
| | GPIO | 8-bit | | | |
| Watchdog Timer | Output | System reset | | | |
| | Interval | Programmable 1 ~ 255 sec/min | | | |
| Power Requirements | Power On | Intel Core 2 Duo T7300 2.0 GHz FSB 800 MHz, 2 GB DDR2 SDRAM | | | |
| | | +5 V | +3.3 V | +12 V | +5 VSB |
| | | 2.75 A | 1.76 A | 4.13 A | 1.42 A |
| | | Operating | | | Non-Operating |
| | | Temperature | 0 ~ 60° C (32 ~ 140° F) | | -20 ~ 70° C (-4 ~ 158° F) |
| Physical Characteristics | Dimensions | 170 mm x 170 mm (6.69" x 6.69") | | | |

Block Diagram



Ordering Information

| Part Number | CPU | GbE | DVI | SATA |
|------------------|-----|-----|-----|------|
| AIMB-256G2-00A1E | - | 2 | 1 | 3 |

Optional Accessories

| Part Number | Description |
|-------------|------------------------------------|
| 1700003195 | USB cable with two ports, 17.5 cm |
| 1700002204 | USB cable with two ports, 27 cm |
| 1700008461 | USB cable with four ports, 30.5 cm |

Packing List

| Description | Quantity |
|------------------------|----------|
| AIMB-256 SBC | 1 |
| IDE HDD cable (40-pin) | 1 |
| SATA HDD data cable | 2 |
| SATA HDD power cable | 2 |
| Serial cables | 2 |
| CPU cooler | 1 |
| I/O port bracket | 1 |
| Startup manual | 1 |
| Driver CD | 1 |

Embedded OS/API

| OS/API | Part No. | Description |
|--------------|------------|----------------------------------|
| Win XPE | 2070004369 | XPE SP2 FP2007AIMB-256 V3.01 ENG |
| Software API | 205E000021 | SUSI 3.0 SW API for AIMB-256 XP |

I/O View



AIMB-256G2-00A1E