

AES-6100B

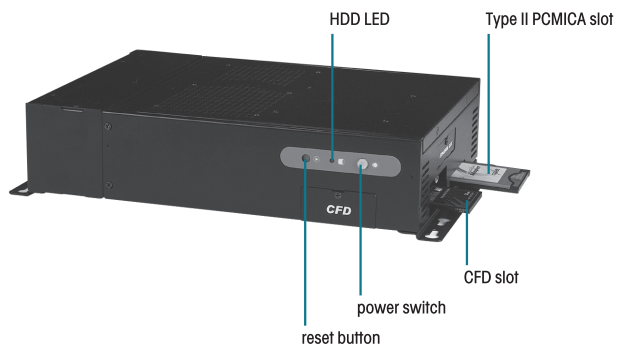
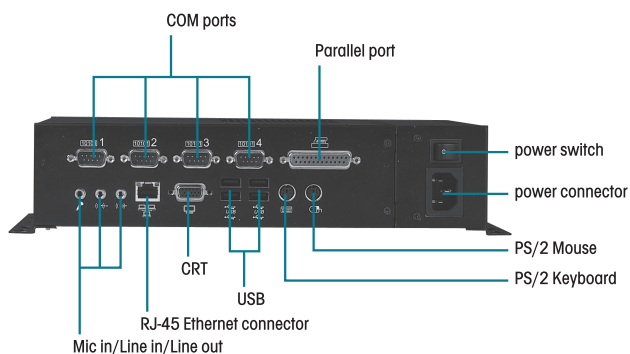
The Power That Solves

Mini Embedded Control PC with VIA Eden™ 667MHz CPU



Features

- VIA Eden™ 667MHz processor
- VIA VT8606 chipset with integrated AGP 4X graphic accelerator
- 10/100Mbps Fast Ethernet / 4 COM / 4 USB / 1 Parallel Port
- AC-97 high-quality Audio
- Supports CompactFlash™ Memory and Type II PCMCIA Slots
- Supports PC/104 expansion interface

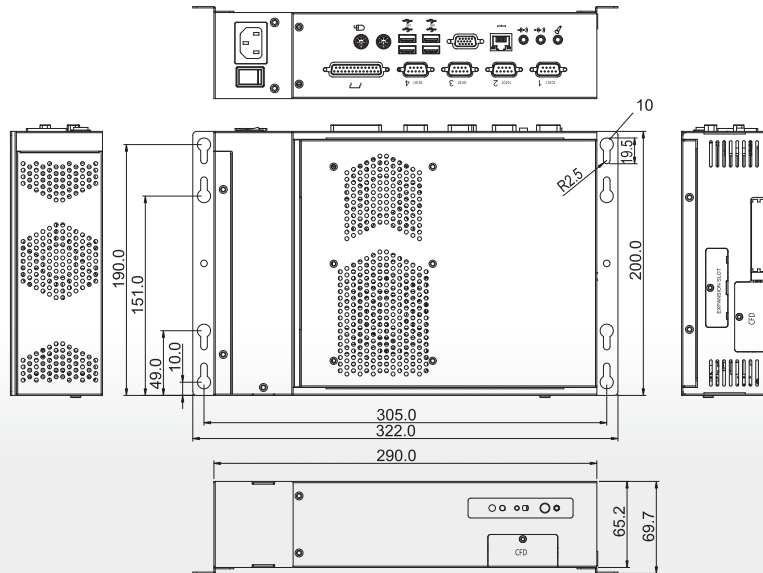


Specifications

| System | |
|--------------------------------|--|
| CPU | VIA Eden 667MHz mobile CPU |
| System Memory | 164-pin SDRAM DIMM x 1, Max. 512MB |
| VGA / Keyboard / Mouse | DB-15 VGA Connector, PS/2 Keyboard & Mouse |
| Ethernet | 10/100Base-T RJ-45 connector x 1 |
| SSD | Type II CompactFlash slot x 1 |
| Hard Disk Storage | 2.5" Slim HDD Bay x 1 |
| Serial Port | RS-232 x 3, RS-232/422/485 x 1 |
| Parallel Port | Parallel Port x 1 |
| Audio | Mic In / Line In / Line Out |
| USB | USB 1.1 ports x 4 |
| Expansion Interface | PC/104 socket x 1, Type II PCMCIA slot x 2 |
| Watchdog Timer | Generate a time-out system reset, setting via software |
| Power Input | 1. Standard ATX power connector 2. Terminal block connector provides 3.3V/5V/12V/-5V/-12V/Ground power input connection |
| Power Supply Module (optional) | Output rating : 100W Input voltage : 100VAc ~ 240VAc @ 50 ~ 60Hz Output voltage : +3.3V@1.5A, +5V@5A, +12V@2.5A, -12V@0.5A, +5VSB@1A |
| System Control | Power on / off switch with LED x 1 Reset button x 1 |
| Indicator | HDD active LED x 1 |
| OS Support | Windows CE .Net 4.2, Windows XP Embedded, Windows 98/2000/XP |

Dimension

Unit : mm



| Mechanical | |
|-----------------------|--|
| Construction | Heavy-duty steel chassis |
| Color | Black |
| Mounting | Wall-mount |
| Dimension | With power supply - 11.41" (W) x 2.56" (H) x 7.87" (D) (290mm x 65mm x 200mm) Without power supply - 9.08" (W) x 2.56" (H) x 7.87" (D) (230mm x 65mm x 200mm) |
| Carton Dimension | 9.08" (W) x 2.56" (H) x 7.87" (D) (295mm x 211mm x 261mm) |
| Net Weight | 6.3lb (2.9kg) |
| Gross Weight | 8.15lb (3.7kg) |
| Environmental | |
| Operating Temperature | 32° F ~ 113° F (0° C ~ 45° C) |
| Operating Humidity | 5 ~ 95%@40° C, non-condensing |
| Vibration | 1G / 5 ~ 500Hz / random operation |
| Shock | 15G peak acceleration (11 msec. duration) |
| EMC | CE/FCC class A |

Ordering Information

| P/N | 100W Power Module | PCMCIA |
|---------------|-------------------|--------|
| AES-6100B-001 | V | V |
| AES-6100B-002 | — | V |
| AES-6100B-003 | V | — |
| AES-6100B-004 | — | — |

1

Operator Panel

2

Panel PC

3

LCD PC

4

Embedded Control PC

5

Workstation

6

Display Monitor

7

IPC Solution

8

Full-Size CPU Card

9

Half-Size CPU Card

10

Accessory