

View on mating side

○	C	C	C	C	C	C	C	C	C	C	C	C	C	C	C	C	C	C	C
△	B	B	B	B	B	B	B	B	B	B	B	B	B	B	B	B	B	B	B
○	A	A	A	A	A	A	A	A	A	A	A	A	A	A	A	A	A	A	A

M  
N  
O  
P  
Q  
R  
S  
T  
U  
V  
W  
X  
Y  
Z  
 a  
b  
c  
d  
e  
f  
g  
h  
i  
j  
k  
l  
m  
n  
o  
p  
q  
r  
s  
t  
u  
v  
w  
x  
y  
z  
 1  
2  
3  
4  
5  
6  
7  
8  
9  
10  
11  
12  
13  
14  
15  
16  
17  
18  
19  
20  
21  
22  
23  
24  
25  
26  
27  
28  
29  
30  
31  
32  
33  
34  
35  
36  
37  
38  
39  
40  
41  
42  
43  
44  
45  
46  
47  
48  
49  
50  
51  
52  
53  
54  
55  
56  
57  
58  
59  
60  
61  
62  
63  
64  
65  
66  
67  
68  
69  
70  
71  
72  
73  
74  
75  
76  
77  
78  
79  
80  
81  
82  
83  
84  
85  
86  
87  
88  
89  
90  
91  
92  
93  
94  
95  
96  
97  
98  
99  
100

- A = 25 contacts L=2,8
- B = 21 contacts L=2,8
- C = 25 contacts L=2,8

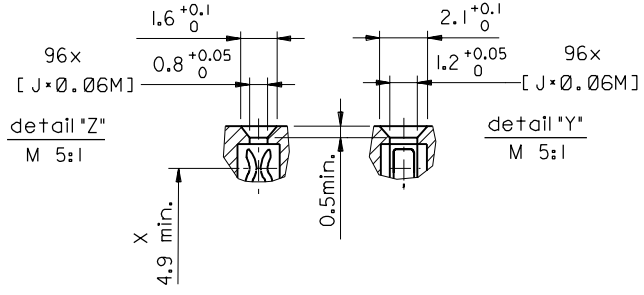
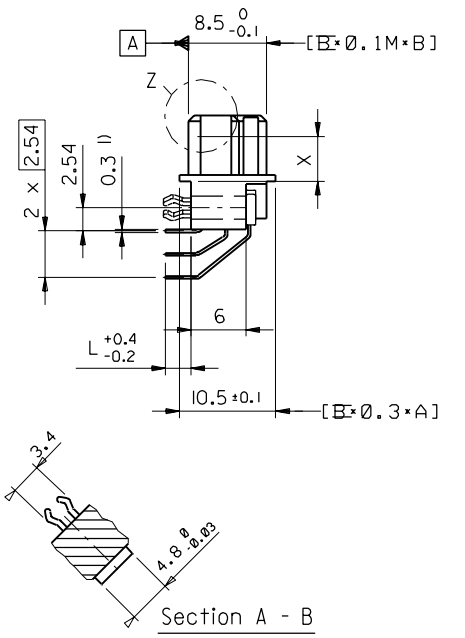
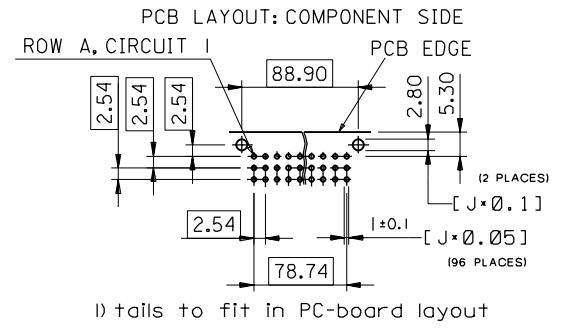
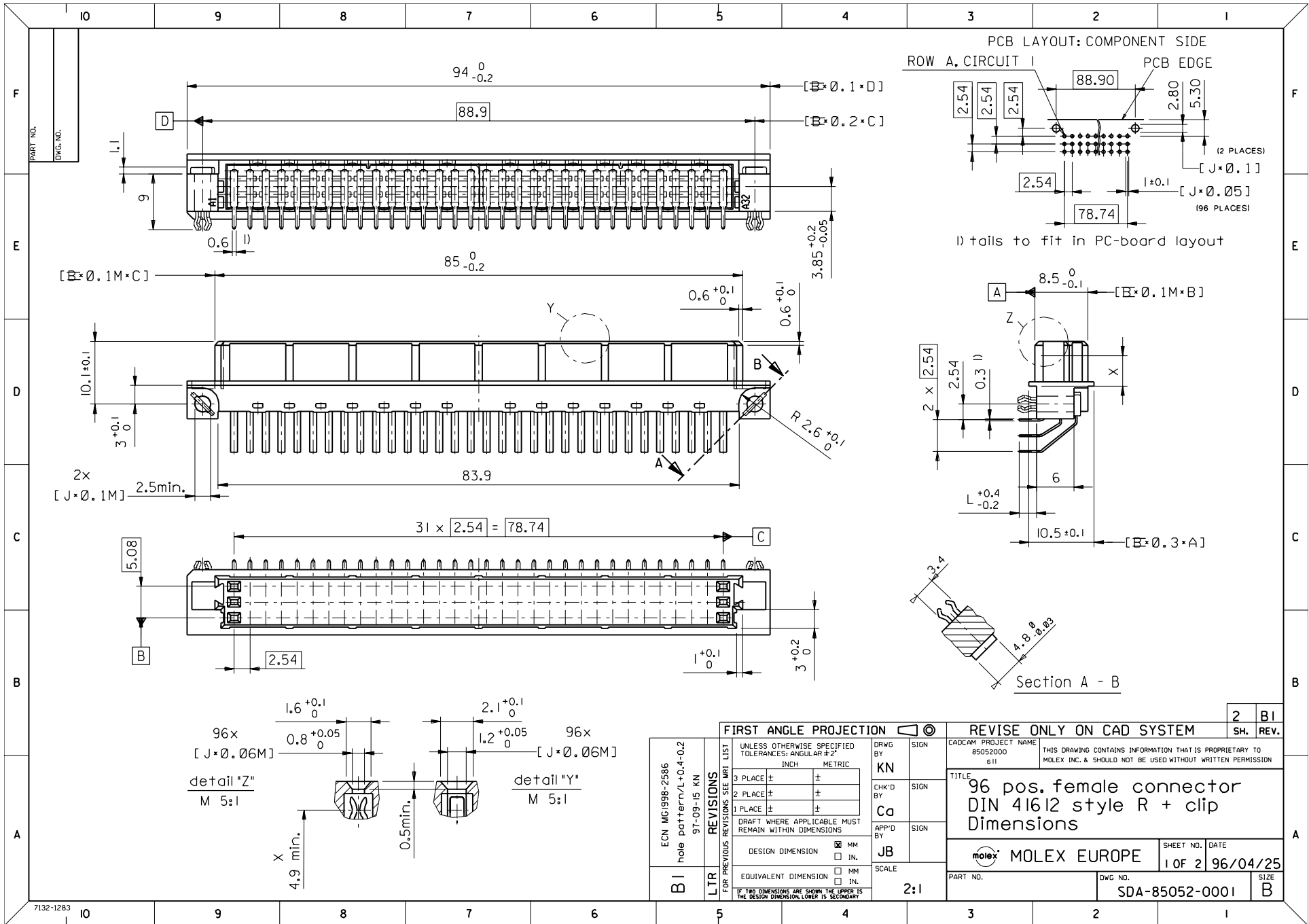
S = 71 total number of contacts

Marking	Standard
Performance level	G2/0 = Contact area level2 / Termination tin
Flux proof	no
Fixing clip	no
Dimensions	SDA-85052-0001 sht.1
Technical Data	PS-85052-0001

C	G2/0	c,1,2,6,7,11,12,14-32
B	G2/0	b,3,4,8,9,16-32
A	G2/0	a,1,2,5,6,10,11,13,14,16-32
Contact symbol	Perform. level	Contact position number

ECN MG1998-2665 first release	REVISIONS	FOR PREVIOUS REVISIONS SEE MRI LIST	
LTR			

	DRWG BY	SIGN	REVISION ONLY ON CAD SYSTEM	SH. REV.
	KN		CAD/CAM PROJECT NAME	
	CHK'D BY	SIGN	s8505208	THIS DRAWING CONTAINS PROPRIETARY TO MOLEX INC. & SHOULD NOT BE USED WITHOUT WRITTEN PERMISSION
	Ca		s81	
	APPD BY	SIGN		
	JB			
	SCALE			
	DESIGN DIMENSION	<input type="checkbox"/> MM <input type="checkbox"/> IN.	TITLE 96 pos. female connector acc. DIN 41612 style R contacts arrangement	
	EQUIVALENT DIMENSION	<input type="checkbox"/> MM <input type="checkbox"/> IN.		
IF TWO DIMENSIONS ARE SHOWN, THE UPPER IS THE DESIGN DIMENSION, LOWER IS SECONDARY				
			MOLEX® EUROPE	SHEET NO. DATE 1 OF 1 97/12/09
			PART NO. DWG NO.	SIZE SD-85052-0880 A



FIRST ANGLE PROJECTION		REVISE ONLY ON CAD SYSTEM		2	BI
UNLESS OTHERWISE SPECIFIED TOLERANCES: ANGULAR ± 2°		THIS DRAWING CONTAINS INFORMATION THAT IS PROPRIETARY TO MOLEX INC. & SHOULD NOT BE USED WITHOUT WRITTEN PERMISSION		SH.	REV.
INCH METRIC		CAD/CAM PROJECT NAME: 85052000 611		TITLE: 96 pos. female connector DIN 41612 style R + clip Dimensions	
3 PLACE ± ±		MOLEX EUROPE		SHEET NO. DATE: 1 OF 2 96/04/25	
2 PLACE ± ±		PART NO.		DWG. NO. SDA-85052-0001	
1 PLACE ± ±		SCALE: 2:1		SIZE: B	
DRAFT WHERE APPLICABLE MUST REMAIN WITHIN DIMENSIONS					
DESIGN DIMENSION <input checked="" type="checkbox"/> MM <input type="checkbox"/> IN.					
EQUIVALENT DIMENSION <input type="checkbox"/> MM <input type="checkbox"/> IN.					
IF TWO DIMENSIONS ARE SHOWN THE UPPER IS THE DESIGN DIMENSION, LOWER IS SECONDARY					

ECN MG1998-2586	hole pattern/L+0.4-0.2
BI	97-09-15 KN
LTR	REVISIONS
	FOR PREVIOUS REVISIONS SEE MRL LIST