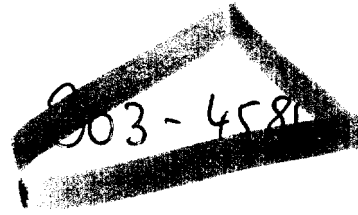


# SKINTOP® BT

With kinking trumpet for additional reliability

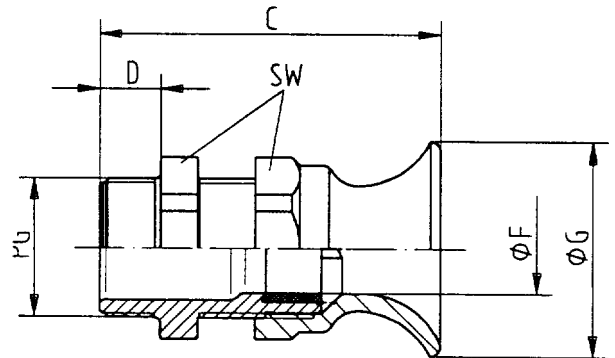


## SKINTOP® BT with kinking trumpet


The SKINTOP® BT with the trumpet-shaped cable entry is used as a guard for flexible cables and leads. The supply cables to electrical appliances and machines, which are moved in normal use, must be protected against excessive, e.g. as per VDE 0730. This technical requirement is satisfied in the SKINTOP® "range" by the SKINTOP® BT or by the SKINTOP® BS. As with the rest of the SKINTOP® range, the clamping forces have a central strain-relieving effect on the entire cable circumference, - this is particularly important for kinking protection.





Suitable accessories see page 406.




### Technical Data

 Material:  
body: polyamid  
Seals: Neoprene (CR)

 Standard colour:  
silver grey (RAL 7001)

 Temperature range:  
-20 °C to +80 °C

 Protection class: IP 68

 Note:  
Special colours on request

Part Number	Type PG-size	Colour	Clamp range mm	Wrench Size mm	C mm	D mm	Pack size pieces
5301 5410	BT 9	grey	3,5 - 8	19	42,9	8	100
5301 5420	BT 11	grey	4 - 10	22	47,7	8	100
5301 5430	BT 13,5	grey	5 - 12	24	52,0	9	50
5301 5440	BT 16	grey	9 - 14	27	55,9	10	50
5301 5450	BT 21	grey	13 - 18	33	64,4	11	50