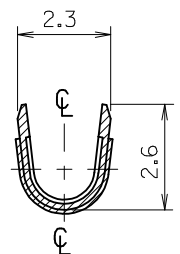
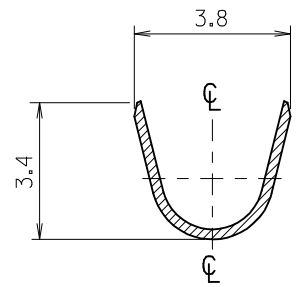


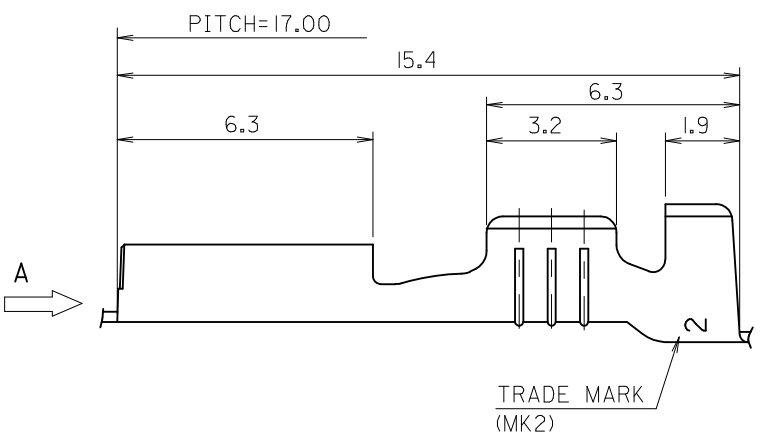
VIEW "A"



SECTION:C-C"



SECTION:D-D"



- NOTES.
1. MATERIAL : BRASS
 2. FINISH : 35711-0800 : UNPLATED
35711-0810 : ©PRE-TIN PLATED
0.8~1.8 μm TIN PLATING
OVERALL 0.3~0.8μm COPPER PLATING
 3. PRODUCT SPECIFICATION : PS-35544-001
PS-35702-001
PS-68428-001
 4. MATES WITH : 0.5t TAB
 5. APPLICABLE WIRE RANGE : AWG #22~#20

REVISED EC NO: KOR2009-0111 DRWN: JHPARK01 2009/01/30 CHKD: WYANG 2009/01/30 APPR: YUNSIKKIM 2009/01/30	QUALITY SYMBOLS ▽=0 ▽=0	GENERAL TOLERANCES (UNLESS SPECIFIED)		DIMENSION STYLE MM ONLY		SCALE 8:1	DESIGN UNITS METRIC	THIRD ANGLE PROJECTION		
			mm	INCH	DRAWN BY	DATE	TITLE			
		4 PLACES	±---	±---	WY. YANG	1993/04/15	.110 SLIP-ON RECEPTACLE			
		3 PLACES	±---	±---	CHECKED BY	DATE				
			2 PLACES	±---	±---	BK. CHOI	1993/04/15			
			1 PLACE	±0.30	±---	APPROVED BY	DATE			
			ANGULAR		±---	CW. LEE	1993/04/15	MOLEX INCORPORATED		
DRAFT WHERE APPLICABLE MUST REMAIN WITHIN DIMENSIONS				MATERIAL NO.		SEE NOTE		DOCUMENT NO.		
				SIZE A3		THIS DRAWING CONTAINS INFORMATION THAT IS PROPRIETARY TO MOLEX INCORPORATED AND SHOULD NOT BE USED WITHOUT WRITTEN PERMISSION		SHEET NO. 1 OF 01		