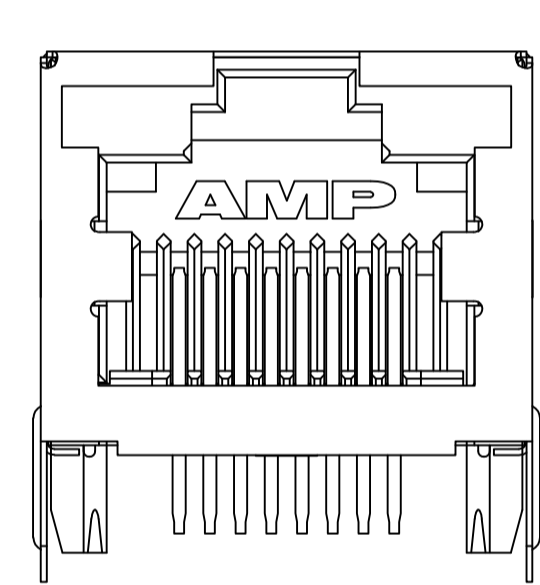


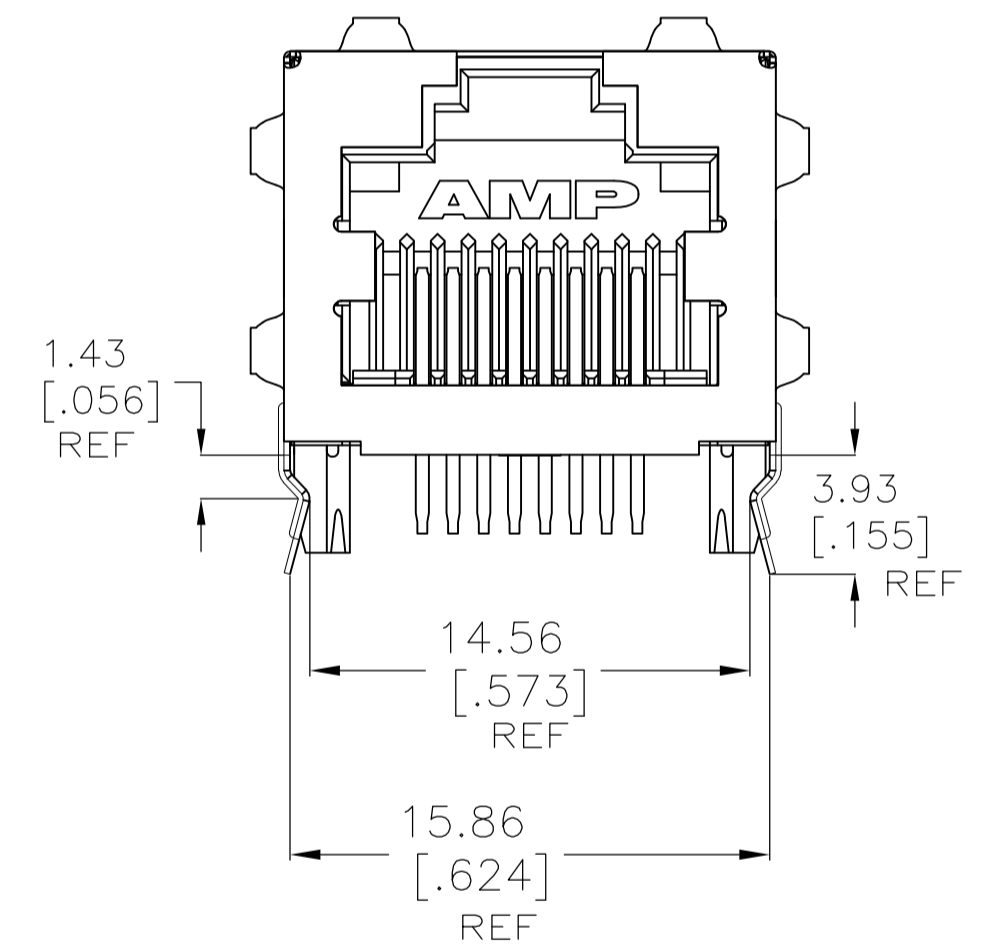
406541-1, -3, & -6
1-406541-1, 1-3, 1-6 & 1-9

406541-4
1-406541-4
WITHOUT LOWER RIGHT PANEL GROUND

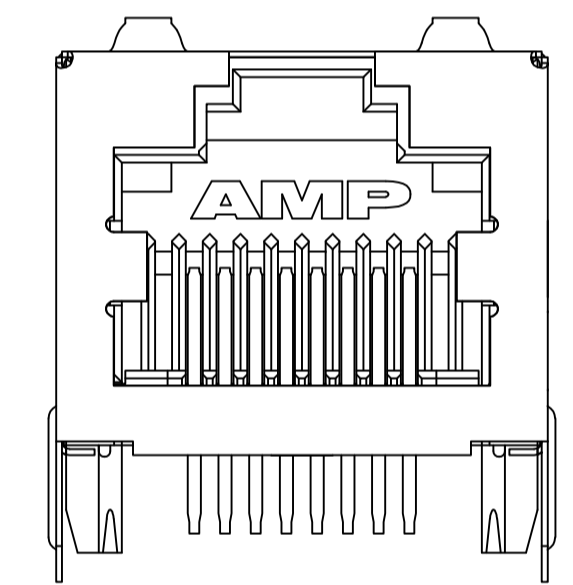
- MATERIAL:**
 HOUSING - HIGH TEMPERATURE THERMOPLASTIC, COLOR: BLACK, UL94V-0
 TERMINALS - 0.36[.014] THICK PHOS BRONZE PLATED WITH 3.81µm[.000150] MINIMUM THICK (SEE P/N TABLE) IN SOLDER AREA. 1.27µm[.000050] MINIMUM GOLD IN LOCALIZED PLATE AREA. ENTIRE TERMINAL PLATED WITH 1.27µm[.000050] MINIMUM THICK NICKEL.
 SHIELD - 0.196[.0077] THICK COPPER ZINC ALLOY PREPLATED WITH 1.27µm[.000050] MINIMUM SATIN NICKEL WITH 2.03µm[.000080] MINIMUM TIN POST DIPPED ON PCB GROUND TABS.
- JACK CAVITY CONFORMS TO FCC RULES AND REGULATIONS PART 68, SUBPART F.
- 3** SUGGESTED PANEL OPENING DIMENSIONS.
4 SUGGESTED CLEARANCE BETWEEN TOP OF CONNECTOR AND TOP PANEL OPENING.
5 ON 406541-4 & 1-406541-4 LOWER RIGHT HAND PANEL GROUND TAB IS NOT PRESENT.
6 MANUFACTURING DATE CODE: LOCATED APPROX. AS SHOWN. FIRST 2 DIGITS = LAST 2 DIGITS OF YEAR. NEXT 2 DIGITS = MANUFACTURING WORK WEEK, LAST DIGIT = DAY OF WEEK WITH SUNDAY = 1.
7 OBSOLETE PARTS: OBSOLETE CIS STREAMLINING PER D.RENAUD/D.SINISI



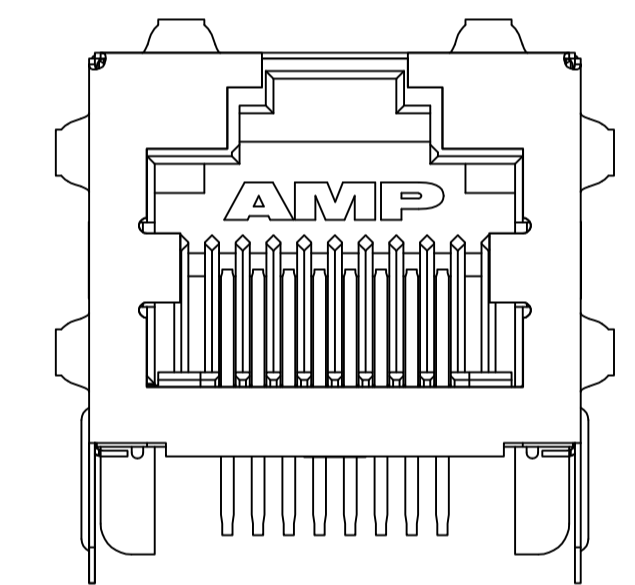
406541-5
1-406541-5
1-406541-8
WITHOUT PANEL GROUNDS



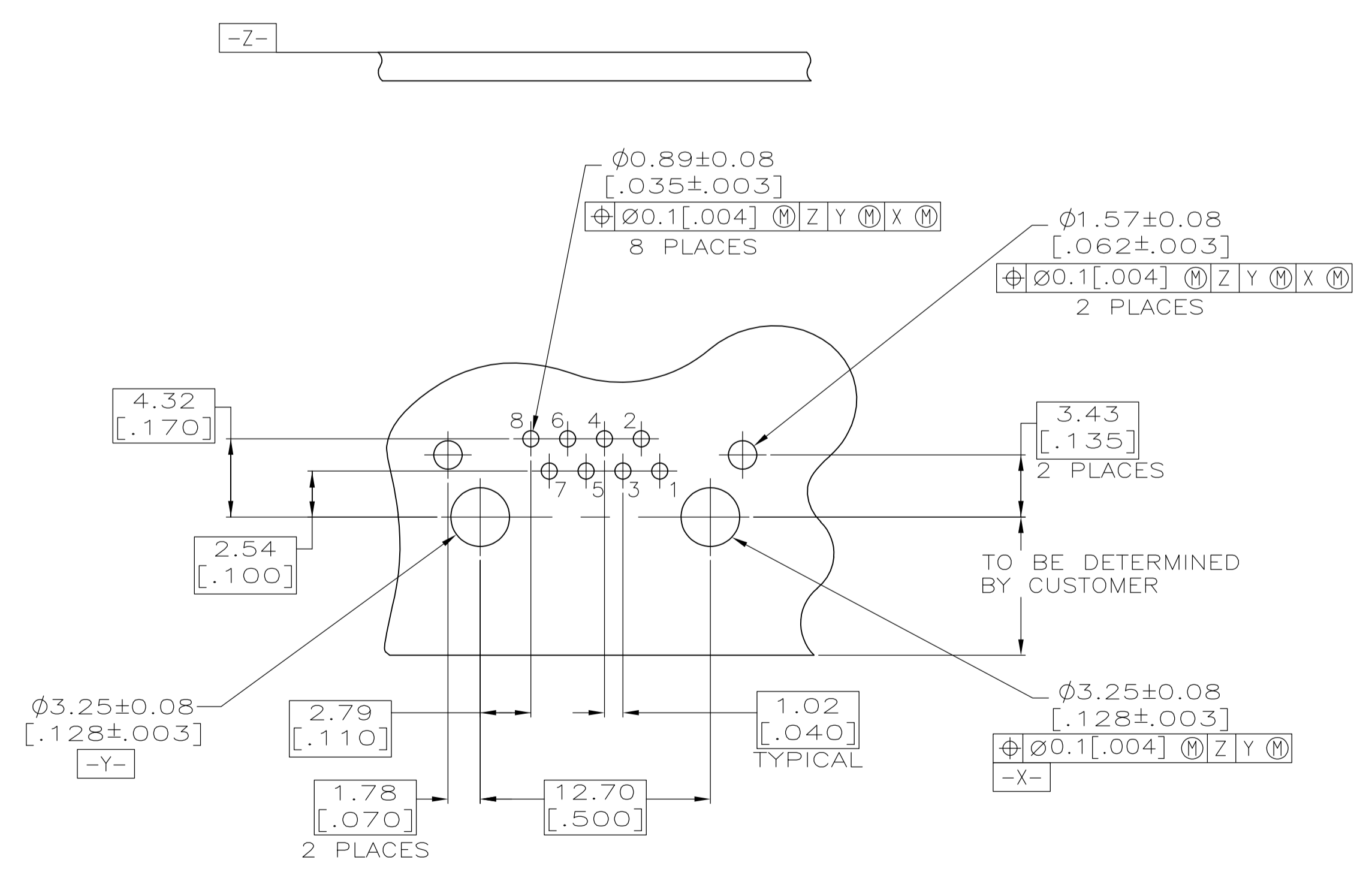
1-406541-7



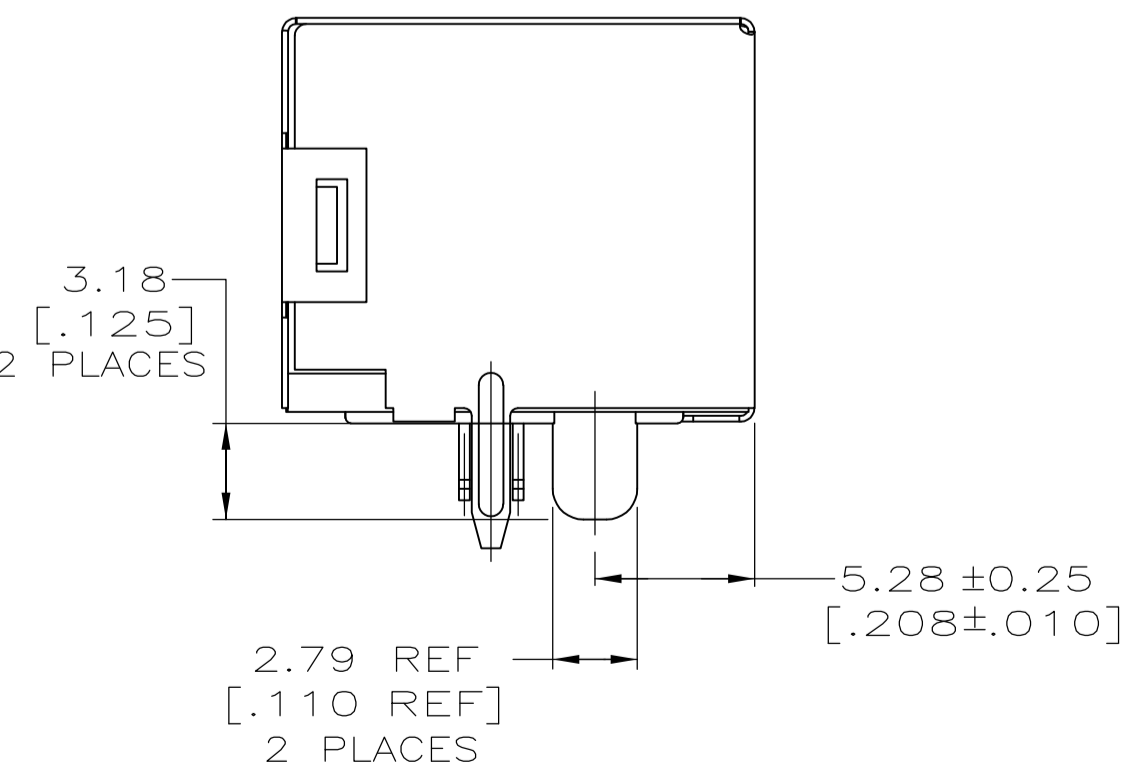
2-406541-1
WITHOUT SIDE PANEL GROUND



2-406541-3
NARROW POST TYPE



SUGGESTED PRINTED CIRCUIT BOARD LAYOUT
(COMPONENT SIDE)



2-406541-0, 2-2
NARROW POST TYPE

TERMINAL PLATING	PACKAGING	PANEL GROUNDS	DIM A	PART NUMBER
MATTE TIN	TRAY	6	3.05[.120]	2-406541-3
	TRAY	0	2.54[.100]	2-406541-2
	TRAY	2	2.54[.100]	2-406541-1
	TAPE/REEL	0	2.54[.100]	2-406541-0
	TRAY	6	3.05[.120]	1-406541-9
	TAPE/REEL	0	2.54[.100]	1-406541-8
	TRAY	6	2.54[.100]	1-406541-7
	TRAY	6	3.56[.140]	1-406541-6
	TRAY	0	2.54[.100]	1-406541-5
	TRAY	5	2.54[.100]	1-406541-4
BRIGHT TIN-LEAD	TRAY	6	2.54[.100]	1-406541-1
	TRAY	6	3.56[.140]	406541-6
	TRAY	0	2.54[.100]	406541-5
	TRAY	5	2.54[.100]	406541-4
	TRAY	6	2.00[.079]	406541-3
	TRAY	6	2.54[.100]	406541-1

THIS DRAWING IS A CONTROLLED DOCUMENT.		DIN IS/LA.MAYER 09JAN2008		TE Connectivity	
DIMENSIONS: mm [INCHES]		TOLERANCES UNLESS OTHERWISE SPECIFIED:		NAME	
0 PLC	±	0 PLC	±	INVERT MODULAR JACK ASSEMBLY	
1 PLC	±	1 PLC	± 0.25[.010]	1 X 1, SHIELDED, PANEL GROUND	
2 PLC	±	2 PLC	±	-	
3 PLC	±	3 PLC	±	-	
4 PLC	±	4 PLC	±	-	
ANGLES	±	ANGLES	±	-	
MATERIAL	SEE TABLE	FINISH	SEE TABLE	WEIGHT	---
CUSTOMER DRAWING		SCALE	4:1	SHEET	1 OF 1
		REV	M9		