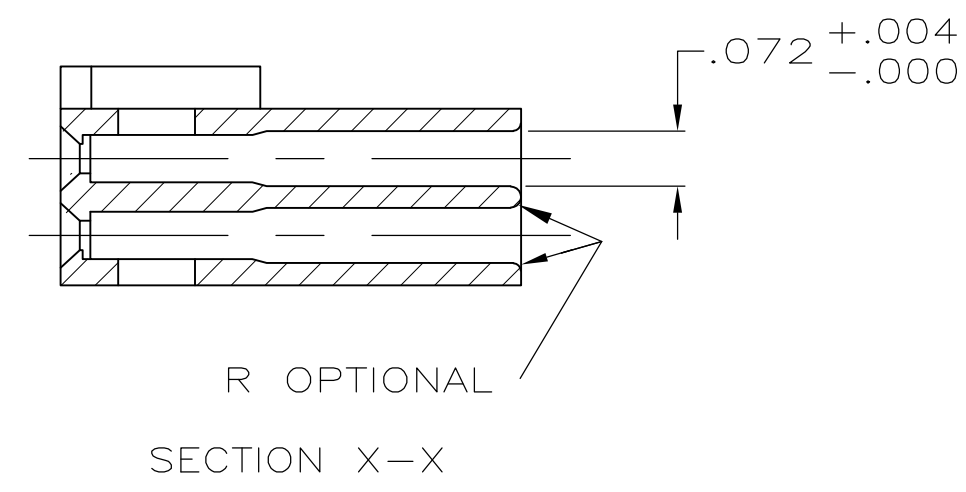
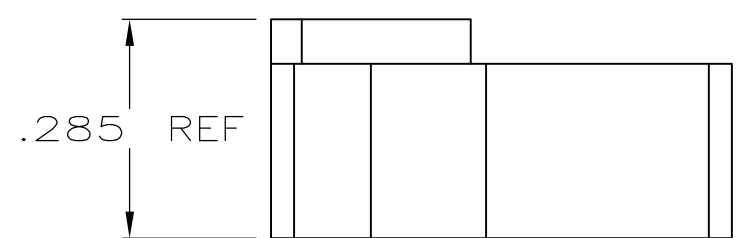
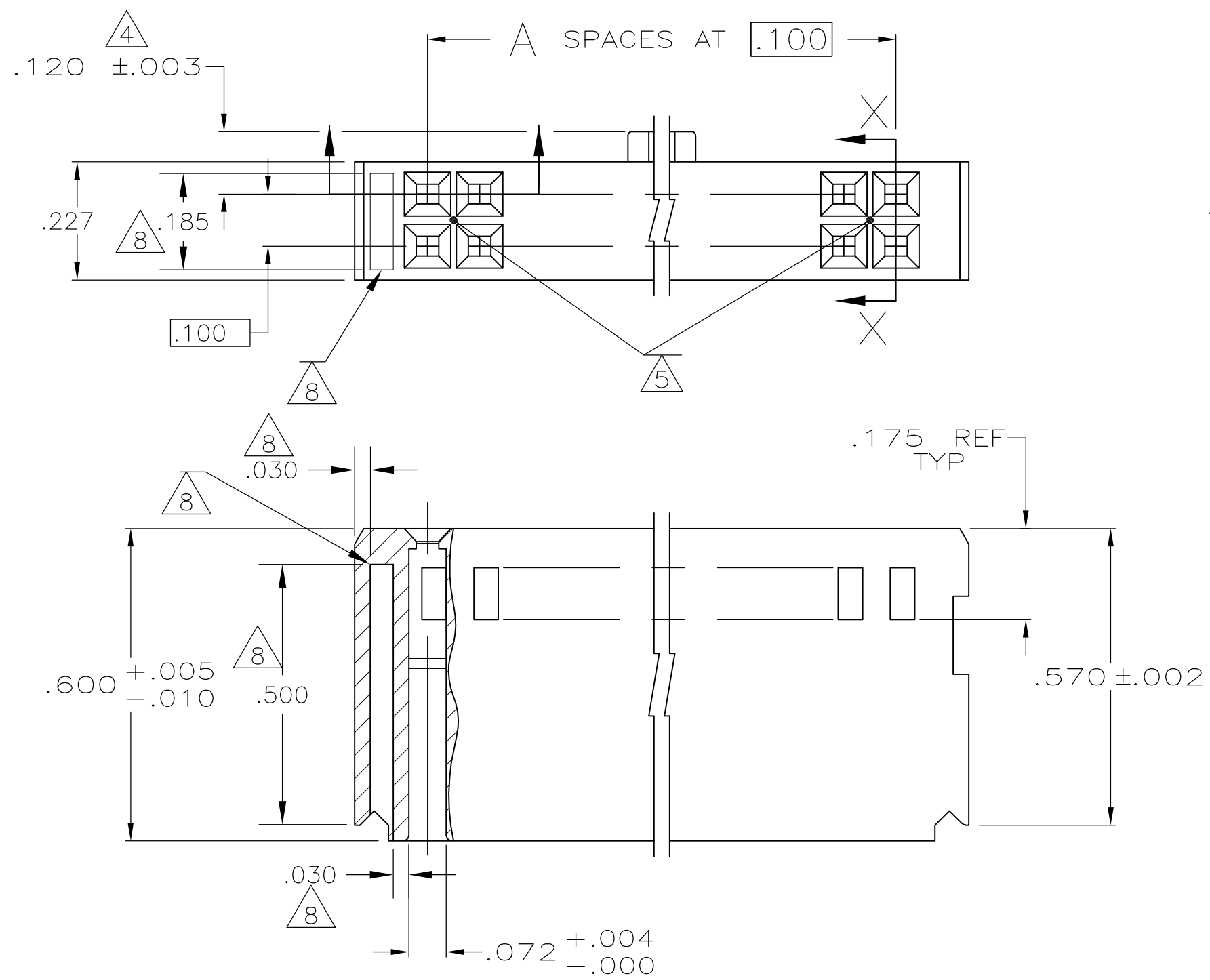
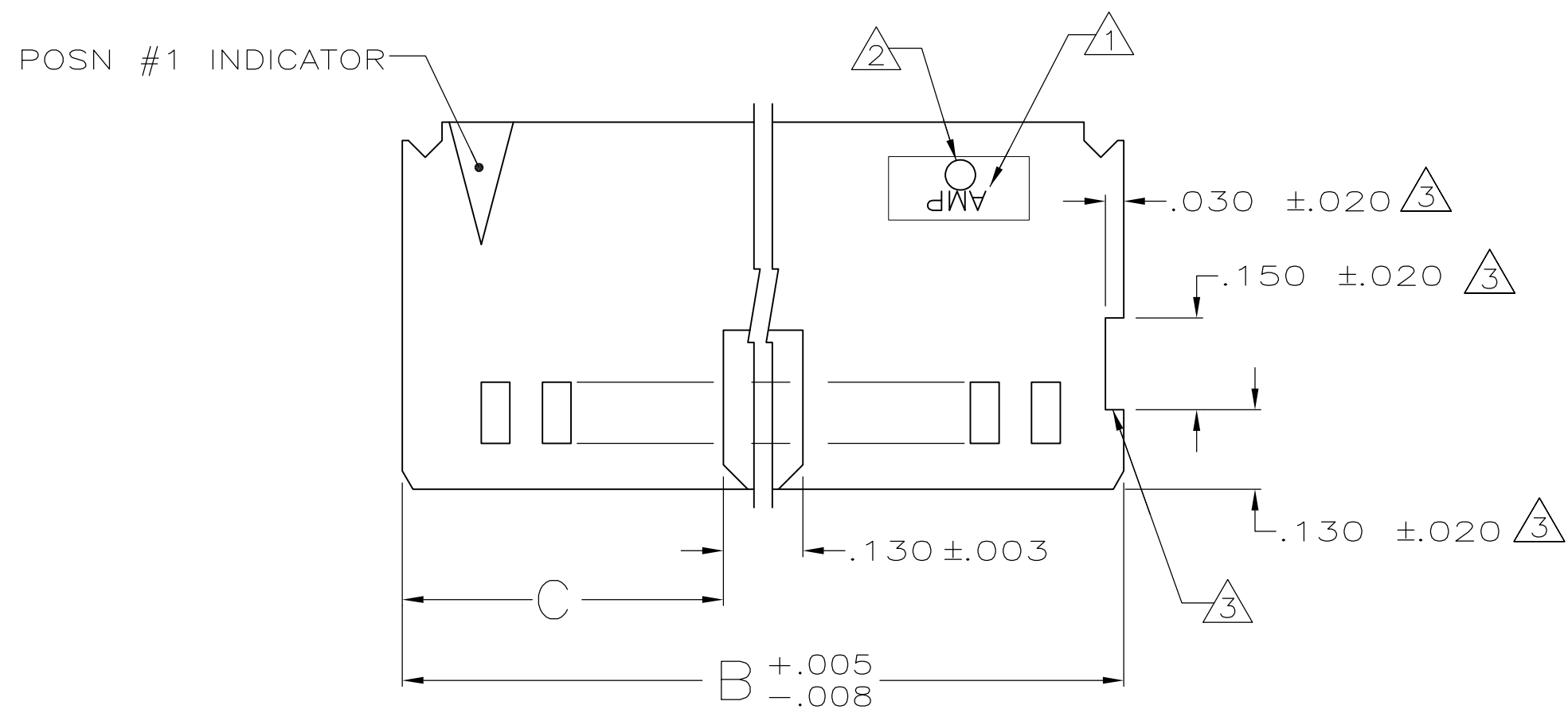


THIS DRAWING IS UNPUBLISHED. RELEASED FOR PUBLICATION
 © COPYRIGHT - By - ALL RIGHTS RESERVED.

LOC		DIST		REVISIONS			
P	LTR	DESCRIPTION		DATE	DWN	APVD	
AD	39	S2	REVISED PER ECO-11-010839	25MAY11	RK	HMR	



- 1 AMP TRADEMARK (MOLDED IN) .062±.015 HIGH CHARACTERS LOCATED APPROX AS SHOWN
- 2 MOLD CAVITY IDENT (MOLDED IN) .046±.015 HIGH CHARACTERS LOCATED APPROX AS SHOWN
- 3 RECESSED AREA AROUND MOLD GATE IS OPTIONAL. THIS FEATURE IS ALLOWABLE ON EITHER SIDE OF HOUSING OR MAY NOT BE PRESENT AT ALL.
- 4 COORDINATE DIMENSION APPLIES FROM CENTER OF FIRST ACTUAL FEATURE
- 5 RECESSED AREA AROUND GATE PERMISSIBLE. THIS FEATURE IS ALONG CENTERLINE OF MATING FACE.
- 6. WHEN MATING WITH AMP-LATCH UNIVERSAL HEADERS, P/N 1825851-1 MUST BE USED. PURCHASE SEPARATELY WITH HEADER- 2 REQUIRED.
- 7 OBSOLETE PARTS: OBSOLETE CIS STREAMLINING PER D.RENAUD/D.SINISI
- 8 VOID CORING IS OPTIONAL, AT MOLDER'S DISCRETION.

7 OBSOLETE	C	B	A	NO. OF POSN	PART NO.
.575	1.280	10	22	4	102387-5
.225	.580	3	8	1	102387-4
1.125	2.380	21	44	1	102387-3
1.625	3.380	31	64	1	102387-2
1.525	3.180	29	60	1	102387-1
1.275	2.680	24	50	1	102387-0
1.025	2.180	19	40	1	102387-9
.875	1.880	16	34	1	102387-8
.775	1.680	14	30	1	102387-7
.675	1.480	12	26	1	102387-6
.625	1.380	11	24	1	102387-5
.525	1.180	9	20	1	102387-4
.425	.980	7	16	1	102387-3
.375	.880	6	14	1	102387-2
.275	.680	4	10	1	102387-1

THIS DRAWING IS A CONTROLLED DOCUMENT.

DWN B MOYER 5-17-89
 CHK K. HELM 6-13-89

DIMENSIONS: INCHES
 TOLERANCES UNLESS OTHERWISE SPECIFIED:
 0 PLC ± -
 1 PLC ± -
 2 PLC ± -
 3 PLC ± .005
 4 PLC ± -
 ANGLES ± -
 MATERIAL FLAME RETARDANT THERMOPLASTIC COLOR: BLACK PER ASTM D4066
 FINISH -

APVD -
 PRODUCT SPEC -
 APPLICATION SPEC -
 WEIGHT -

TE Connectivity
 HOUSING, CRIMP SNAP-IN, SHORT ENTRY, MOD IV

SIZE A2 CAGE CODE 00779 DRAWING NO C=102387 RESTRICTED TO -
 CUSTOMER DRAWING SCALE 4:1 SHEET 1 of 1 REV S2