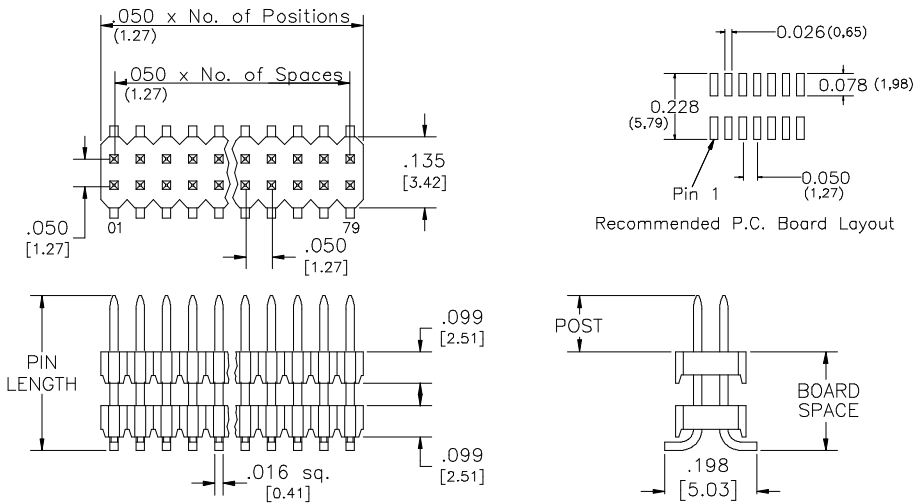


## Major League Electronics .050x.050 cl Thicker Board Stacker Terminal Strips - Surface Mount



Tails may be clipped to achieve desired pin length

### Ordering Information

TBSTCM-5  - D -  -  -  -  -  -  -  -  -  - LF

Pins Per Row

01 - 40

Row Specification

D = Dual Row

Desired Post Height

Please specify  
e.g. .100 (2.54) = 100

Pin Options		
Maximum Length		
.235	5.97mm	06
.332	8.43mm	08
.382	9.70mm	10
.432	10.97mm	12
.482	12.24mm	14
.532	13.51mm	16
.582	14.78mm	18
.632	16.05mm	20
.682	17.32mm	22
.732	18.59mm	24

#### Packing Information

TR-P = Tape and Reel with Plastic Pick and Place pad

TB-P = Tube with Plastic Pick and Place pad

TB-0 = Tube without Pick and Place Pad

If left blank, packaging at MLE's discretion

Pad may be metal, mylar or plastic

#### Polarized Position

Leave blank if not needed

If required, specify empty pin position, e.g. 012 for Pin 12

#### Desired Board Space

Please specify  
e.g. .100 (2.54) = 100

#### Plating Options

G	10µ Gold on Contact Area / Flash on Tail
T	Matte Tin All Over
GT	10µ Gold on Contact Area / Matte Tin on Tail
H	30µ Gold on Contact Area / Matte Tin on Tail
F	Gold Flash over Entire Pin

### Specifications

Current Rating: 1.0 Ampere

Insulation Resistance: 1000MΩ Min.

Dielectric Withstanding: 300V AC

Contact Resistance: 20 mΩ Max.

Operating Temperature: -40°C to + 105°C

Max. Process Temperature:

Peak: 260°C up to 10 secs.

Process: 230°C up to 60 secs.

Wave: 260°C up to 6 secs.

Reflow: 260°C up to 10 secs.

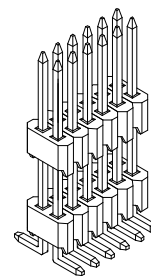
Manual Solder: 350°C up to 5 secs.

### Materials

Contact Material: Phosphor Bronze

Insulator Material: Nylon 6T

Plating: Au or Sn over 50µ" (1.27) Ni



Mates with:

LSSHs,

SMSS,

SSHs

Products cut to specific sizes are uncancellable/nonreturnable

Parts are subject to change without notice

TBSTCM-5-D SERIES

.050x.050 cl Dual Row - Surface Mount  
Thicker Board Stacker Terminal Strip

08 FEB 07

Scale  
NTS

UNLESS OTHERWISE SPECIFIED

DIMENSIONS IN INCHES (MM)

TOLERANCES ARE:

ONE PLACE DECIMALS ±.100

TWO PLACE DECIMALS ±.010

THREE PLACE DECIMALS ±.005

FOUR PLACE DECIMALS ±.0020

ANGLES

±5°

4235 Earnings Way, New Albany, Indiana, 47150, USA  
1-800-782-3486 (USA/Canada/Mexico)

Tel: 812-944-7244

Fax: 812-944-7268

E-mail: mle@mlelectronics.com

Web: www.mlelectronics.com

Edition  
2

Sheet  
1/1