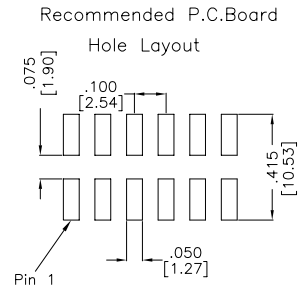
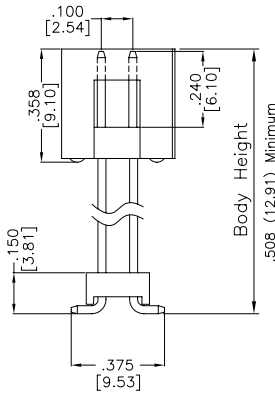
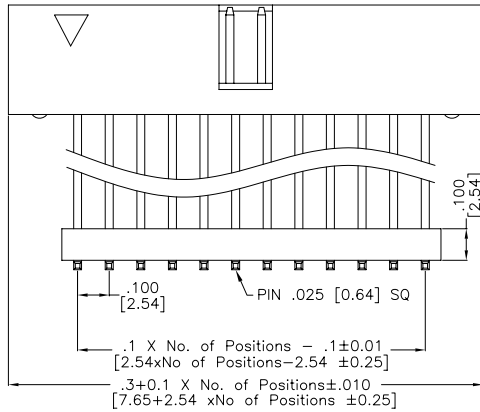
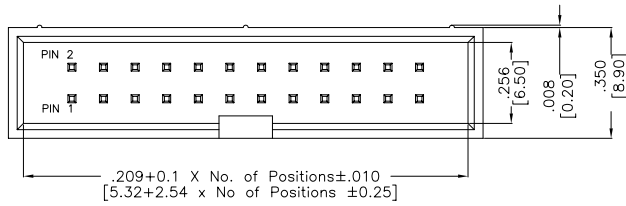


Major League Electronics .100" cl Shrouded Board Stacker Terminal Strips



Tails may be clipped to achieve desired pin length

Ordering Information

SHBSTCM-1 - D - - - - - - - - LF

Pins Per Row
03 - 32

Double

Select nearest Pin Option greater than specified 'Desired Body Height'

Pin Options	
Max. Body Height	
(14.61) .575	16
(17.15) .675	20
(19.69) .775	22
(22.23) .875	24
(24.77) .975	26
(27.31) 1.075	28
(29.85) 1.175	30
(32.39) 1.275	32
(34.93) 1.375	34
(37.47) 1.475	36

Plating Options

- 10µ Gold on Contact area/Flash on Tail	G
- 10µ Gold on Contact Area/Matte Tin on Tail	GT
- Matte Tin all Over	T
- Gold Flash Over Entire Pin	F

Lead Free

Removable Pick and Place Option

E = With
Leave blank if not needed

Tape and Reel Option

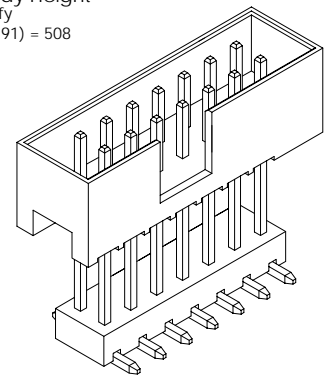
TR = With
Leave blank if not needed

Polarized Position

001 - 064
Leave blank if not needed

Desired Body Height

Please specify
e.g. .508 (12.91) = 508



Mates with:
IDS-1

Insulator	Polyester UL 94V-0 Nylon-6T	Current Rating	3 Amps
Contact	Copper Alloy	Dielectric Withstanding	600V AC
Insulation resistance	1000 MOHMS min.	Operating Temperature	-40°C to +105°C
Contact Resistance	20 mOHMS max.		

Products cut to specific sizes are uncancellable/nonreturnable

Parts are subject to change without notice

UNLESS OTHERWISE SPECIFIED
DIMENSIONS IN INCHES (MM)

TOLERANCES ARE:
ONE PLACE DECIMALS ±0.38
TWO PLACE DECIMALS ±0.25
THREE PLACE DECIMALS ±0.13

ANGLES
NO DECIMALS ±5°
ONE PLACE DECIMALS ±2°
TWO PLACE DECIMALS ±1°
THREE PLACE DECIMALS ±0.5°

SHBSTCM-1 SERIES

.100" cl Shrouded Board Stacker Terminal Strips
Custom Surface Mount

23 APR 07

Scale
NTS



4235 Earnings Way, New Albany, Indiana, 47150, USA
1-800-782-3486 (USA/Canada/Mexico)

Tel: 812-944-7244

Fax: 812-944-7268

E-mail: mle@melectronics.com

Web: www.melectronics.com

Edition
1

Sheet
1/1