

S7U4E001A02

Sensing Evaluation Unit E-Series USB Package

- Epsos AH-6120 high accuracy 6 DOF sensor
- Wired connection via USB
- Multiple configurations
- Small size and Low power consumption

■ DESCRIPTIONS

The multifunction sensor evaluation units the S7U4E001A02 perform a variety of sensing tasks. S7U4E001A02 have a six-axis sensor, which consists of three Epson gyroscopes that provide high accuracy and stability on three axis and a triaxial accelerometer with a dynamic range of ± 6 G, a triaxial geomagnetic sensor, and a pressure sensor. This evaluation unit is available with either a USB interface for easy connection to a PC. This also come with an accessory board that can be used to freely expand the interfaces and power source for use in an even wider range of evaluation environments.

■ SPECIFICATIONS

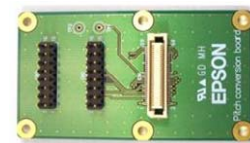
- Sensors
 - Gyro (3 axis) Range: +/-1000 dps, Sampling frequency: up to 100 Hz
 - Acceleration (3 axis) Range: +/-6 G, Sampling frequency: up to 100 Hz
 - E-Compass (3 axis) Range: 0.6 mT, Sensitivity: 0.3 uT/LSB
 - Pressure sensor Range: 300 to 1100hPa, Accuracy: +/-300 Pa
- Interface USB, UART
- Power supply USB bus power
- Unit size (W x H x T) 40 x 35 x 30 mm

■ EVALUATION KIT

- Main Unit (2 boards are assembled)
 - Sensor board
 - USB interface board
- Connector Fan-Out Board

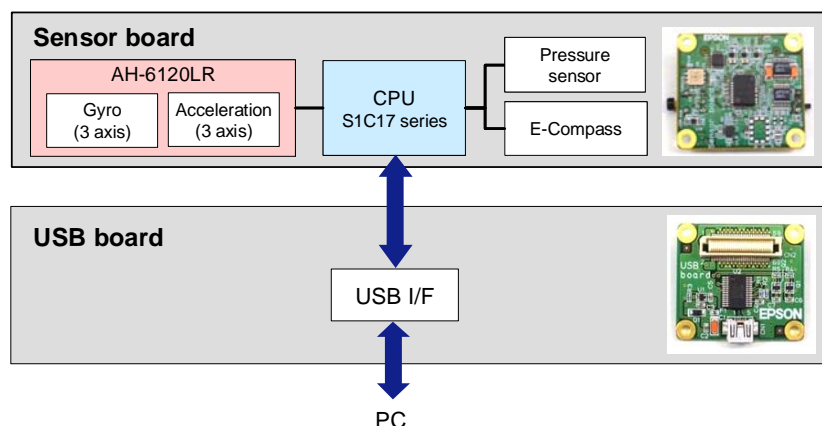


Main Unit



Connector Fan-Out Board

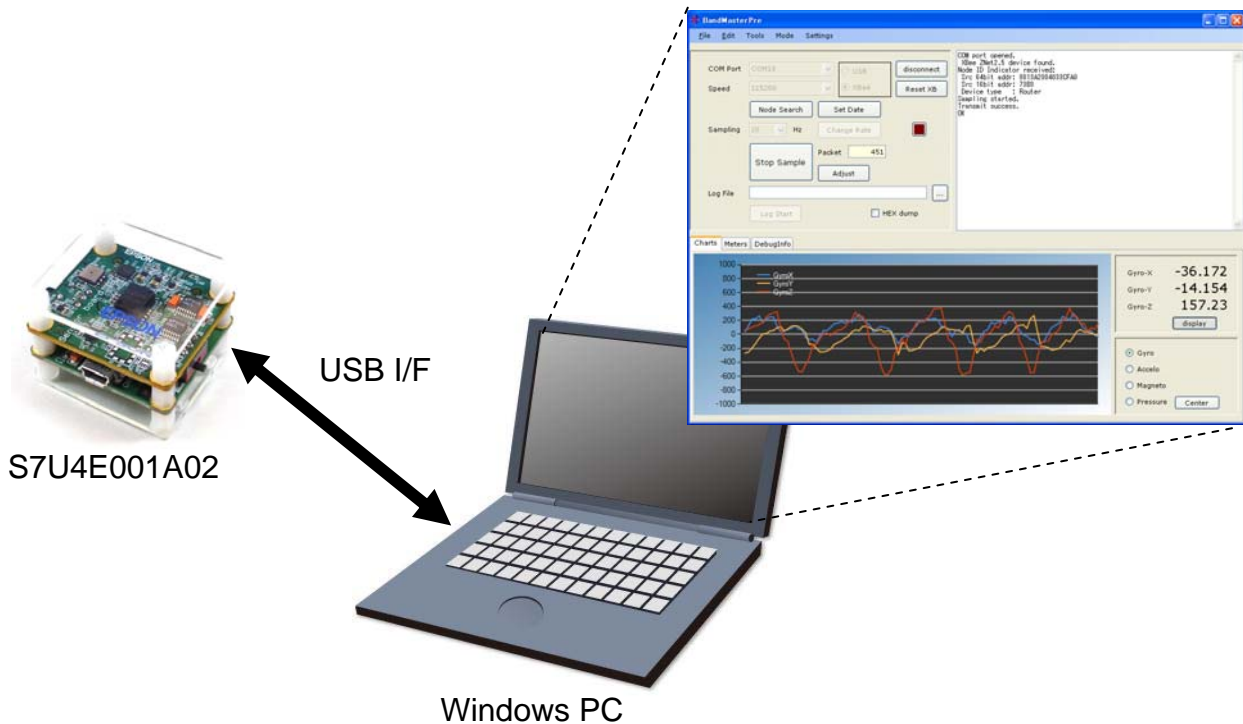
■ BLOCK DIAGRAMS OF MAIN UNITS



S7U4E001A02

■ EVALUATION by WINDOWS PC

Evaluation Software



Evaluation board/kit and Development tool important notice

1. This evaluation board/kit or development tool is designed for engineering evaluation, demonstration, or development purposes only. Do not use it for any other purpose. It is not intended to meet the requirements of design for a finished product.
2. This evaluation board/kit or development tool is intended for use by an electronics engineer and is not a consumer product. The user should use these goods properly and safely. Seiko Epson does not assume any responsibility or liability of any kind if damage and/or fire is caused by its use. The user should cease to use the evaluation board/kit or development tool when any abnormal issue occurs, even during proper and safe use.
3. The part used for this evaluation board/kit or development tool may be changed without any notice.

NOTICE:

No part of this material may be reproduced or duplicated in any form or by any means without the written permission of Seiko Epson. Seiko Epson reserves the right to make changes to this material without notice. Seiko Epson does not assume any liability of any kind arising out of any inaccuracies contained in this material or due to its application or use in any product or circuit and, further, there is no representation that this material is applicable to products requiring high level reliability, such as, medical products. Moreover, no license to any intellectual property rights is granted by implication or otherwise, and there is no representation or warranty that anything made in accordance with this material will be free from any patent or copyright infringement of a third party. This material or portions thereof may contain technology or the subject relating to strategic products under the control of the Foreign Exchange and Foreign Trade Law of Japan and may require an export license from the Ministry of Economy, Trade and Industry or other approval from another government agency.

All brands or product names mentioned herein are trademarks and/or registered trademarks of their respective companies.

©Seiko Epson Corporation 2011, All rights reserved

SEIKO EPSON CORPORATION

MICRODEVICES OPERATIONS DIVISION

System Business Development Group
Device Sales & Marketing Department

421-8 Hino, Hino-shi, Tokyo 191-8501, JAPAN
Phone: +81-42-587-8291 FAX: +81-42-587-5116

2

EPSON System products website

http://www.epson.jp/e/products/device/micro_system/

Document code: 412175200
First issue July, 2011