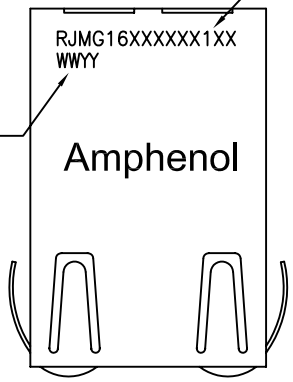


This document is the property of Amphenol Corporation and is delivered on the express condition that it is not to be disclosed, reproduced or used, in whole or in part, for manufacture or sale by anyone other than Amphenol Corporation without its prior consent, and that no right is granted to disclose or to use any information in this document.

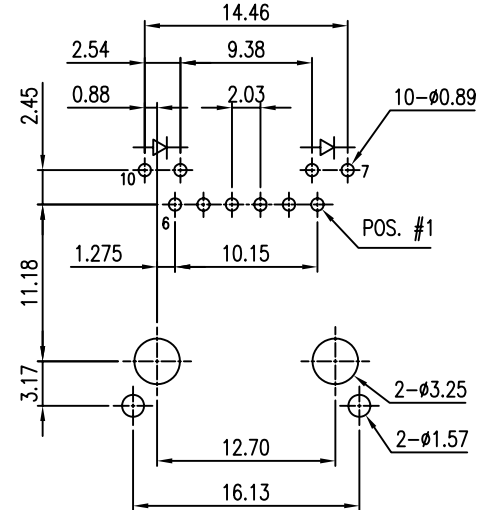
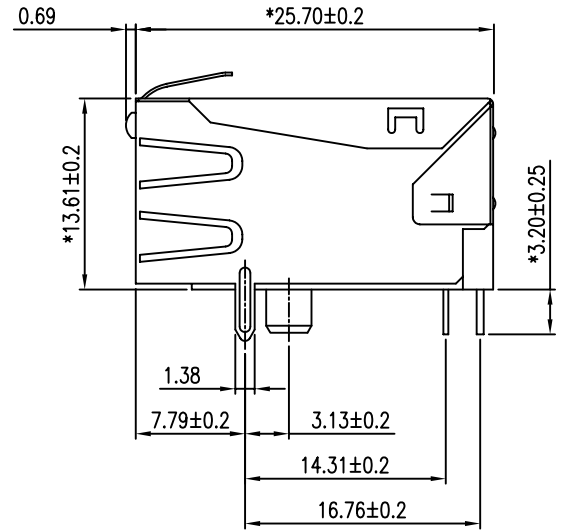
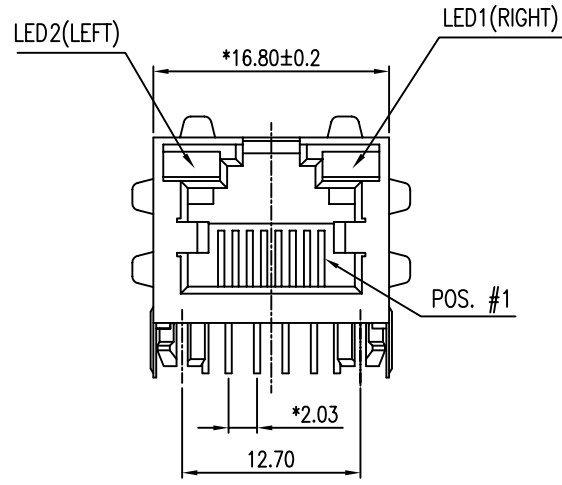
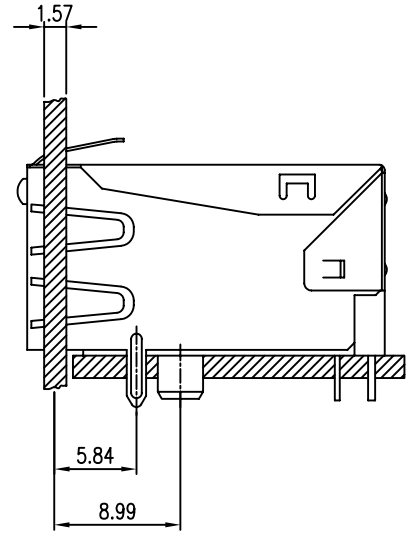
CUSTOMER DRAWING

REVISIONS				
SYM	ECN No.	DESCRIPTION	DATE	APPROVED
E1		RELEASE TO PRODCUTION	01/03/2006	Joseph Hsu

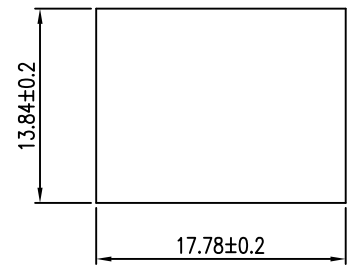
P/N, 1.0mm MIN. HEIGHT
FONT: ARAIL OR SIMILAR



DATE CODE
WW=WEEK
YY=YEAR



RECOMMENDED PCB LAYOUT
(ALL TOLERANCES ARE ±0.05)



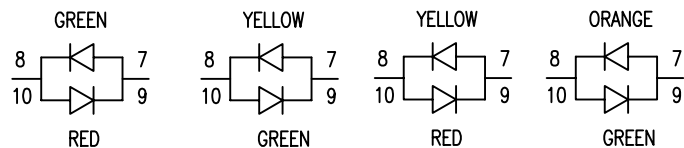
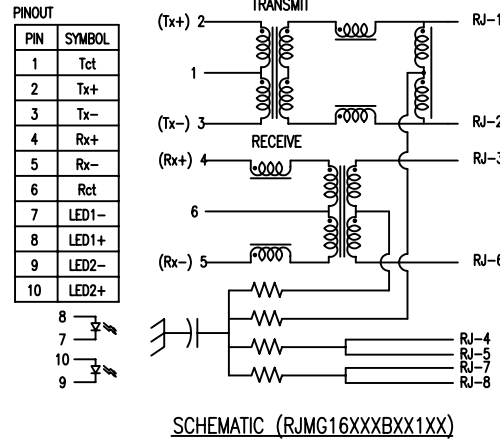
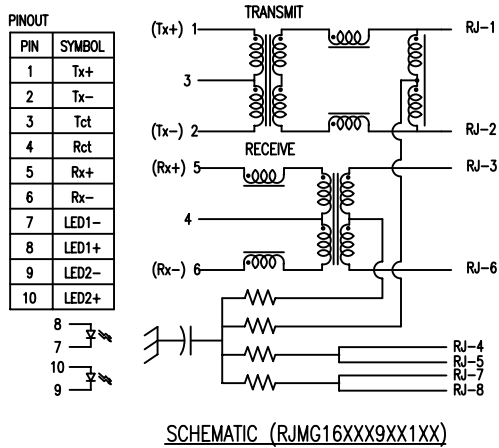
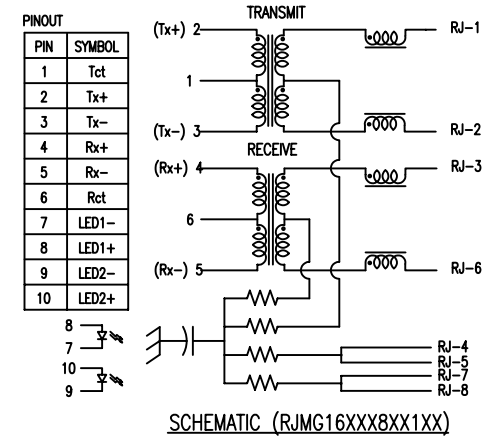
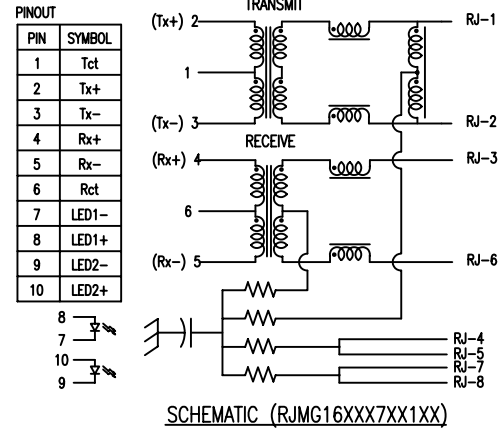
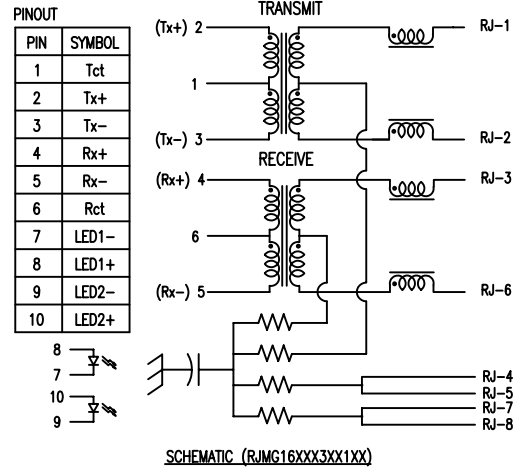
RECOMMENDED PANEL CUTOUT

TOLERANCE m/m	APPROVALS	DATE	TITLE	Amphenol® Amphenol Corporation	
x. ±0.30	DRAWN Lucy Lee	01/03/06	SINGLE PORT Rjmag CONNECTOR SHIELD, WITH R&C TERMINATION 10/100	SCALE	N.A.
x.x ±0.25				CHECKED Kevin Xie	SHEET
x.xx ±0.15	APPROVED Joseph Hsu	01/03/06		DRAWING NO.	RJMG16XXXXXX1XX
x.xxx ±0.08	UNIT MM		SIZE	A4	
ANGULAR ±2°	PART NO. RJMG16XXXXXX1XX		DRAWING NO. RJMG16XXXXXX1XX		
UNLESS OTHERWISE SPECIFIED					

This document is the property of Amphenol Corporation and is delivered on the express condition that it is not to be disclosed, reproduced or used, in whole or in part, for manufacture or sale by anyone other than Amphenol Corporation without its prior consent, and that no right is granted to disclose or to use any information in this document.

CUSTOMER DRAWING

REVISIONS				
SYM	ECN No.	DESCRIPTION	DATE	APPROVED
E1		RELEASE TO PRODCUTION	01/03/2006	Joseph Hsu



BI-COLOR LED DETAIL

APPROVALS	DATE	TITLE	<h2>Amphenol®</h2> <h3>Amphenol Corporation</h3>
DRAWN Lucy Lee	01/03/06	SINGLE PORT RJmag CONNECTOR SHIELD, WITH R&C TERMINATION	
CHECKED Kevin Xie	01/03/06	10/100	
APPROVED Joseph Hsu	01/03/06		
UNIT MM	SIZE A4	PART NO. RJMG16XXXXXX1XX	SCALE N.A. SHEET 2 OF 4
		DRAWING NO. RJMG16XXXXXX1XX	REV. E1

This document is the property of Amphenol Corporation and is delivered on the express condition that it is not to be disclosed, reproduced or used, in whole or in part, for manufacture or sale by anyone other than Amphenol Corporation without its prior consent, and that no right is granted to disclose or to use any information in this document.

CUSTOMER DRAWING

REVISIONS				
SYM	ECN No.	DESCRIPTION	DATE	APPROVED
E1		RELEASE TO PRODCUTION	01/03/2006	Joseph Hsu

TURN RATIO 1:1±5%

TURN RATIO: 1:2±5%

PARAMETER	TYPE	LIMITS (MAX. OR MIN.)	FREQUENCY RANGE/ TEST CONDITIONS
INSERTION LOSS (RX/TX)	-0.8dB TYP.	-1.0dB MAX.	1-100 MHz
RETURN LOSS (RX/TX)	-22dB TYP. -18dB TYP. -12dB TYP.	-18dB MIN. -18+20log(f/30)dB MIN. -12dB MIN.	1-30 MHz 30-60 MHz 60-80 MHz
DC RESISTANCE	0.5 ohm MIN.	1.0 ohm MAX full 0.5 ohm MAX half	DC
CM-CM REJECTION	-40dB TYP.	-30dB MIN.	0-100MHz
CM-DM REJECTION	-40dB TYP.	-35dB MIN.	0-100MHz
CROSSTALK (PAIR TO PAIR)	-38dB TYP.	-35dB MIN.	0-100MHz
HIPOT (ISOLATION)	2.25KV/1.5KVrms.	2.25KV/1.5KVrms.	60S DC/AC
OCL	500uH TYP.	350uH MIN.	100KHz 8mV DC BIAS

PARAMETER	TYPE	LIMITS (MAX. OR MIN.)	FREQUENCY RANGE/ TEST CONDITIONS
INSERTION LOSS (RX/TX)	-0.8dB TYP.	-1.0dB MAX.	1-10 MHz
RETURN LOSS (RX/TX)	-20dB TYP.	-16dB MIN.	1-10 MHz
DC RESISTANCE	0.5 ohm MIN.	1.0 ohm MAX full 0.5 ohm MAX half	DC
CM-CM REJECTION	-40dB TYP.	-30dB MIN.	0-100MHz
CM-DM REJECTION	-40dB TYP.	-35dB MIN.	0-100MHz
CROSSTALK (PAIR TO PAIR)	-38dB TYP.	-35dB MIN.	0-100MHz
HIPOT (ISOLATION)	2.25KV/1.5KVrms.	2.25KV/1.5KVrms.	60S DC/AC
OCL RECEIVE	500uH TYP.	350uH MIN.	100KHz 8mV DC BIAS
OCL TRANSMIT	75uH TYP.	50uH MIN.	100KHz 8mV DC BIAS

LED PERFORMANCE:

PARAMETER	SINGLE COLOUR		BICOLOUR		UNITS
	GREEN	YELLOW	GREEN	ORANGE	
FORWARD CURRENT IF MAX	30	30	30		mA
REVERSE CURRENT IR MAX	10	10	10		uA
REVERSE VOLTAGE VR MAX	-5	-5	-5		V
T OPERATURE TOP	-40~+85	-40~+85	-40~+85		℃
T SOLDERINGTURE TS	260+/-5	260+/-5	260+/-5		℃
POWER DISS. Pd	100	100	100		mW
INTENSITY Iv	80	40	20	25	MCD
PEAK WAVELENTH	565	585	565	605	nM
FORWARD VOLTAGE TYP	2.5	2.1	2.2	2.0	V
FORWARD VOLTAGE MAX	2.9	2.6	2.6	2.6	V



NOTES:

- DESIGNATORS 1 TO 10 ARE PRINTED WIRE BOARD CONNECTIONS.
- DIFFERENT CAPACITOR VALUES ARE AVAILABLE UPON REQUEST.

APPROVALS	DATE	TITLE	Amphenol® Amphenol Corporation	
DRAWN Lucy Lee	01/03/06	SINGLE PORT RJmag CONNECTOR SHIELD, WITH R&C TERMINATION 10/100	SCALE	N.A.
CHECKED Kevin Xie	01/03/06		SHEET	3 OF 4
APPROVED Joseph Hsu	01/03/06		DRAWING NO.	RJMG16XXXXXX1XX
UNIT MM		SIZE A4	PART NO. RJMG16XXXXXX1XX	REV. E1

This document is the property of Amphenol Corporation and is delivered on the express condition that it is not to be disclosed, reproduced or used, in whole or in part, for manufacture or sale by anyone other than Amphenol Corporation without its prior consent, and that no right is granted to disclose or to use any information in this document.

CUSTOMER DRAWING

REVISIONS				
SYM	ECN No.	DESCRIPTION	DATE	APPROVED
E1		RELEASE TO PRODCUTION	01/03/2006	Joseph Hsu

MATERIALS:

INSULATOR: THERMOPLASTIC POLYESTER,
 COLOR: BLACK
 FLAMMABILITY RATING UL 94V-0

CONTACTS (RJMG): PHOSPHOR BRONZE
 PLATING: SELECTIVE GOLD OVER MATING SURFACES.
 100 MICROINCHES BRIGHT TIN ON TAILS.

SHIELD: COPPER ALLOY T=0.2MM,
 NICKEL 50u"MIN, PRE-SOLDERING ON GROUND TAB.

DIMENSIONS MARKED WITH "*" SHALL BE MEASURED.

MECHANICAL FEATURES:

SOLDERABILITY: MIL-STD-202,METHOD 208.

MATING/UNMATING FORCE:

RJ PORT MATING/UNMATING 2.1Kg MAX

RETENTION FORCE FOR RJ PORT: 5Kg FOR 1 MINUTE

PACKAGING: 50PCS/PLASTIC TRAY,12 TRAYS/CARTON

MEET FCC PART 68.500 REQUIREMENTS.

Environmental

OPERATING TEMPERATURE:0°C TO +70°C.

STORAGE TEMPERATURE:-40°C TO +105°C.

SOLDERING TEMPERATURE: 220°C FOR 10 SECONDS

ALTITUDE OPERATING RANGE: SEA LEVEL TO 3000m

Humidity: per MIL-STD-1344A,method 1002.1, test condition B

Thermal Shock: per MIL-STD-1344A,method 1003.1, test condition A

Vibration: per MIL-STD-1344A,method 2005.1, test condition J

Mechanical Shock: per MIL-STD-1344A,method 2004.1, test condition C

Salt Spray: 24 hours per MIL-STD-1344A,method 1001.1, test condition B

RJMG1-6 X X X - X X -X 1 X X

SHIELD OPTIONS
 3: STANDARD SHIELD WITH SIDE TABS

LED1 (RIGHT SIDE)

- 1: GREEN
- 2: YELLOW
- 4: GREEN/YELLOW
- 6: GREEN/ORANGE

LED2 (LEFT SIDE)

SEE LED1

TERMINATION OPTIONS

- 3: 4x75 OHM RESISTORS, 68pf (2KV)
- 7: 4x75 OHM RESISTORS, 1000pf (2KV)
 TRANSMIT SHUNT CHOKE
- 8: 4x75 OHM RESISTORS, 1000pf (2KV)
- 9: 4x75 OHM RESISTORS, 1000pf (2KV)
 TRANSMIT SHUNT CHOKE
- B: 4x75 OHM RESISTORS, 1000pf (2KV) SPECIAL

NOTE: TERMINATION OPTIONS "7", "9","B"
 ONLY AVAILABLE FOR 1:1 TURN RATIO.

COMPLIANCE CODE
 BLANCK: NONE-ROHS
 R: RoHS Compliant

PLATING THICKNESS ON MATING CONTACTS AND SHIELD SPEC

- L: Gold Flash, Copper Alloy Shield with Nickel 50u inch min
- M: Gold 15u in, Copper Alloy Shield with Nickel 50u inch min
- N: Gold 30u in, Copper Alloy Shield with Nickel 50u inch min

TIA WIRING
 0: STANDARD

URNS RATIO (TRANSMIT)

- 1: 1:1
- 6: 1:2



APPROVALS		DATE	TITLE			
DRAWN	Lucy Lee	01/03/06	SINGLE PORT RJmag CONNECTOR SHIELD, WITH R&C TERMINATION			
CHECKED	Kevin Xie	01/03/06	10/100			
APPROVED	Joseph Hsu	01/03/06				
UNIT		MM	SIZE	PART NO.	DRAWING NO.	REV.
			A4	RJMG16XXXXXX1XX	RJMG16XXXXXX1XX	E1
SCALE			N.A.		SHEET 4 OF 4	