

MW159

100 Watt Medical Adapter Family



- 100-240VAC Universal Input
- IPX1 Waterproof
- Low Life-Cycle Operation Cost
- Desktop Style
- Complies with EMI/RFI Regulations
- CE compliant (EMC, WEEE, RoHS)
- Impact Resistant, Non-vented Polycarbonate Enclosure
- Modified and Custom Designs also Available



International Safety Standard Approvals



Specifications

Output Specifications

Line and Load Voltage Regulation	Excluding Cord	±1%
Ripple		1% V _{p-p} max.
Transient Response		5ms max. for 50% load change, slew rate of 0.1A/μs
Protection		Cycle-by-cycle current limiting, automatic recovery for overload, short circuit or over temperature protection; active OVP

Input Specifications

Voltage	100-240VAC nominal
Line Frequency	47-63Hz
Input Current	2.0A max.
Protection	Input fuse, inrush limited

Environmental Specifications

Thermal Performance	Operating Temperature	0° C to 40° C with no Derating
Cooling	Convectional	Non-ventilated Enclosure
Relative Humidity	Non-condensing	5% to 95%
Altitude		0-10,000 feet
Storage Temp		-30° C to +85° C

General Specifications

Topology	Active PFC and DC-DC converter
Efficiency	up to 86% typical
Certifications	UL60601-1, EN60601-1, IEC60601-1
Hold-up Time	>16ms at 120V input, typical
MTBF	>200,000 Hours
Weight	24.4 oz (691g)
Case and Dimension	6.6L X 3.2W X 1.6H (in) 167L X 82W X 40H (mm)
Case Material	94V-0 Polycarbonate, Black
Cord	3.28ft (1m), 2-conductor, 18AWG standard for 18V, 24V output 3.28ft (1m), 4-conductor, 22AWG standard for 12V, 15V output

MW159

100 Watt Medical Adapter Family

For the most current data and application support visit www.slpower.com

Ault Part Number	Output Voltage	Output Currents		Max Watts
		Min	Max	
MW159RA1251F01	12 V	0.00 A	6.66 A	80.0 W
MW159RA1551F01	15 V	0.00 A	5.33 A	80.0 W
MW159RA1803F01	18 V	0.00 A	5.00 A	90.0 W
MW159RA2403F01	24 V	0.00 A	4.20 A	100.0 W

Ault Part Number Key

MW159	R	A	12	51	F	01
Product Family Name	Manufacturing Location	Type Revision	Output Voltage	Output Connector Style	Input Connector Style	Standard Item (other numbers for custom)

General Specifications (continued from p. 1)

EMI Compliance
 EN55011 and FCC PART15 conducted and radiated Class B
 IEC 61000-3-2 Class D
 IEC 61000-4-2 (ESD), CD level 2 and AD level 3, criterion B
 IEC 61000-4-3 (RFS), level 2, criterion A
 IEC 61000-4-4 (EFT), level 2, criterion A
 IEC 61000-4-5 (Surge), level 3, criterion B

Input Connectors



IEC320
 w/ground
 C14
 (F)

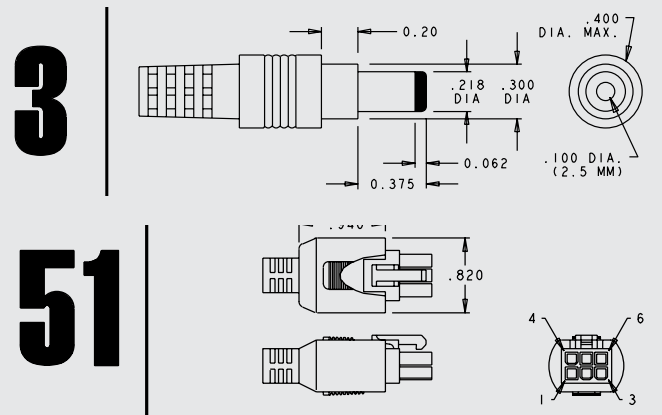
Optional Features

Various output cord wire gauges and connector styles available. See Ault connector style sheets for connector options

"Power-on" LED

Private label marking

Output Connectors



Ault #3, #51 high-retention barrel connector standard



SL Power Electronics Corp • 6050 King Drive • Ventura, CA 93003 • Phone:805.486.4565 • Fax:805.487.8911 • Email:info@slpower.com • www.slpower.com

Data Sheet © 2008 SL Power Electronics Corp. The information and specifications contained in this data sheet are believed to be correct at time of publication.

However, SL Power accepts no responsibility for consequences arising from reproduction errors or inaccuracies. Specifications are subject to change without notice.

Rev.3/20/08