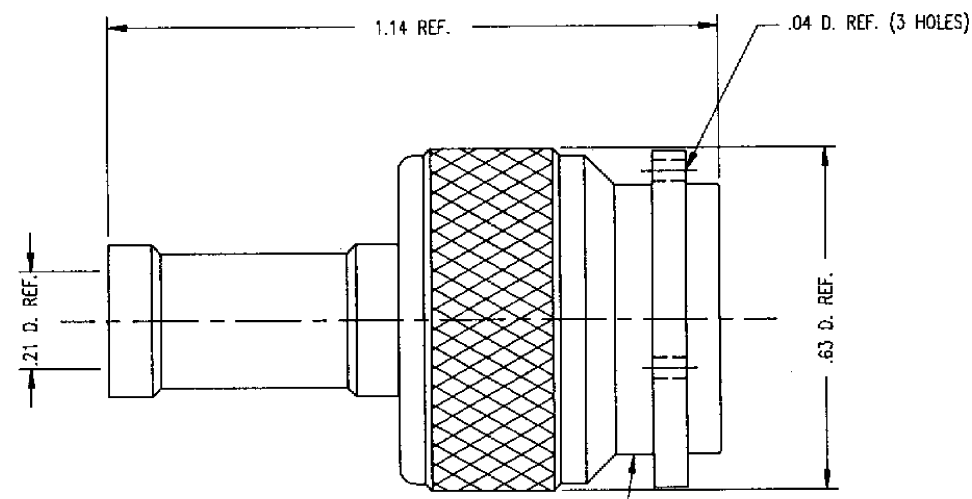


DASH NO.	M CODE	MADE FROM
----------	--------	-----------

GSD

KA-59-277

REVISIONS	
ISSUE	CHANGES
5	CN 31044 C KH 9 AUG 89



STAMP: KINGS KA-59-277

NOTES:

- FOR USE WITH RG-58/U, BA-5903 & RAYCHEM 09-058 CABLE.
- FOR CABLE TRIMMING USE KTJ-149 & KTD-166.
- FOR FORMING USE CRIMP DIE SIZE 61.
- FOR CABLING INSTRUCTIONS SEE CP-5401.
- MARK PACKAGE: KINGS KA-59-277
XX XX (DATE CODE)
- MATERIALS:
INSULATOR: TEFLON, L-P-403
GASKET: SIL. RUB., ZZ-R-765
K-GRIP SLEEVE: COM. BRONZE TUBE, ALLOY 220
OUTER CONTACT: BER. COP., QQ-C-530
ALL OTHER PARTS: BRASS, QQ-B-626
- FINISHES:
CENTER CONTACT: HARD GOLD PLT. PER MIL-G-45204
ALL OTHER METAL PARTS: KINGS TARNISH RESISTANT FINISH (TR-5)
- ELECTRICAL CHARACTERISTICS:
NOMINAL IMPEDANCE: 50 OHMS
VOLTAGE RATING: 500 VRMS
FREQUENCY RANGE: DC TO 11 GHz

SCALE	4:1		
APPROX SURFACE AREA			
USED ON			
REF:			
TNC PLUG			
DRAWN	JCA	DATE	25 APR 90
DESIGN	MJB <i>MS</i>	DATE	26 APR 90
APPR.		DATE	

GSD

KINGS
ELECTRONICS CO., INC.
TUCKAHOE, NEW YORK 10707

KA-59-277