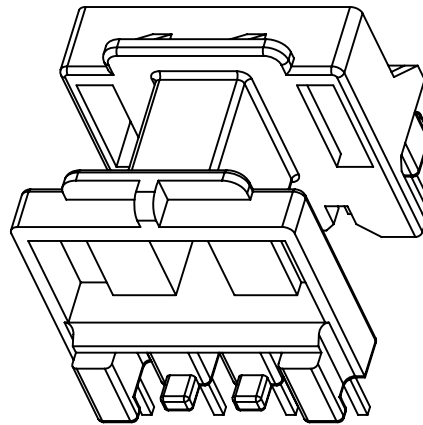
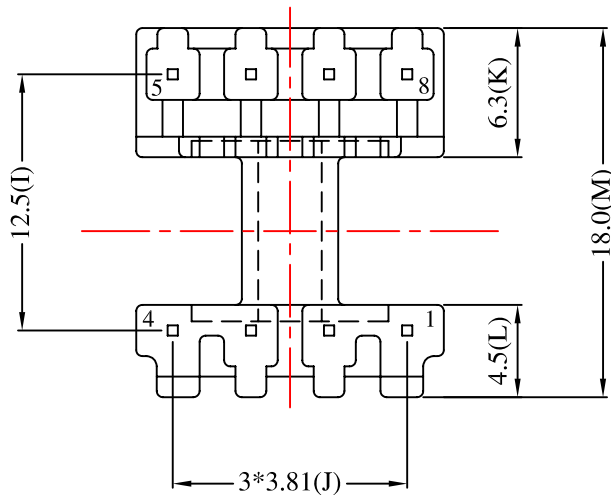
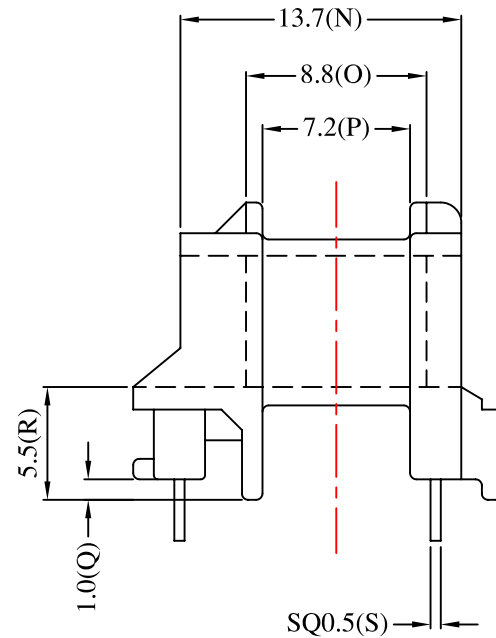
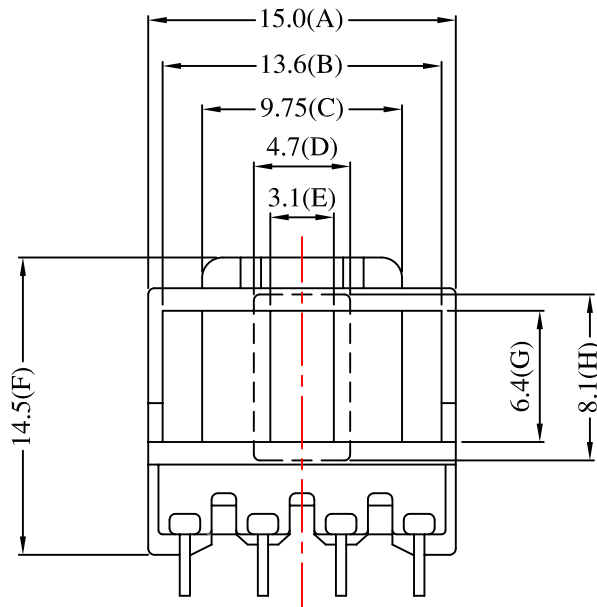


# FERYSTER



## TOLERANCES

BOBBIN MATERIAL: PHENOLIC  
 PIN MATERIAL: CP WIRE  
 UL REC. UL 94V-0

0 < L ≤ 4	±0.1	30 < L ≤ 50	±0.4
4 < L ≤ 16	±0.2	50 < L	±0.5
16 < L ≤ 30	±0.3		