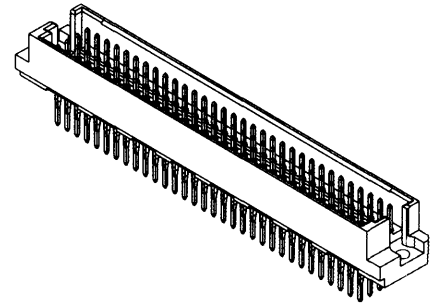


**molex**® **2.54mm (.100") Pitch**  
**DIN 41612/IEC 603-2**  
**Connector**

**85015**  
**Male**  
**Style R+ (4 Row)**  
**Press-Fit**



Backplane Connector Systems



**FEATURES AND SPECIFICATIONS**

**Features and Benefits**

- 4 rows of 32 contacts
- Press-fit termination
- For 1.6 to 4mm backplanes
- FMLB/LMFB pins (extended/recessed) available

**Reference Information**

Packaging: Box  
Tooling: Press-in tool 85089-1081  
UL File No.: E29179  
CSA File No.: LR19980-390  
Mates With: 85054—Right angle female style R+

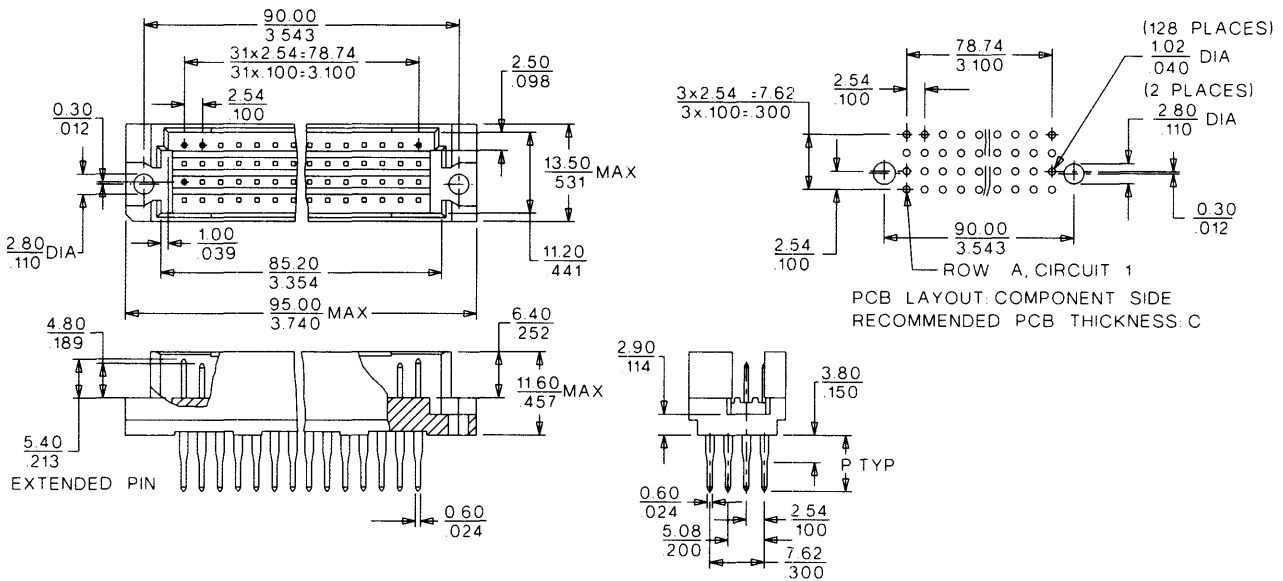
**Electrical**

Current: 1.5A

**Physical**

Housing: Glass-filled polyester, UL 94V-0  
Contact: Bronze  
Operating Temperature: -55 to +125°C

**CATALOG DRAWING (FOR REFERENCE ONLY)**



**ORDERING INFORMATION AND DIMENSIONS**

Circuits	Order No.			Contact Loading	Rows	Press-Fit Tail Dimension P	Option(s)
	Performance Level*						
	1	2	2+2				
128	85015-0165	85015-0036		Full	a, b, c, d	5.8 (.228)	FMLB-8 pins: 1, 32 a, b, c, d
		85015-0141					
		85015-0024	85015-0218				
						13.2 (.520)	

For other versions contact Molex

\* Performance levels based on test conditions per DIN 41612, part 5:

1: >500 mating cycles. 10 day industrial environment (S02)

2: >400 mating cycles. 4 day industrial environment (S02)

2+2: Performance level 2 on mating pin and tail