

FEATURES AND SPECIFICATIONS

Features and Benefits

- 154 Circuits—7 rows by 22 columns
- 133 Circuits—7 rows by 19 columns
- Various pin layouts and lengths for feed-to, feed-through and hot swap options
- M style press-fit pin contact design creates four points of contact for a gas-tight connection
- Internal guide ribs to accommodate shield grounding points

Reference Information

Product Specification: PS-55357-011

Packaging: Tube

UL File No.: E29179

CSA File No.: LR19980

Mates With: [54603](#) Type B receptacles

Designed In: Millimeters

Electrical

Voltage: 500V

Current: 1.0A

Contact Resistance: 30 milliohms max.

Dielectric Withstanding Voltage: 750V AC/1 min.

Insulation Resistance: 10,000 Megohms min.

Physical

Housing: Gray glass-filled PBT, UL 94V-0

Contact: Phosphor Bronze

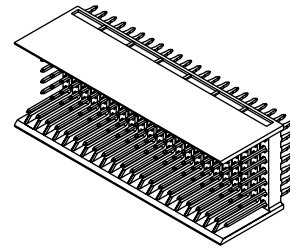
Plating: 0.8 μ m (31 μ in) min. Gold over Nickel

Operating Temperature: -55 to +125°C

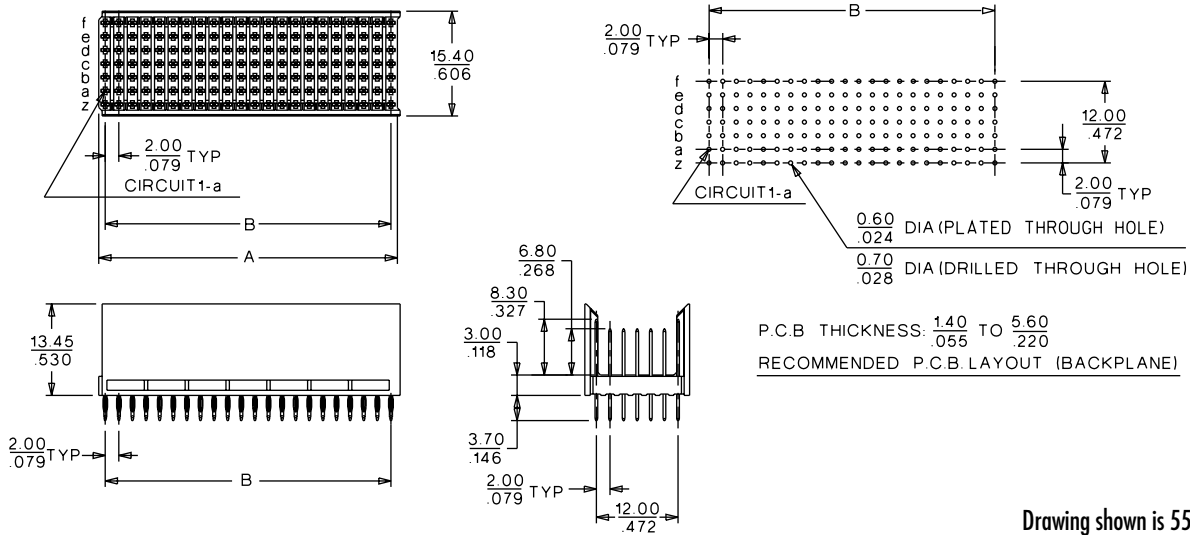


2.00mm (.079") Pitch MZP™ Hard Metric Board-to-Board PCB Plug

55501/55540 Type B, Vertical CompactPCI* Type



CATALOG DRAWING (FOR REFERENCE ONLY)



Drawing shown is 55501-1541

ORDERING INFORMATION AND DIMENSIONS

Circuits	Columns	Order No.		Dimension	
		Short Tail	Long Tail	A	B
154	22	55501-1541	55540-1541	43.90 (1.728)	42.00 (1.654)
133	19	55501-1331	55540-1331	37.90 (1.492)	36.00 (1.417)

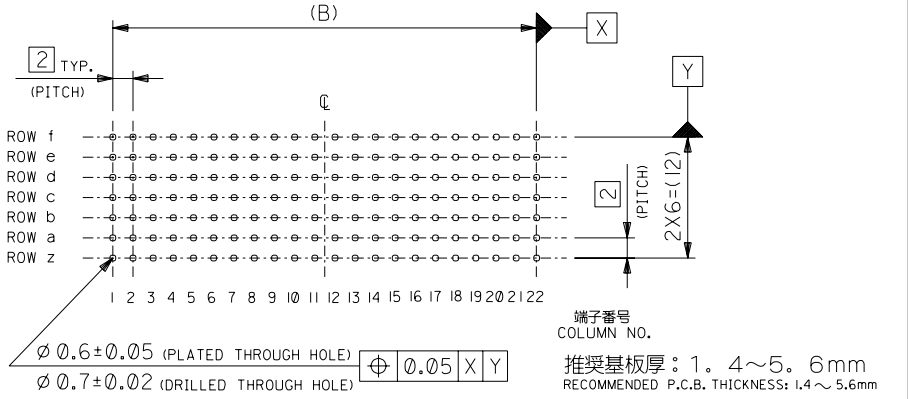
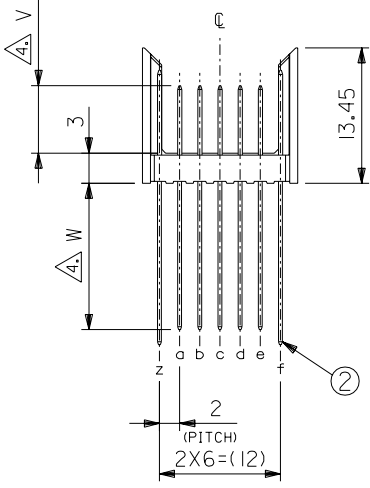
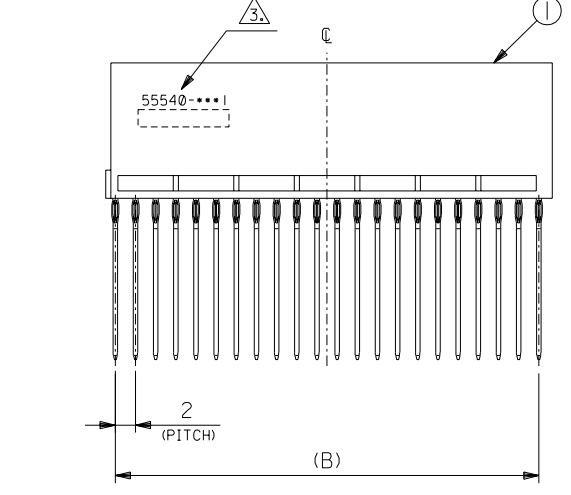
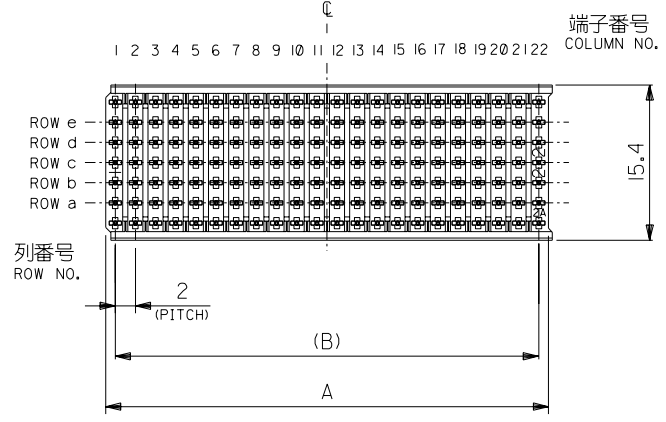
* CompactPCI is a registered trademark of the PCI Industrial Computer Manufacturers Group

Note: See next page for additional ordering details.

Backplane Connector Systems



番号 NO.	部品 PART NAME	材質 MATERIAL	仕上げ FINISH
①	プラグ ハウジング PLUG HOUSING	ポリエステル, ガラス充填, 灰色, UL94V-0 PBT GLASS FILLED, GRAY, UL94V-0	—
②	プラグ ピン PLUG PIN	リン青銅 PHOSPHOR BRONZE	△1



基板穴推奨寸法 (バックプレーン側)
RECOMMENDED P.C.B. LAYOUT (BACKPLANE)

43.9	42	55540-3459	154
37.9	36	55540-3449	133
43.9	42	55540-3439	132
43.9	42	55540-3429	154
43.9	42	55540-3419	154
43.9	42	55540-1549	154
37.9	36	55540-1339	133
A	B	MATERIAL NO.	極数 PIN

DO NOT SCALE DRAWING

EC NO.	REVISED	REVISED	REVISED	RELEASED	DESCRIPTION	MATERIAL 材料	FINISH 仕上げ	WIRE RANGE 適用線径範囲	INS. RANGE 被覆外径
EC NO. J2002-1224 DRWN: M.HORIIKE '02/07/23 CHK: A.NODA '02/07/23 APPR: A.NODA '02/07/23	EC NO. J2002-0149 DRWN: S.ANDO '01/07/23 CHK: A.NODA '01/07/23 APPR: A.NODA '01/07/23	EC NO. JD2001-1010 DRWN: S.ANDO '00/07/19 CHK: A.NODA '00/07/19 APPR: H.IKESUGI '00/07/19	EC NO. JD2000-0646 DRWN: S.ANDO '99/12/27 CHK: A.NODA '99/12/27 APPR: H.IKESUGI '99/12/27			—	—	—	—

GENERAL TOLERANCES: (UNLESS SPECIFIED) 一般公差	SCALE	DESIGN UNITS	THIRD ANGLE PROJECTION	TITLE:
10 UNDER 未滿 ±0.2	2-1	<input checked="" type="checkbox"/> mm <input type="checkbox"/> INCH	<input type="checkbox"/> mm <input type="checkbox"/> INCH	"MZP" B/B CONN. PLUG STRAIGHT ASS'Y COMPACT PCI (LONG TAIL)
10 OVER 30 UNDER 未滿 ±0.25				MATERIAL NO. SD-55540-001.S01
30 OVER 以上 ±0.3				DRAWING NO. SD-55540-001
ANGLE 角度 ±3°				SHEET NO. 1 OF 3

DRAWN BY & DATE	CHECKED BY & DATE	APPROVED BY & DATE	CAD FILENAME	MATERIAL NO.	DRAWING NO.	SHEET NO.
S. Ando '99/12/27	A. Noda '99/12/27	A. Noda '99/12/27	SD-55540-001.S01	SEE TABLE	SD-55540-001	1 OF 3

DIMENSIONS:	SHT	REV
<input type="checkbox"/> mm <input type="checkbox"/> INCH		
<input checked="" type="checkbox"/> mm ONLY		
		REVISE ON CAD ONLY

THIS DRAWING CONTAINS INFORMATION THAT IS PROPRIETARY TO MOLEX INCORPORATED AND SHOULD NOT BE USED WITHOUT WRITTEN PERMISSION.

DWG. NO. SD-55540-001

シーケンス表
SEQUENCE TABLE

55540-3459

T	T	T	T	T	T	T	T	T	T	T	C	C	T	T	T	T	T	T	T	T	T	T	
R	R	R	R	R	R	R	R	R	R	R	R	R	R	R	R	R	R	R	R	R	R	R	R
R	R	R	R	R	R	R	R	R	R	R	R	R	R	R	R	R	R	R	R	R	R	R	R
R	R	R	R	R	R	R	R	R	R	R	R	R	R	R	R	R	R	R	R	R	R	R	R
R	R	R	R	R	R	R	R	R	R	R	R	R	R	R	R	R	R	R	R	R	R	R	R
T	T	T	T	T	T	T	T	T	T	T	C	C	T	T	T	T	T	T	T	T	T	T	T

z
a
b
c
d
e
f

22 21 20 19 18 17 16 15 14 13 12 11 10 9 8 7 6 5 4 3 2 1

注記
NOTES

- 1. ターミナルめっき仕様
TERMINAL PLATING
接点部：金めっき 0.8 μm MIN.
CONTACT AREA：GOLD 0.8 μm MIN.
下地：ニッケルめっき 1.3 μm MIN.
UNDER PLATING：NICKEL 1.3 μm MIN.
- 2. f列及びz列はシールドフレーム用基板穴。
THROUGH HOLE OF ROW f AND ROW z FOR SHIELDING FRAME.
- 3. 製品番号及びロットナンバー
MATERIAL NO. & LOT NO.
- 4. シーケンス表及びコンタクト長さ参照。
REFER TO SEQUENCE TABLE AND CONTACT LENGTH.
コンタクト長さ
CONTACT LENGTH

PIN	V	W
P	6.8	14.5
T	8.3	16
C	8.3	3.7
K	5.3	13
R	5.3	16

DO NOT SCALE DRAWING

EC NO. DRAWN: CHK: APPR:	EC NO. DRAWN: CHK: APPR:	EC NO. DRAWN: CHK: APPR:	EC NO. DRAWN: CHK: APPR:	SEE SHEET NO.1	DESCRIPTION	MATERIAL 材料 #	GENERAL TOLERANCES: (UNLESS SPECIFIED) 一般公差	SCALE 2-1	DESIGN UNITS <input checked="" type="checkbox"/> mm <input type="checkbox"/> INCH	THIRD ANGLE PROJECTION <input checked="" type="checkbox"/> mm <input type="checkbox"/> INCH	DIMENSIONS: <input type="checkbox"/> mm <input type="checkbox"/> INCH <input checked="" type="checkbox"/> mm ONLY	SHT REVISE ON CAD ONLY	REV REVISE ON CAD ONLY
						FINISH 仕上げ #	10 UNDER 未満 ±0.2	DRAWN BY & DATE S. Ando '99/12/27	TITLE: "MZP" B/B CONN. PLUG STRAIGHT ASS'Y COMPACT PCI (LONG TAIL)	MOLEX INCORPORATED	MATERIAL NO. SEE SHEET NO.1	DRAWING NO. SD-55540-001	SHEET NO. 3
						WIRE RANGE 適用電線範囲 #	10 OVER 以上 30 UNDER 未満 ±0.25	CHECKED BY & DATE A. Noda '99/12/27					
						INS. RANGE 被覆外径 #	30 OVER 以上 ±0.3	APPROVED BY & DATE A. Noda '99/12/27					
												ANGLE 角度 #	±3°

DWG. NO. SD-55540-004

F

D

V

C

B

DO NOT SCALE DRAWING

8 7 6 5 4 3 2 1

F

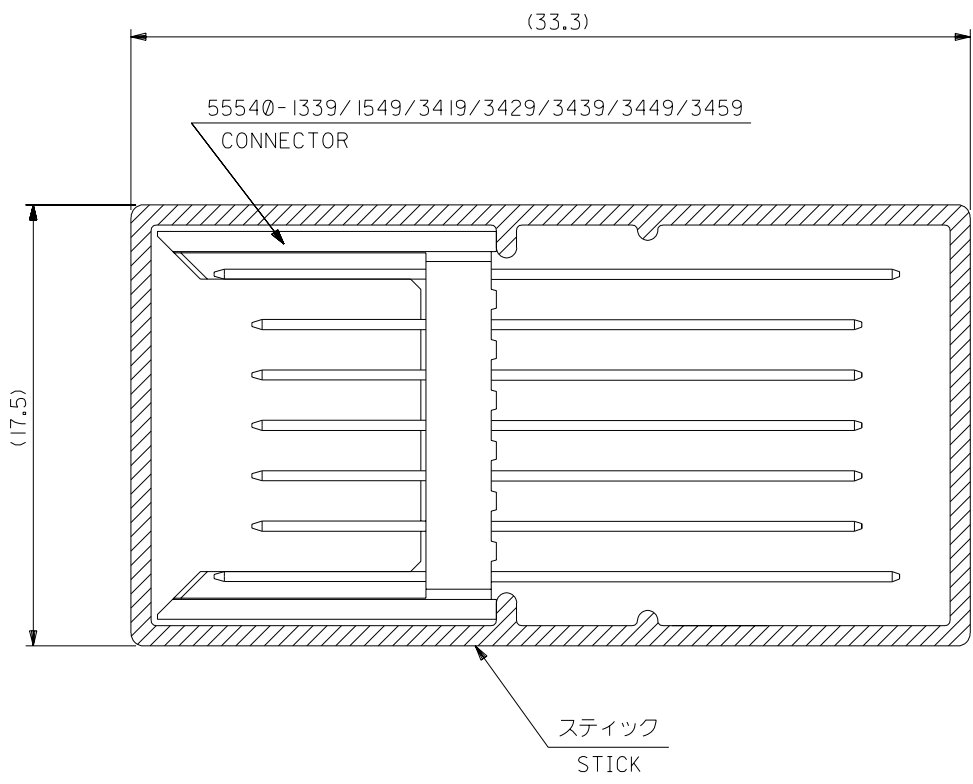
E

D

C

B

A



注記
NOTES

- スティック両端はテープ止め。
BOTH ENDS WITH TAPES.
- 全長：600±2
TOTAL LENGTH: 600±2
- 肉厚：0.8±0.2
THICKNESS: 0.8±0.2

13	55540-3459	55540-3451	154
15	55540-3449	55540-3441	133
13	55540-3439	55540-3431	132
13	55540-3429	55540-3421	154
13	55540-3419	55540-3411	154
15	55540-1549	55540-1541	154
15	55540-1339	55540-1331	133
梱包数 QUANTITY	CONNECTOR	MATERIAL NO.	極数 PIN

EC NO. DRAWN: CHK'G: APPR:	EC NO. DRAWN: CHK'G: APPR:	REVISED EC NO. J2002-1224 DRAWN: M.HORIIKE 02/07/23 CHK'G: A.NODA 02/07/23 APPR: A.NODA 02/07/23	REVISED EC NO. J2002-0149 DRAWN: S.ANDO 01/07/23 CHK'G: A.NODA 01/07/23 APPR: A.NODA 01/07/23	RELEASED EC NO. JD2001-0101 DRAWN: S.ANDO 00/07/19 CHK'G: A.NODA 00/07/19 APPR: H.IKESUGI 00/07/19	DESCRIPTION スティック：ポリ塩化ビニル STICK: PVC	MATERIAL 材料 スティック：ポリ塩化ビニル STICK: PVC	FINISH 仕上げ —	WIRE RANGE 適用電線範囲 —	INS. RANGE 被覆外径 —	GENERAL TOLERANCES: (UNLESS SPECIFIED) 一般公差 10 UNDER 未満 ±0.2 10 OVER 以上 30 UNDER 未満 ±0.25 30 OVER 以上 ±0.3 ANGLE 角度 ±3°	SCALE 5-1 DESIGN UNITS mm INCH THIRD ANGLE PROJECTION	DRAWN BY & DATE S. Ando '00/07/19 CHECKED BY & DATE A. Noda '00/07/19 APPROVED BY & DATE [Signature] '00/07/19 CAD FILENAME SD-55540-004.S01	TITLE: "MZP" B/B CONN. PLUG STRAIGHT ASS'Y COMPACT PCI (LONG TAIL) STICK PACKAGING FOR 55540 MOLEX INCORPORATED	DIMENSIONS: mm INCH mm ONLY	SHT REVISE ON CAD ONLY	
8	7	B	A	0	6	5	4	3	2	1	1	1	1	1	1	1

THIS DRAWING CONTAINS INFORMATION THAT IS PROPRIETARY TO MOLEX INCORPORATED AND SHOULD NOT BE USED WITHOUT WRITTEN PERMISSION.