

FEATURES AND SPECIFICATIONS

Features and Benefits

- 95 Circuits—5 rows by 19 columns
- 110 Circuits—5 rows by 22 columns
- 125 Circuits—5 rows by 25 columns
- Split-beam receptacle contact design provides smooth insertion and strong contact retention
- M style press-fit pin contact design creates four points of contact for a gas-tight connection
- Surface Mount Compatible

Reference Information

Product Specification: PS-55357-011

Packaging: Tube

UL File No.: E29179

CSA File No.: LR19980

Mates With: [55351](#), [55357](#) and [55376](#) Type B 5-row plugs

Use With: [59105](#) lower shield

Designed In: Millimeters

Electrical

Voltage: 500V

Current: 1.0A

Contact Resistance: 30 milliohms max.

Dielectric Withstanding Voltage: 750V AC/1 min.

Insulation Resistance: 10,000 Megohms min.

Physical

Housing: White glass-filled LCP, UL 94V-0

Contact: Phosphor Bronze

Plating:

Contact Area—0.8 μ m (31 μ "") min. Gold over Nickel

Press-Fit Area—0.5 μ m (20 μ "") min. Tin/Lead over Nickel

Cover: White glass-filled LCP, UL 94V-0

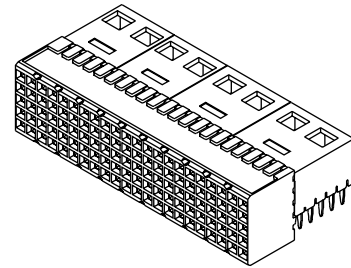
Operating Temperature: -55 to +125°C



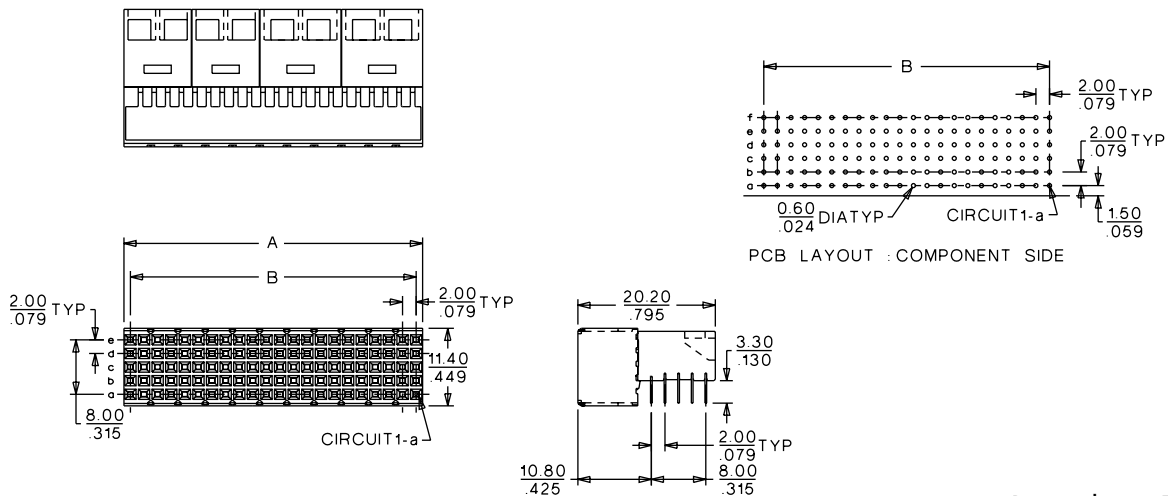
2.00mm (.079") Pitch MZP™ Hard Metric Board-to-Board PCB Receptacle

54457/54603

Type B, Right Angle



CATALOG DRAWING (FOR REFERENCE ONLY)



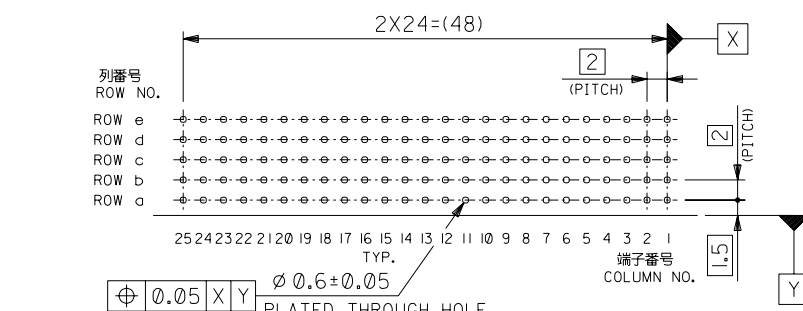
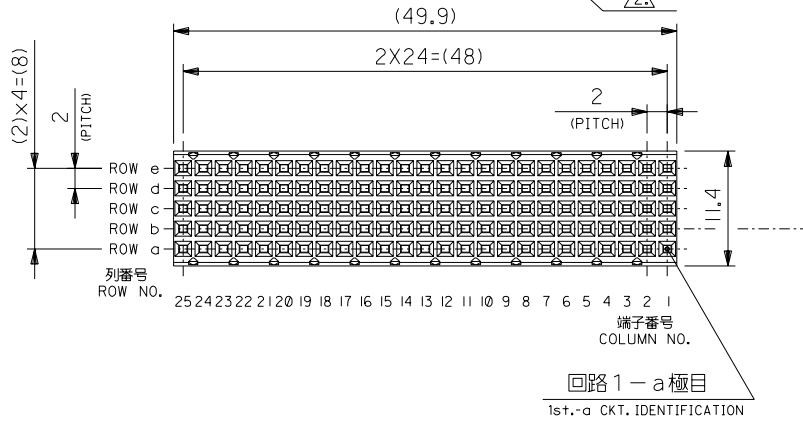
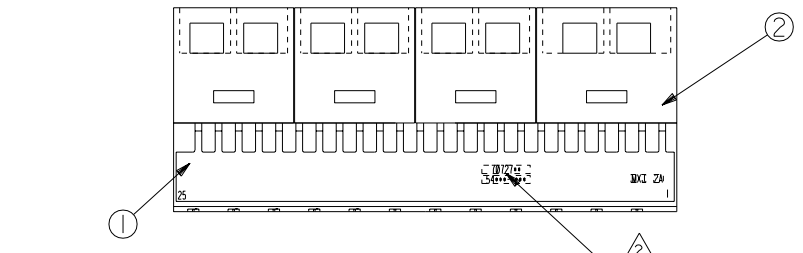
Drawing shown is 54603-1101

ORDERING INFORMATION AND DIMENSIONS

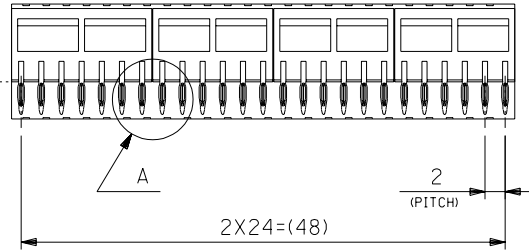
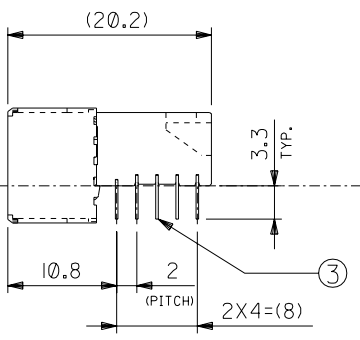
Circuits	Order No.	Dimension	
		A	B
125	54457-1251	49.90 (1.965)	48.00 (1.890)
110	54603-1101	43.90 (1.728)	42.00 (1.654)
95	54603-0951	37.90 (1.492)	36.00 (1.417)



DWG. NO. SD-54457-002



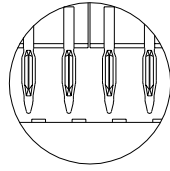
番号 No.	部品 PART NAME	材質 MATERIAL	仕上げ FINISH
①	リセプタクル ハウジング RECEPTACLE HOUSING	液晶ポリマー、ガラス充填、自然色(白)、UL94V-0 LCP, GLASS FILLED, NATURAL(WHITE), UL94V-0	—
②	リセプタクル カバー RECEPTACLE COVER	液晶ポリマー、ガラス充填、自然色(白)、UL94V-0 LCP, GLASS FILLED, NATURAL(WHITE), UL94V-0	—
③	リセプタクル ターミナル RECEPTACLE TERMINAL	りん青銅 PHOSHOR BRONZE	△1



注記
NOTES

- △1 ターミナルめっき仕様
TERMINAL PLATING
金めっき: 0.8 μm MIN. (接点部)
GOLD: 0.8 μm MIN. (CONTACT AREA)
半田めっき: 0.5 μm MIN. (プレスフィット部)
TIN-LEAD: 0.5 μm MIN. (PRESS-FIT AREA)
ニッケルめっき: 1.3 μm MIN. (下地めっき)
NICKEL: 1.3 μm MIN. (UNDER PLATING)
- △2 製品番号及びロットナンバー
MATERIAL NO. & LOT NO.

PRESS-FIT TAIL



DETAIL A
(SCALE:4-1)

基板穴推奨寸法 (部品実装)
RECOMMENDED P.C.B. LAYOUT (COMPONENT SIDE)

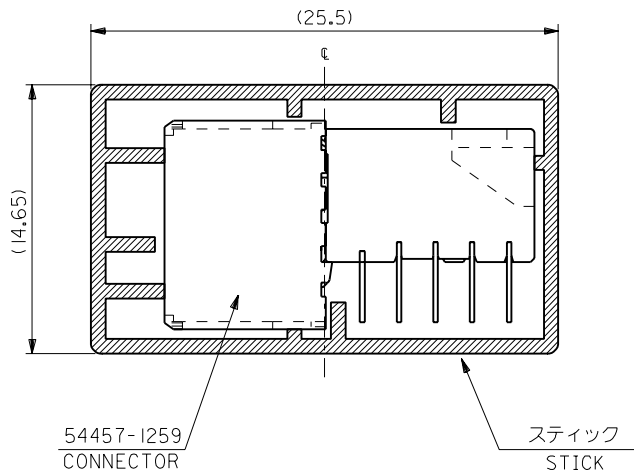
DO NOT SCALE DRAWING

EC NO. DRWN: CHK: APPR:	EC NO. DRWN: CHK: APPR:	REVISED J2002-2423 S.ANDO A.NODA A.NODA	REVISED JD2000-1248 S.HOSIKAWA A.NODA H.IKESUGI	RELEASED JD2000-0529 S.HOSIKAWA A.NODA H.IKESUGI	MATERIAL 材料	—	GENERAL TOLERANCES: (UNLESS SPECIFIED) 一般公差	SCALE 2-1	DESIGN UNITS <input checked="" type="checkbox"/> mm <input type="checkbox"/> INCH	THIRD ANGLE PROJECTION	DIMENSIONS: <input type="checkbox"/> mm <input type="checkbox"/> INCH <input checked="" type="checkbox"/> mm ONLY	SHT REV	REVISE ON CAD ONLY					
					FINISH 仕上げ									—	10 UNDER 未満	±0.2	DRAWN BY & DATE <i>S. Hosikawa</i>	TITLE: "MZP" B/B CONN. RECEPTACLE R/A ASS'Y TYPE B
					WIRE RANGE 適用層被覆範囲									—	10 OVER 以上	±0.25	CHECKED BY & DATE <i>A. Noda</i>	
					INS. RANGE 被覆外径									—	30 UNDER 未満	±0.3	APPROVED BY & DATE <i>S. Hosikawa</i>	
EC NO. DRWN: CHK: APPR:	EC NO. DRWN: CHK: APPR:	EC NO. DRWN: CHK: APPR:	EC NO. DRWN: CHK: APPR:	EC NO. DRWN: CHK: APPR:	REV	WIRE RANGE 適用層被覆範囲	ANGLE 角度	CAD FILENAME SD-54457-002.S01	MATERIAL NO. SEE TABLE	DRAWING NO. SD-54457-002	SHEET NO. 1 OF 1	SIZE B						

THIS DRAWING CONTAINS INFORMATION THAT IS PROPRIETARY TO MOLEX INCORPORATED AND SHOULD NOT BE USED WITHOUT WRITTEN PERMISSION.

SD-54457-002.S01

DWG. NO.
SD-54457-020



注記
NOTES

1. スティック両端はテープ止め。
BOTH ENDS WITH TAPES.
2. 全長：600±2mm
TOTAL LENGTH : 600±2mm
3. 肉厚：0.8±0.2mm
THICKNESS : 0.8±0.2mm

II	54457-1251	125
梱包数 QUANTITY	MATERIAL NO.	極数 PIN

MODEL NO. : 54457-1251		DIMENSIONS:		SHT	REV
SCALE	DESIGN UNITS	PROJECTION	ANGLE	mm	INCH
4-1	<input checked="" type="checkbox"/> mm <input type="checkbox"/> INCH	<input type="checkbox"/> mm <input type="checkbox"/> INCH	<input checked="" type="checkbox"/> mm ONLY	mm	INCH
DRAWN BY & DATE		TITLE: "MZP" B/B CONNECTOR			
CHECKED BY & DATE		54457-1259			
APPROVED BY & DATE		STICK PACKAGING			
CAD FILE NAME		MATERIAL NO.		DRAWING NO.	
SD-54457-020.S01		SEE CHART		SD-54457-020	
THIS DRAWING CONTAINS INFORMATION THAT IS PROPRIETARY TO MOLEX INCORPORATED AND SHOULD NOT BE USED WITHOUT WRITTEN PERMISSION.				SHEET NO.	
				1 OF 1	
				SIZE	
				B	

DO NOT SCALE DRAWING	EG4NO. DRWN: CH/K APPR: APPR:	EG3NO. DRWN: CH/K APPR: APPR:	REVISED EG2NO. JD2001-0854 DRWN: YU.HASEGAWA '00/12/19 CH/K: A.NODA APPR: H.IKESUGI	REVISED EG1NO. JD2000-1274 DRWN: Y.ARTIAMI '00/05/25 CH/K: A.NODA APPR: H.IKESUGI	RELEASED EG0NO. JD2000-1248 DRWN: S.HOSHIKAWA '00/05/18 CH/K: A.NODA APPR: H.IKESUGI	DESCRIPTION	MATERIAL 材料	GENERAL TOLERANCES: (UNLESS SPECIFIED) 一般公差	SCALE	DESIGN UNITS	PROJECTION	ANGLE	FINISH 仕上げ	WIRE RANGE 適用線径範囲	INS. RANGE 被覆外径
						スティック:ポリ塩化ビニル STICK : P.V.C.	10 UNDER 未満	+0.2	4-1	<input checked="" type="checkbox"/> mm <input type="checkbox"/> INCH	<input type="checkbox"/> mm <input type="checkbox"/> INCH	<input checked="" type="checkbox"/> mm ONLY	#	#	#
							10 OVER 以上	+0.25							
							30 OVER 以上	+0.3							
							ANGLE 角度	+3°							

SD-54457-020.S01