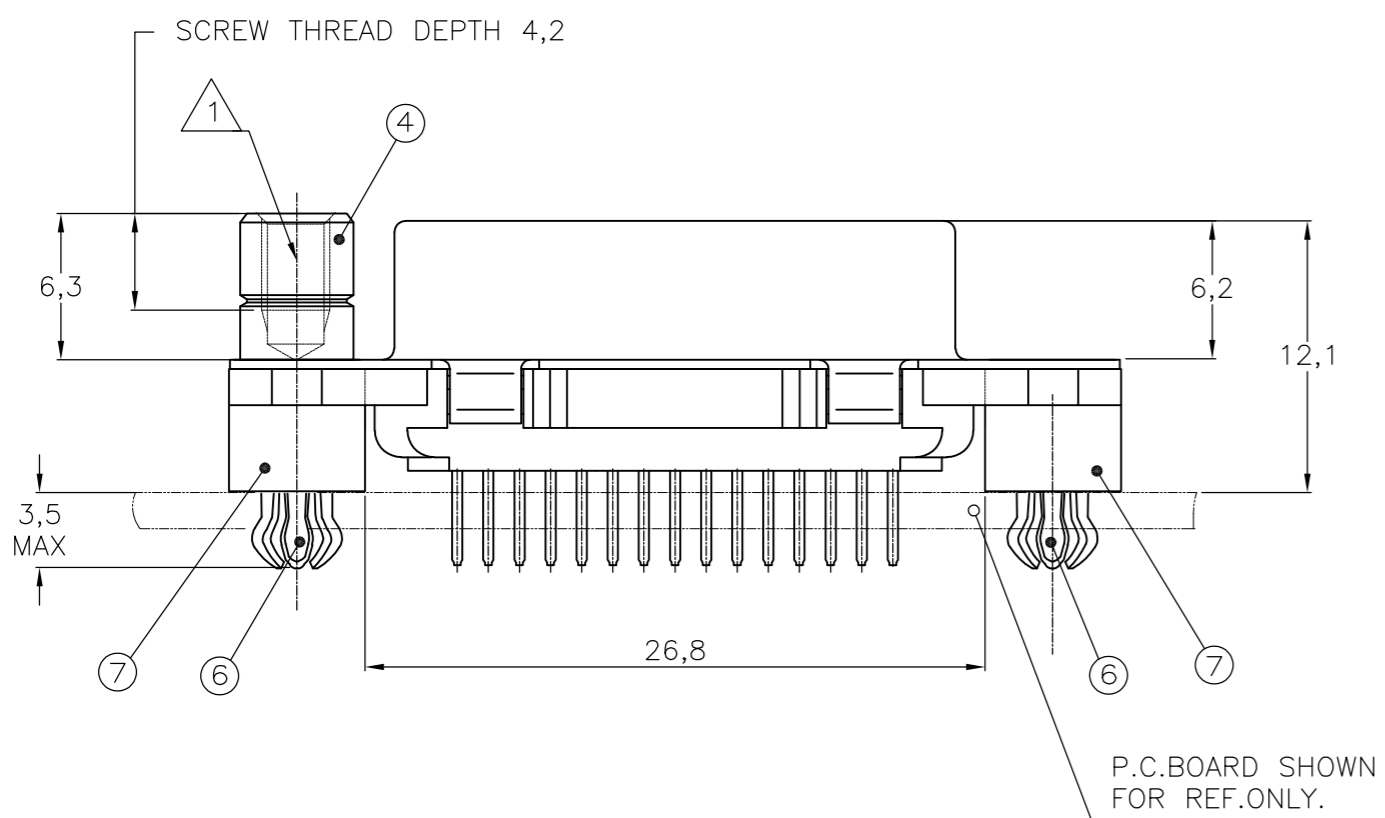
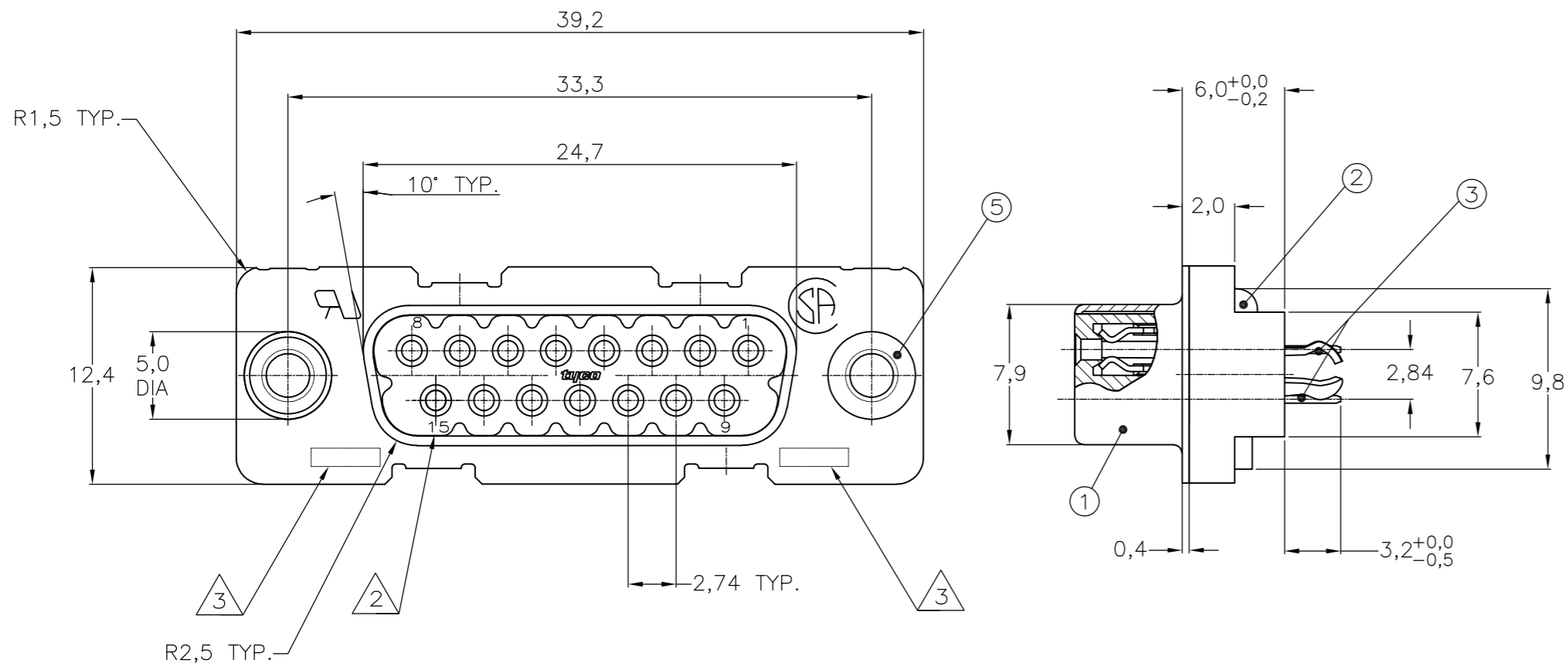
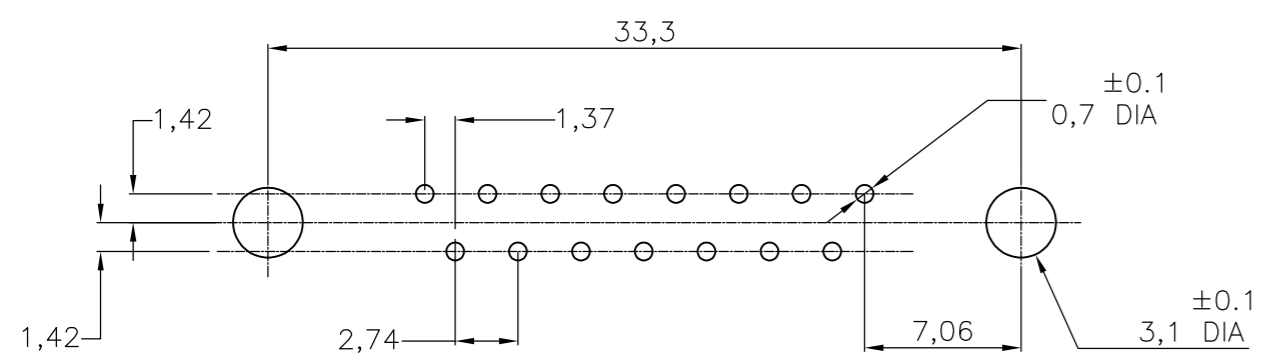


THIS DRAWING IS UNPUBLISHED. RELEASED FOR PUBLICATION
 © COPYRIGHT - By - ALL RIGHTS RESERVED.

LOC		DIST		REVISIONS			
P	LTR	DESCRIPTION		DATE	DWN	APVD	
H	-	F1	REVISED PER ECO-11-005294	02APR11	RK	HMR	



RECOMMENDED P.C. BOARD HOLE-LAYOUT



ITEM NR.	DESCRIPTION OF ACCESSORY	1	2	3	4	5	6	7	8	9
5	BUSHING WITH THROUGHHOLE 3,1 DIA.									
5	BUSHING WITH THREAD 4-40 UNC		2						2	
5	BUSHING WITH THREAD M3			2						2
4	FEMALE SCREWLOCK WITH THREAD 4-40 UNC				2					2
4	FEMALE SCREWLOCK WITH THREAD M3					2				2
6	BOARDLOCK	2	2	2	2					

HOW TO ORDER:

15 POS.-----> Z-338314-Y

PREFIX FOR ACCESSORIES }
 BASIC PARTNR. }
 SUFFIX FOR PLATING }

PLATING SUFFIX "Y"

GOLD OVER NICKEL AS PER PERFORMANCE LEVEL 2 (DIN 41652)
 SOLDER-PART :TIN-PLATING 3µm } -Y = -2

- 1 GROOVE INDICATES VERSION WITH 4-40 UNC INNER THREAD; WITHOUT GROOVE INDICATES VERSION WITH M3 INNER THREAD.
- 2 CAVITY IDENTIFICATION AT FRONT SIDE ONLY.
- 3 PARTNUMBER AND DATE CODE.
- 4. WHEN BOARDLOCKS ARE USED, CONNECTOR CAN BE USED FOR PCB THICKNESS OF 1,6 mm ONLY.
- 5. AIR AND CREEPAGE DISTANCES ACCORDING TO DIN 41652

- ITEM NRS./MATERIAL :**
- 1 SHELL = BRIGHT TINPLATED STEEL
 - 2 HOUSING = GLASSFILLED POLYESTER, COLOR : BLACK
 - 3 CONTACTS = PHOSPHORBRONZE (PLATING : SEE TABLE ABOVE)
 - 4 FEMALE SCREWLOCK = TINPLATED STEEL (INNER THREAD 4-40 UNC OR M3)
 - 5 BUSHING = TINPLATED STEEL (INNER THREAD 4-40 UNC OR M3 OR 3,1 DIA. THROUGHHOLE)
 - 6 BOARDLOCK = TINPLATED PHOSPHORBRONZE
 - 7 STAND OFF = ULTRAMID VO COLOR : BLACK

THIS DRAWING IS A CONTROLLED DOCUMENT.		DWN J.v.LIEMPT 01JUL97	STE TE Connectivity	
DIMENSIONS: mm		CHK C.SOUISA 09SEP97		
TOLERANCES UNLESS OTHERWISE SPECIFIED:		APVD E.LEIJTENS 09SEP97	NAME HDP-20 SIZE 2 VERTICAL++ RECEPTACLE HEADER; WITH SOLDER CONTACTS	
0 PLC ± -		PRODUCT SPEC	SIZE A2 CAGE CODE 00779 DRAWING NO C=338314 RESTRICTED TO	
1 PLC ± -		APPLICATION SPEC	SCALE NTS SHEET 1 OF 1 REV F1	
2 PLC ± -		WEIGHT -		
3 PLC ± -		CUSTOMER DRAWING		
4 PLC ± -				
ANGLES ± -				
FINISH -				