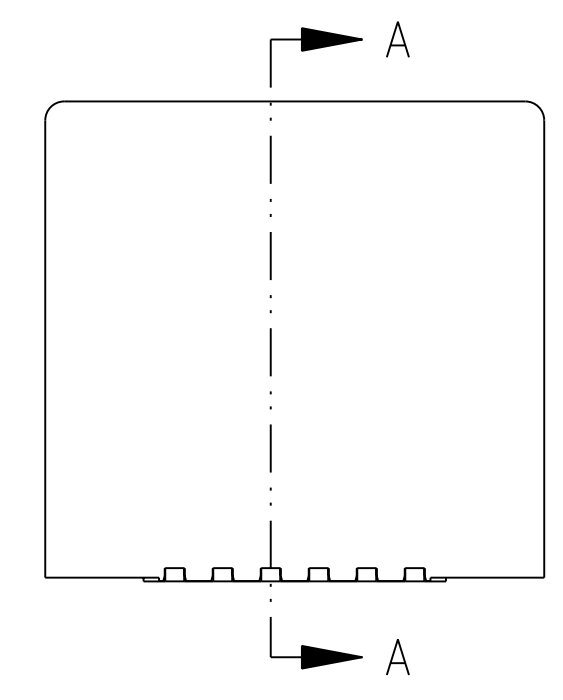
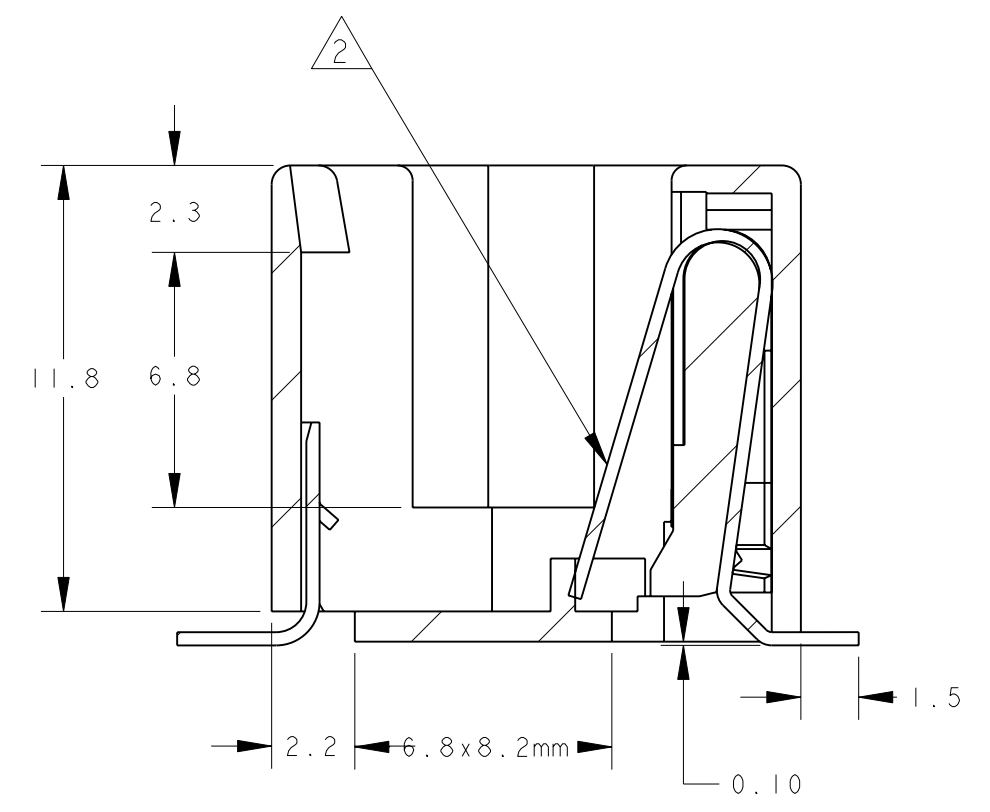
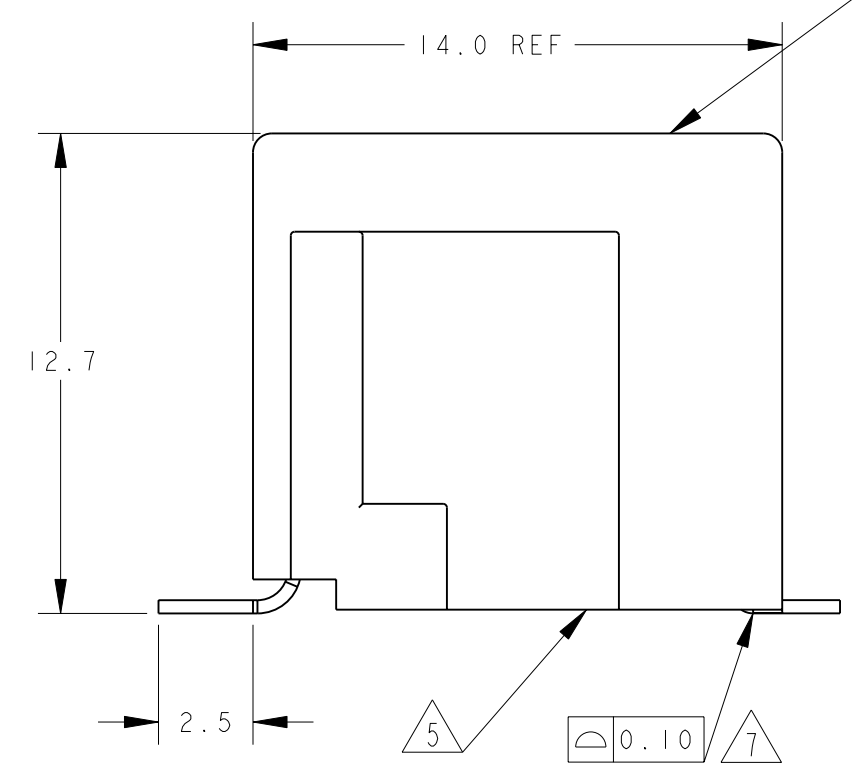
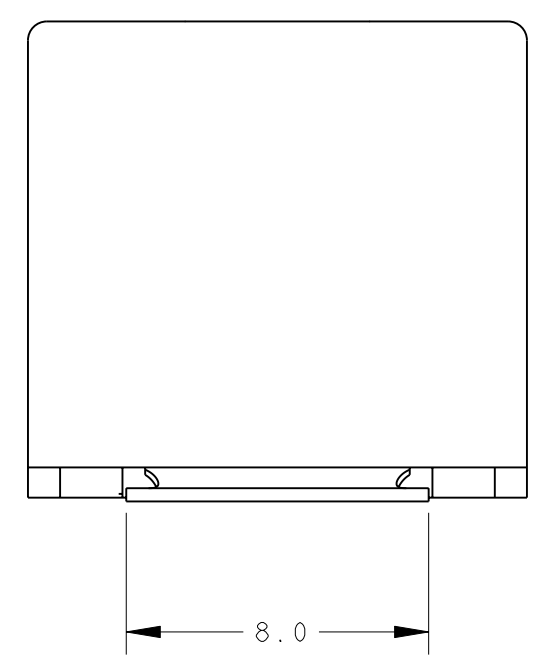
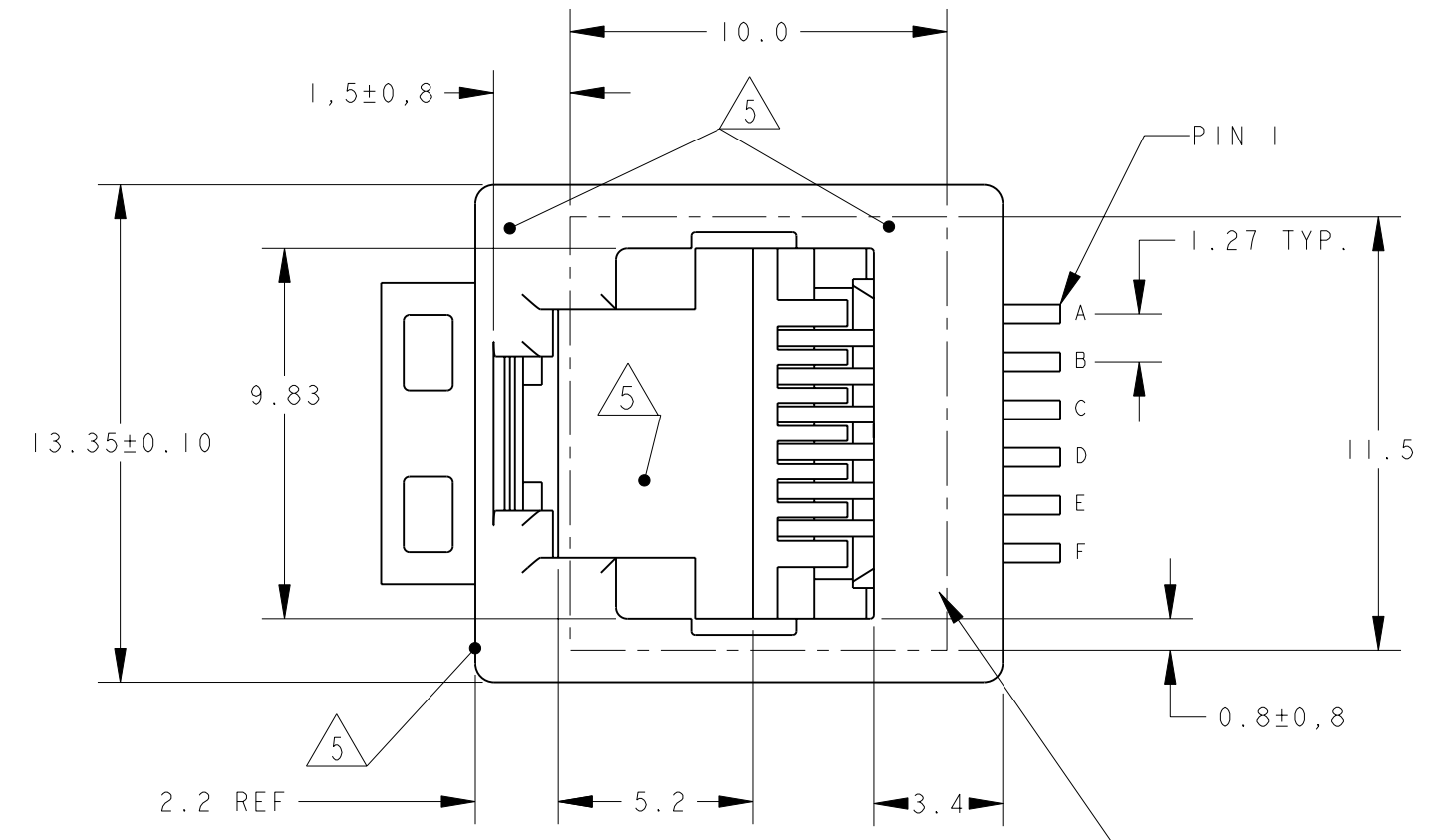
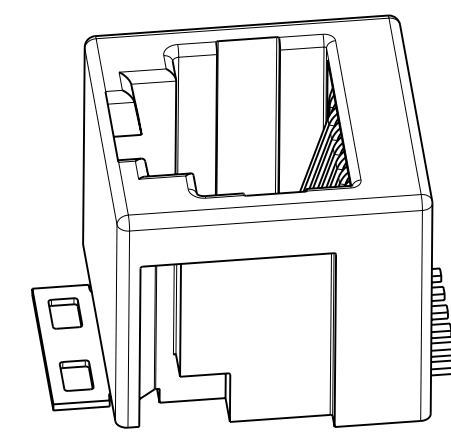


THIS DRAWING IS UNPUBLISHED. RELEASED FOR PUBLICATION  
 © COPYRIGHT - TE CONNECTIVITY ALL RIGHTS RESERVED.

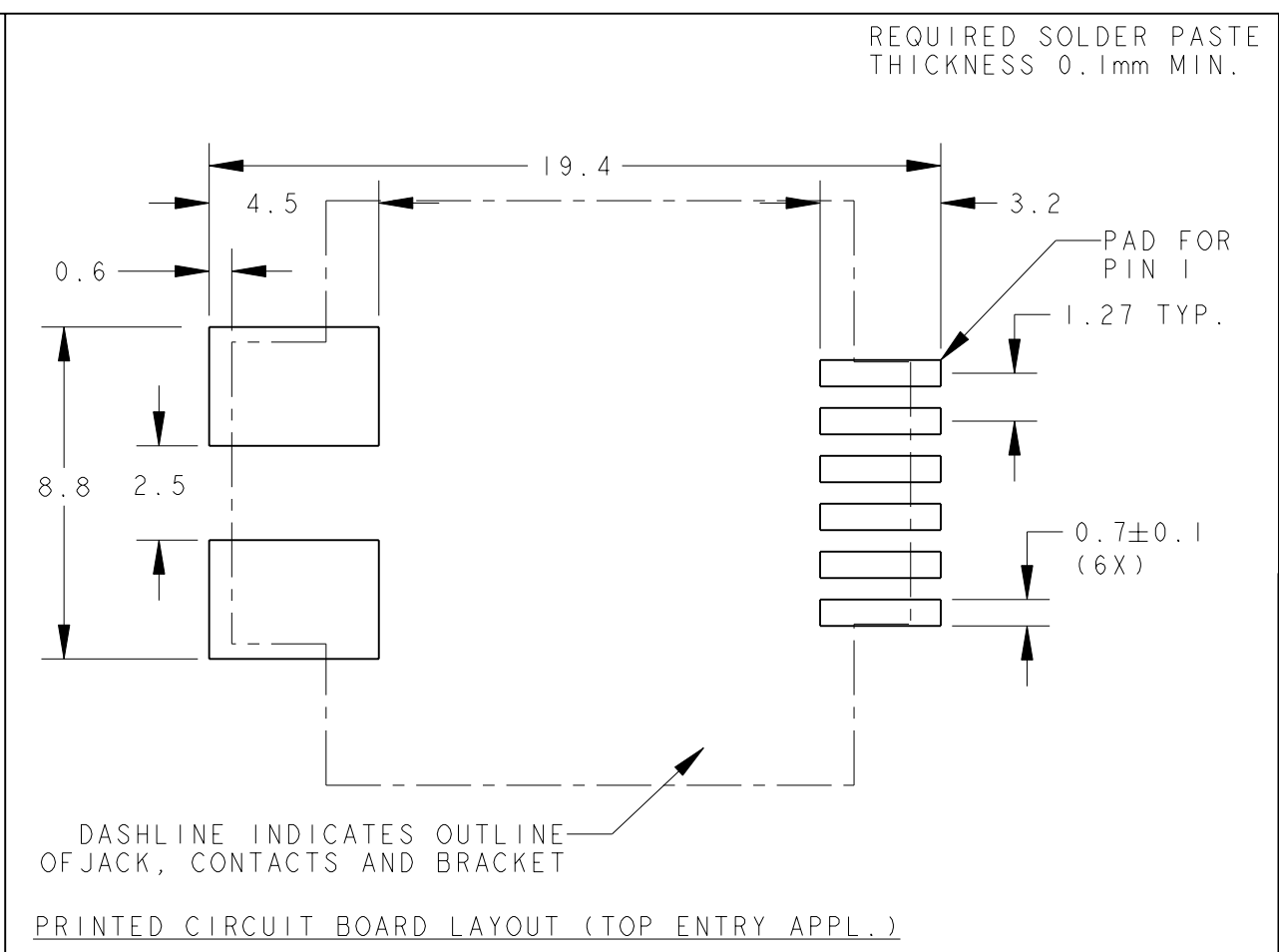
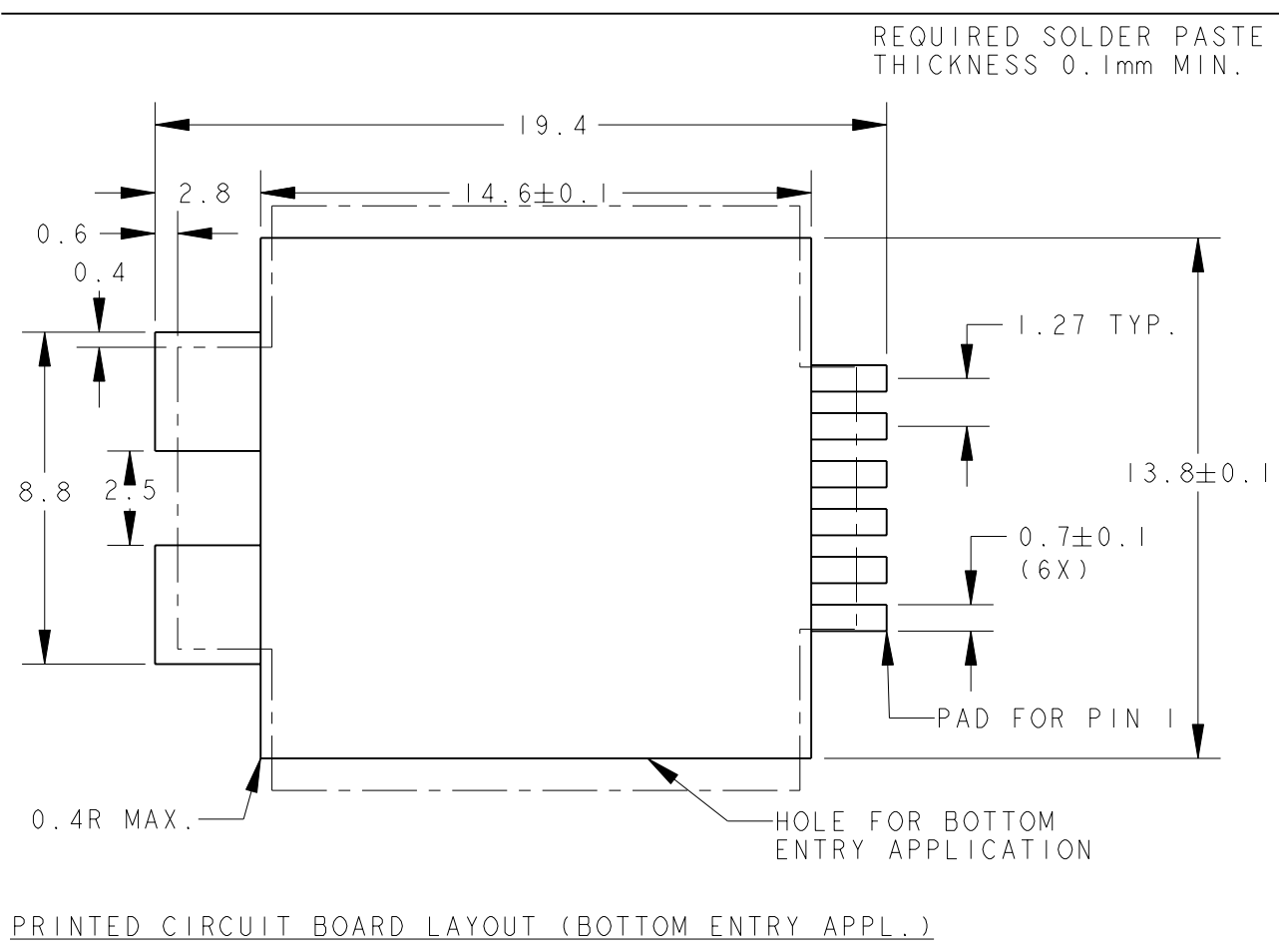
| LOC |     | DIST        |               | REVISIONS |      |     |  |
|-----|-----|-------------|---------------|-----------|------|-----|--|
| P   | LTR | DESCRIPTION | DATE          | DWN       | APVD |     |  |
| IR  | -   | W           | ECR-10-020218 | 28DEC2010 | PS   | PKS |  |

**NOTES:**

- 1 TOLERANCES UNLESS OTHERWISE SPECIFIED: ±0.15.
- 2 CONTACT PLATING:  
 OVERALL: Ni 1.27µm MIN. ALL OVER THE CONTACTS  
 SOLDER ZONE: Sn 3.5-5.0µm ON THE SOLDER ZONE OF THE CONTACT  
 MATING ZONE: PLATING CONFIRMS TO PRODUCT REQUIREMENTS  
 AS PER SPECIFICATION 108-19117
- 3 MATERIALS:  
 HOUSING: 30% G.F. PA 9T, COLOR BLACK, UL 94V-0.  
 CONTACTS: PHOSPHOR BRONZE  
 SOLDER BRACKET: TINPLATED BRASS WITH NICKEL UNDERPLATE.
- 4 THIS JACK CAN ALSO BE APPLIED HANGING THROUGH A HOLE,  
 IN A PRINTED CIRCUIT BOARD. SEE LEFT PCB LAYOUT.
- 5 SURFACE CAN BE USED FOR PICKING THE MODULAR JACK WITH,  
 TYPE 11 SMD MACHINE.
- 6 ON 1-338086-4 AND 2-338086-4 ONLY CONTACTS B,C,D & E  
 ARE INSTALLED.
- 7 COPLANARITY MEASURED AT HEEL OF CONTACTS  
 COPLANARITY AT TIPS OF CONTACTS MAX. 0.18 mm
- 8 TAPE AND REEL PACKAGING ACCORDING TO EIA 481-3 SPECIFICATIONS.
- 9 INCLUDES KAPTON TAPE (10x11,5mm)  
 ON TOP SURFACE AS PICK AND PLACE FEATURE.
- 10 OBSOLETE PARTS: OBSOLETE CIS STREAMLINIG PER D. RENAUD/D.SINSI



SECTION A - A



| POS.             | CONT.  | PACKAGING | PART NUMBER |
|------------------|--|-----------|-------------|
| 6 POS. / 6 CONT. | 750 PCS ON Ø560mm OD REEL.<br>BOTTOM ENTRY ORIENTATION PER DETAIL B2 |           | 2-338086-5  |
| 6 POS. / 4 CONT. | 750 PCS ON Ø560mm OD REEL.<br>TOP ENTRY ORIENTATION PER DETAIL B1    |           | 2-338086-4  |
| 6 POS. / 6 CONT. | 300 PCS ON Ø360mm OD REEL.<br>BOTTOM ENTRY ORIENTATION PER DETAIL B1 |           | 2-338086-3  |
| 6 POS. / 4 CONT. | 300 PCS ON Ø360mm OD REEL.<br>BOTTOM ENTRY ORIENTATION PER DETAIL B2 |           | 1-338086-7  |
| 6 POS. / 6 CONT. | 300 PCS ON Ø360mm OD REEL.<br>TOP ENTRY ORIENTATION PER DETAIL B1    |           | 1-338086-6  |
| 6 POS. / 6 CONT. | 300 PCS ON Ø360mm OD REEL.<br>BOTTOM ENTRY ORIENTATION PER DETAIL B2 |           | 1-338086-5  |
| 6 POS. / 4 CONT. | 300 PCS ON Ø360mm OD REEL.<br>TOP ENTRY ORIENTATION PER DETAIL B1    |           | 1-338086-4  |
| 6 POS. / 6 CONT. | 300 PCS ON Ø360mm OD REEL.<br>TOP ENTRY ORIENTATION PER DETAIL B1    |           | 1-338086-3  |
| REMARKS          |  | PACKAGING | PART NUMBER |

|  |          |                  |           |  |           |
|--|----------|------------------|-----------|--|-----------|
| THIS DRAWING IS A CONTROLLED DOCUMENT. |          | DWN              | 22-Nov-96 | TE Connectivity  |           |
|  |          | CHK              | dEC-96    |  |           |
| DIMENSIONS: mm                         |          | APVD             | R.SMEETS  | NAME   |           |
| TOLERANCES UNLESS OTHERWISE SPECIFIED: |          | PRODUCT SPEC     | 108-19117 | INVERTIBLE MODULAR JACK ASSEMBLY FOR SURFACE MOUNT APPLICATION 6/6 AND 6/4 POSITION LINE |           |
| 0 PLC ±                                | 1 PLC ±  | APPLICATION SPEC | 114-19041 | SIZE   | CAGE CODE |
| 2 PLC ±                                | 3 PLC ±  | WEIGHT           | -         | A2   | 0779      |
| 4 PLC ±                                | ANGLES ± | CUSTOMER DRAWING | SCALE     | 5:1  | SHEET     |
| MATERIAL FINISH                        |          |                  |           | 1  | OF        |
| SEE NOTE 3                             |          |                  |           | 2  | REV       |
| SEE NOTE 2                             |          |                  |           | W  |           |

4

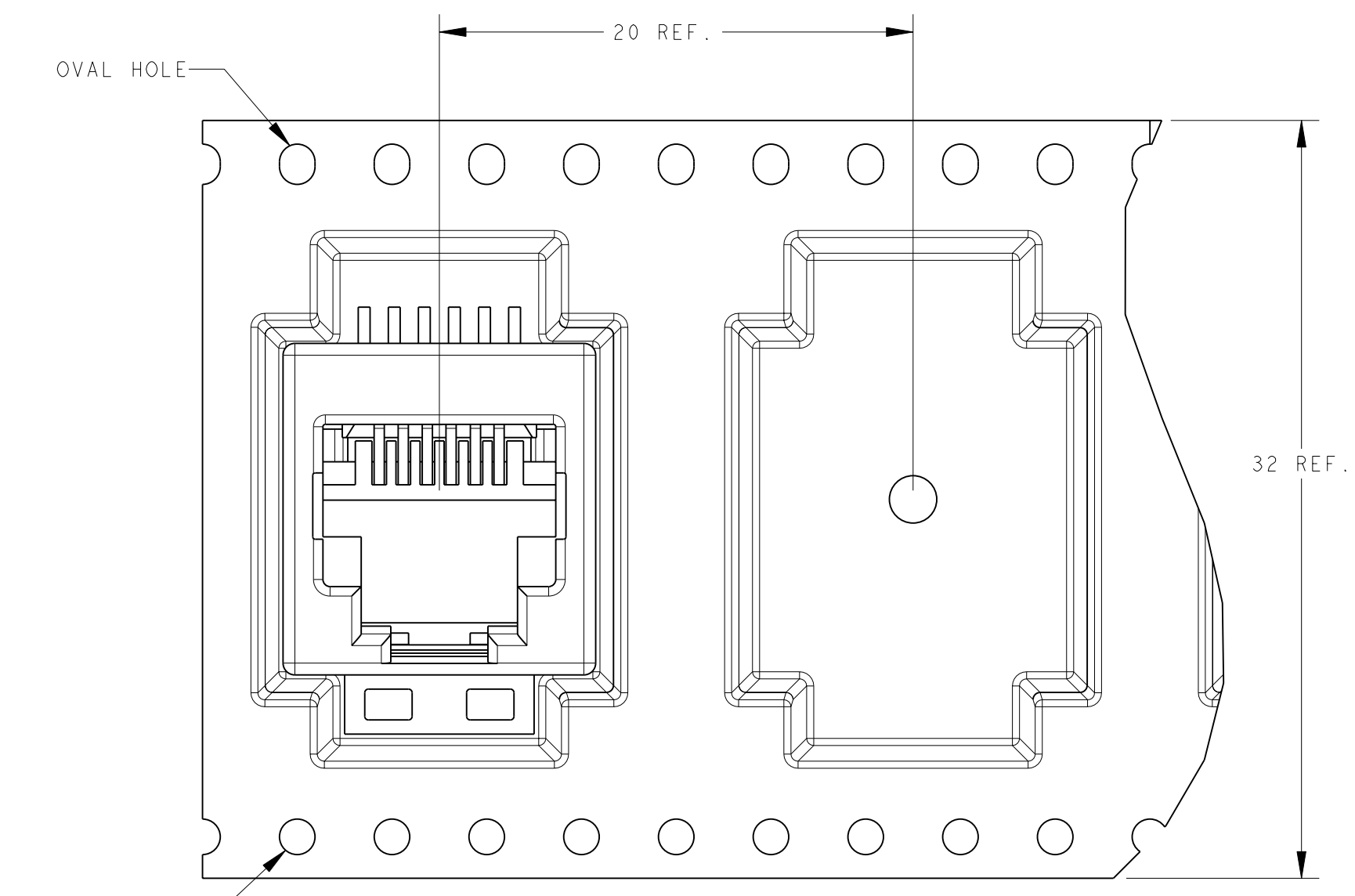
3

2

1

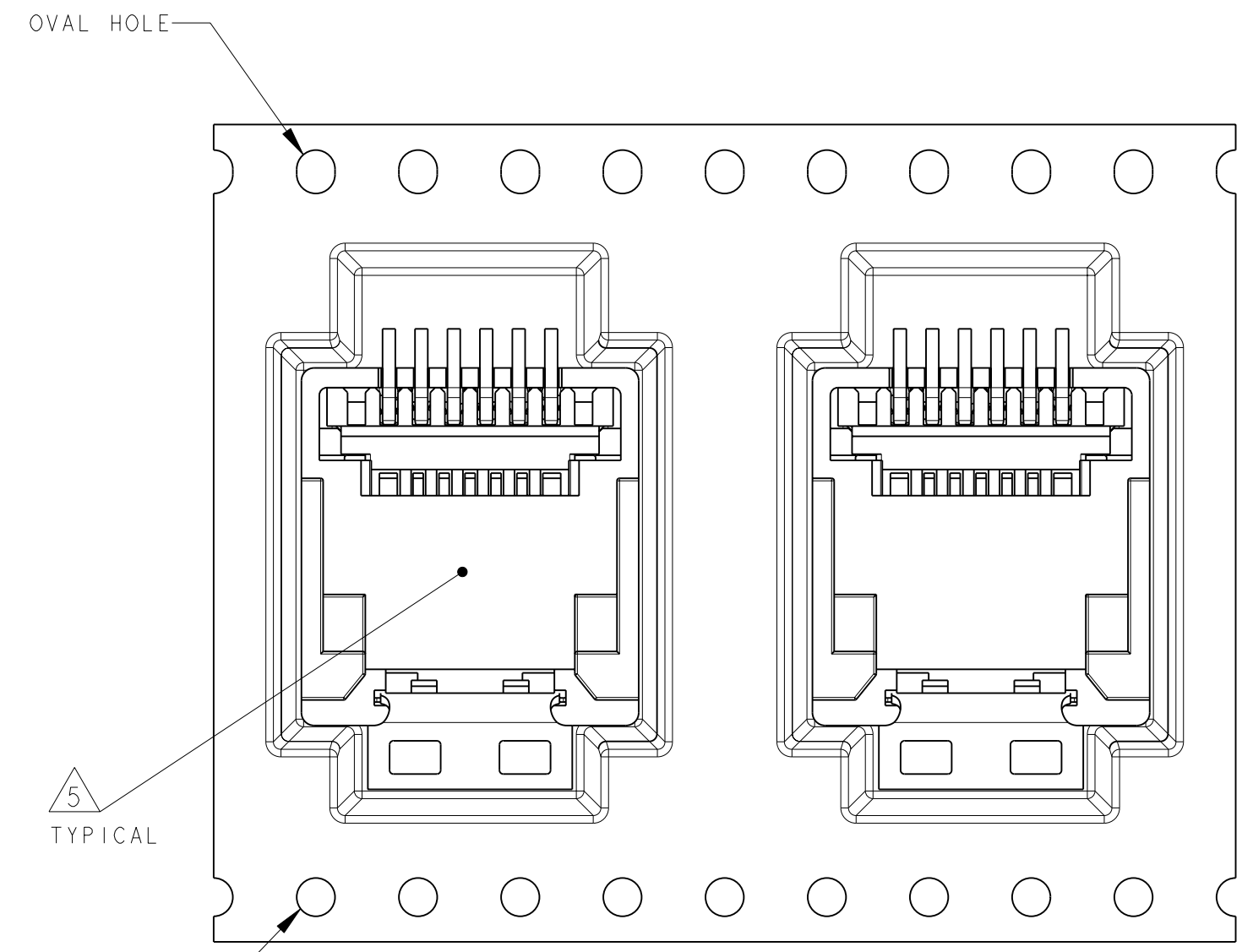
THIS DRAWING IS UNPUBLISHED. RELEASED FOR PUBLICATION  
 © COPYRIGHT - TE CONNECTIVITY ALL RIGHTS RESERVED.

| LOC | DIST | REVISIONS   |      |     |      |
|-----|------|-------------|------|-----|------|
| P   | LTR  | DESCRIPTION | DATE | DWN | APVD |
| IR  | -    | SEE SHEET 1 | -    | -   | -    |
|     |      |             |      |     |      |
|     |      |             |      |     |      |



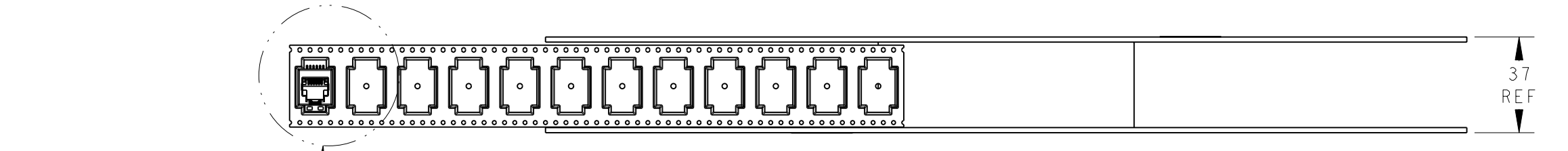
TOP ENTRY ORIENTATION.

DETAIL B1  
SCALE 4:1

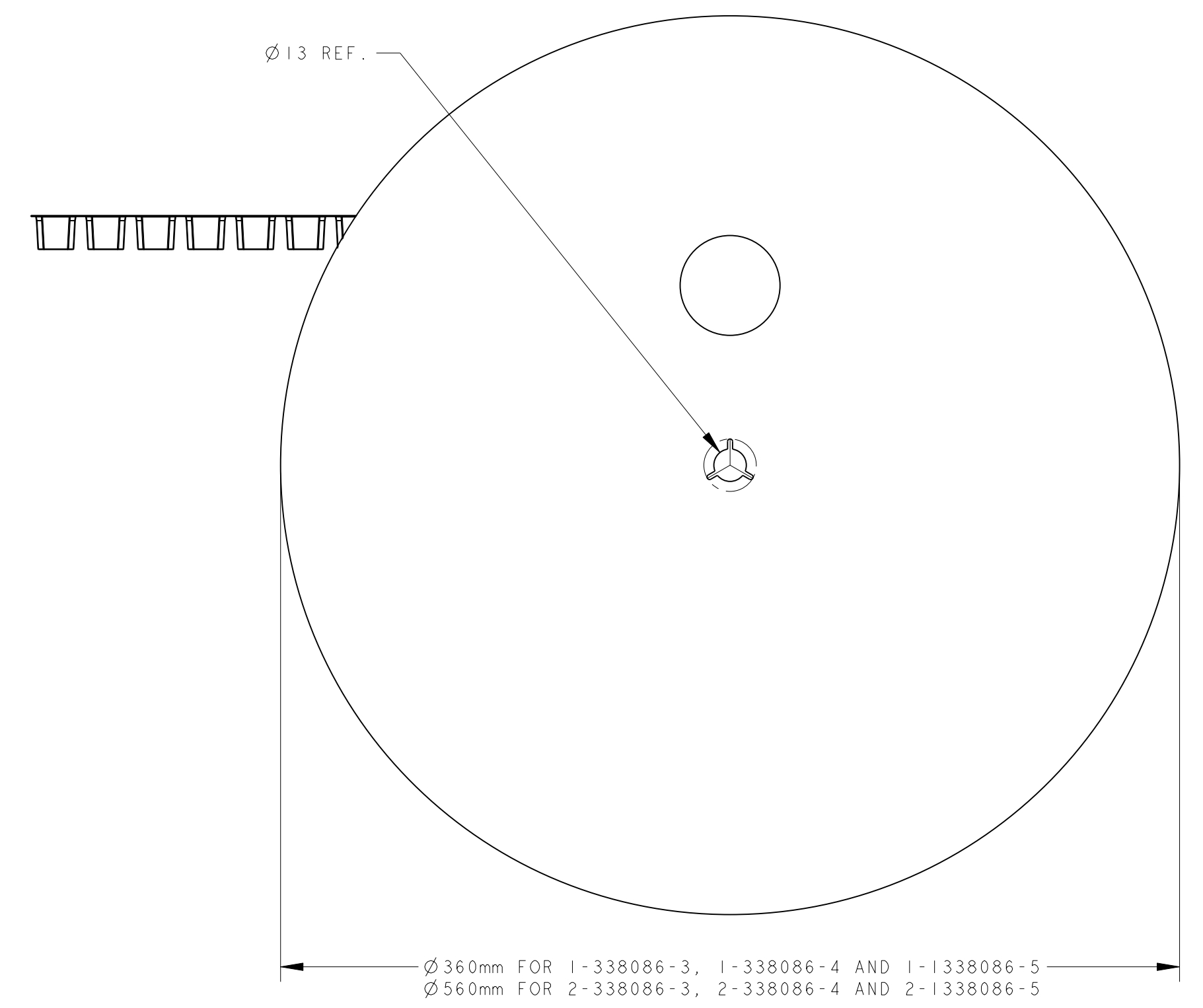


BOTTOM ENTRY ORIENTATION.

DETAIL B2  
SCALE 4:1



SEE DETAIL B1 & B2



|  |  |                            |   |              |
|--|--|----------------------------|---|--------------|
| THIS DRAWING IS A CONTROLLED DOCUMENT. |  | DWN 22-Nov-96<br>E.v.EIJK  | <b>STE</b> TE Connectivity  |              |
| DIMENSIONS: mm                         |  | CHK E.STELLINGA dEC-96     |   |              |
| TOLERANCES UNLESS OTHERWISE SPECIFIED: |  | APVD R.SMEETS              | NAME INVERTIBLE MODULAR JACK ASSEMBLY FOR SURFACE MOUNT APPLICATION 6/6 AND 6/4 POSITION LINE |              |
| 0 PLC ±                                |  | PRODUCT SPEC 108-19117     | SIZE  | CAGE CODE    |
| 1 PLC ±                                |  | APPLICATION SPEC 114-19041 | A20779  | C-338086     |
| 2 PLC ±                                |  | WEIGHT -                   | RESTRICTED TO -   |              |
| 3 PLC ±                                |  | CUSTOMER DRAWING           | SCALE 5:1   | SHEET 2 OF 2 |
| 4 PLC ±                                |  |                            |   | REV W        |
| ANGLES ±                               |  |                            |   |              |
| FINISH                                 |  |                            |   |              |