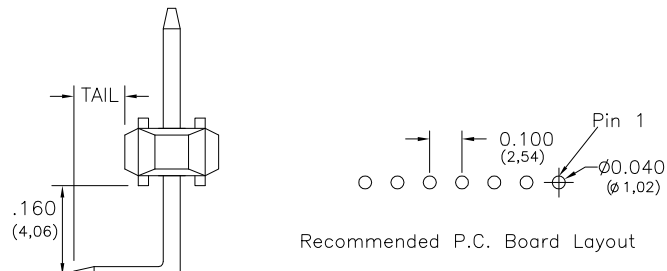
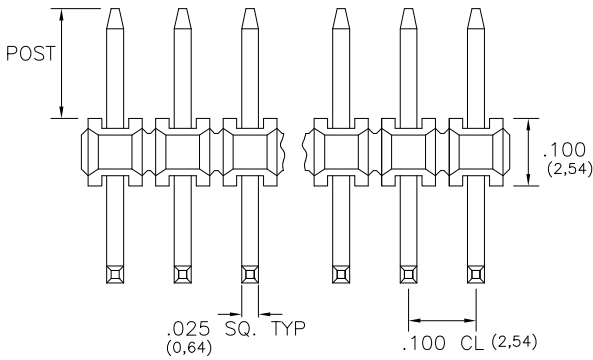
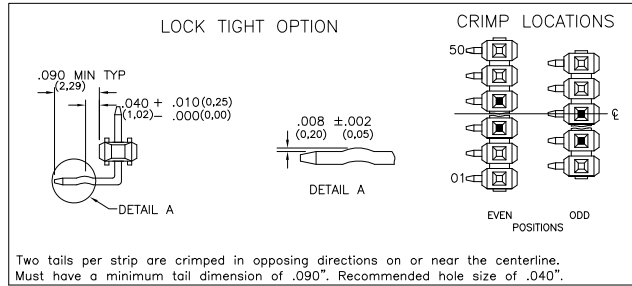
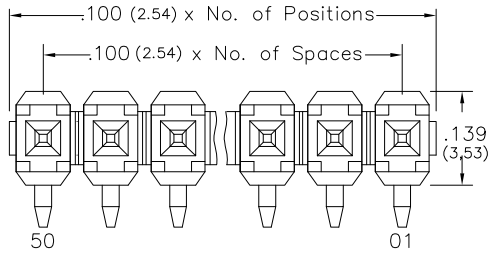


Major League Electronics .100 cl Terminal Strip Headers - Custom Right Angle - Elevated



Tails may be clipped to achieve desired pin length

$$\text{Length (L)} - \text{Post Height (P)} - .310 (7.87) = \text{Tail Length (T)}$$

Ordering Information

TSHCRE-1 [XX] - S - [XX] - [XXX] - [XX] - [XX] - [XXX] - LF

Pins Per Row: 01 - 50
 Row Specification: S = Single Row
 Lead Free

Pin Options				
Length	Max Post Height			
.530	13.46mm	.230	5.84mm	14
.630	16.00mm	.330	8.38mm	16
.730	18.54mm	.430	10.92mm	20
.830	21.08mm	.530	13.46mm	22
.930	23.62mm	.630	16.00mm	24
1.030	26.16mm	.730	18.54mm	26
1.130	28.70mm	.830	21.08mm	28
1.230	31.24mm	.930	23.62mm	30
1.330	33.78mm	1.030	26.16mm	32
1.430	36.32mm	1.130	28.70mm	34
1.530	38.86mm	1.230	31.24mm	36

Post Height
 Please specify
 E.g. .230 (5.84) = 230

Polarized Position
 Leave blank if not needed
 If required, specify empty pin position, e.g. 012 for Pin 12

Lock Tight "LT" (Optional)
 Leave blank if not needed
 LT = With

Plating Options	
G	- 10µ Gold on Contact area/Flash on Tail
T	- Matte Tin all Over
GT	- 10µ Gold on Contact Area / Matte Tin on Tail
H	- 30µ Gold on Contact Area / Matte Tin on Tail
F	- Gold Flash Over Entire Pin

Specifications

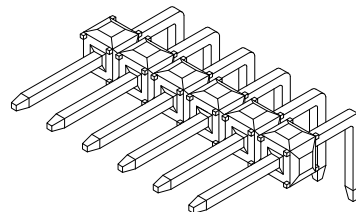
Current Rating: 3.0 Ampere
 Insulation Resistance: 1000MΩ Min.
 Dielectric Withstanding: 600V AC
 Contact Resistance: 20 mΩ Max.
 Operating Temperature: -40°C to + 105°C
 Max. Process Temperature:
 Peak: 260°C up to 20 secs.
 Process: 230°C up to 60 secs.
 Wave: 260°C up to 6 secs.
 Manual Solder: 350°C up to 5 secs.

Materials

Contact Material: Phosphor Bronze
 Insulator Material: Nylon 6T
 Plating: Au or Sn over 50µ" (1.27) Ni

Mates with:

BCSS,
 BSSH,
 BSSHC,
 BSSQ,
 BSSQC,
 BSSQM,
 LBCSS,
 LSMBC,
 LSWSS,
 SMBC,
 SSHQ,
 SSHQR,
 SSHR,
 SSHS,
 SSHSM



Products cut to specific sizes are uncancellable/nonreturnable

Parts are subject to change without notice

TSHCRE-1-S SERIES

.100 cl Single Row - Right Angle
 Terminal Strip Headers - Custom Elevated

22 JAN 07

Scale
 NTS

UNLESS OTHERWISE SPECIFIED
 DIMENSIONS IN INCHES (MM)
 TOLERANCES ARE:

ONE PLACE DECIMALS ±.100
 TWO PLACE DECIMALS ±.010
 THREE PLACE DECIMALS ±.005
 FOUR PLACE DECIMALS ±.0020
 ANGLES
 ±5°



4235 Earnings Way, New Albany, Indiana, 47150, USA
 1-800-782-3486 (USA/Canada/Mexico)
 Tel: 812-944-7244
 Fax: 812-944-7268
 E-mail: mle@mlelectronics.com
 Web: www.mlelectronics.com

Edition
 1

Sheet
 1/1