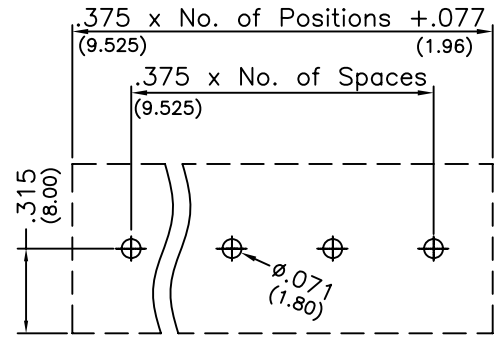
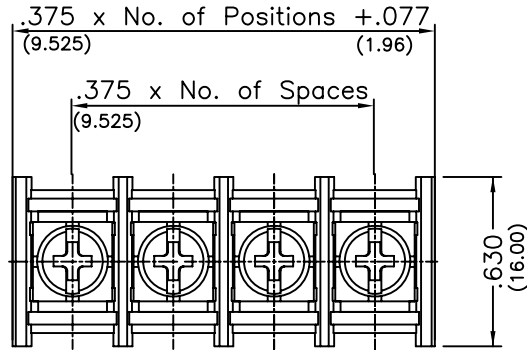
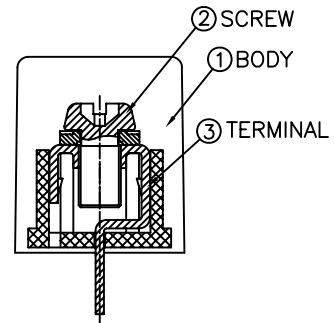
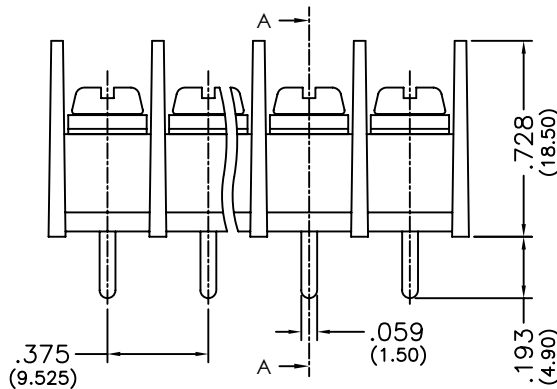
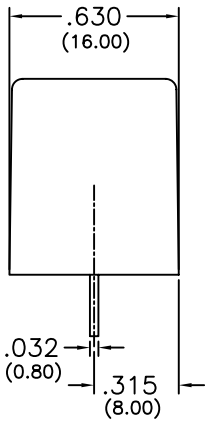


Major League Electronics .375 cl Barrier Terminal Blocks



PCB Layout



Section A-A

Ordering Information

TBB-06-**375** - **XX** - **XX** - **LF**

Pitch
375 = .375 (9.525) cl

No. of Positions
02 - 24

Lead Free

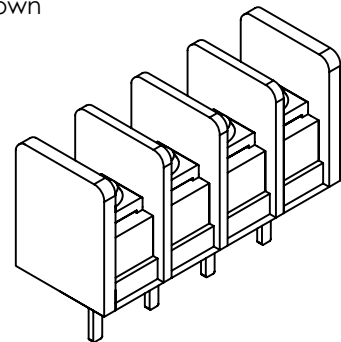
Color
BK = Black (Standard)
GR = Green
BL = Blue
WH = White
GY = Grey
OR = Orange
YW = Yellow
RD = Red
BR = Brown

Specifications

Current Rating: 25 Ampere
Voltage Rating: AC 300V
Wire Range: 12-22 AWG
Dielectric Withstanding Voltage: AC 2500V/1 minute
Insulation Resistance: DC 500V 1000M Ω
Operating Temperature: -30°C to + 105°C
Max Torque: 6.94 lb-in (8.0kgf. cm)
Strip Length: .394-.472 (10-12mm)

Materials

1. Body: PA66 (Nylon), UL94V-0
2. Screw: M3.5, C1018 Steel, Nickel Plated
3. Terminal: H62 Brass, Tin Plated



Parts are subject to change without notice

TBB-06-375-XX-XX-LF

.375cl Barrier Terminal Block
Non-Interlock

05 DEC 08

Scale
NTS

UNLESS OTHERWISE SPECIFIED
DIMENSIONS IN INCHES (MM)
TOLERANCES IN INCHES:

ONE DECIMAL PLACE ± 0.30
TWO DECIMAL PLACE ± 0.20
THREE DECIMAL PLACE ± 0.15
FOUR DECIMAL PLACE ± 0.10



4235 Earnings Way, New Albany, Indiana, 47150, USA
1-800-782-3486 (USA/Canada/Mexico)
Tel: 812-944-7244
Fax: 812-944-7268
E-mail: mle@mlelectronics.com
Web: www.mlelectronics.com

Revision
C

Sheet
1/2


Revisions

Revision C - (10th Jun 2010)

Color options amended to black as standard

Revision B - (23rd Mar 2010)

Side view added,
PCB layout amended to feature round holes $\text{Ø}.071$ ($\text{Ø}1.80$)
Voltage rating amended to AC 300V

| | | | | |
|---|---|---|---------------|--------------|
| | TBB-06-375-XX-XX-LF | .375cl Barrier Terminal Block Non-Interlock | 05 DEC 08 | Scale NTS |
| UNLESS OTHERWISE SPECIFIED DIMENSIONS IN INCHES (MM) TOLERANCES IN INCHES: ONE DECIMAL PLACE ± 0.30 TWO DECIMAL PLACE ± 0.20 THREE DECIMAL PLACE ± 0.15 FOUR DECIMAL PLACE ± 0.10 |  | 4235 Earnings Way, New Albany, Indiana, 47150, USA 1-800-782-3486 (USA/Canada/Mexico) Tel: 812-944-7244 Fax: 812-944-7268 E-mail: mle@mlelectronics.com Web: www.mlelectronics.com | Revision C | |
| | | | Sheet 2/2 | |