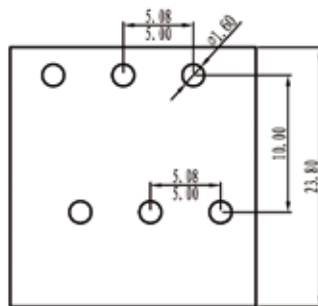
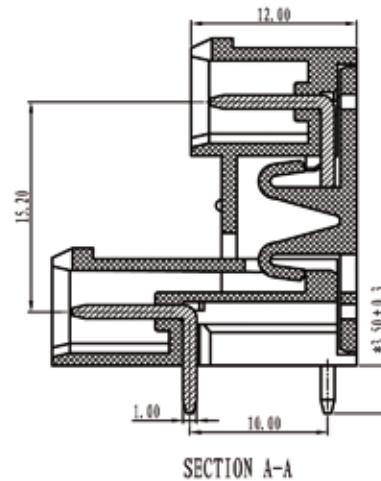
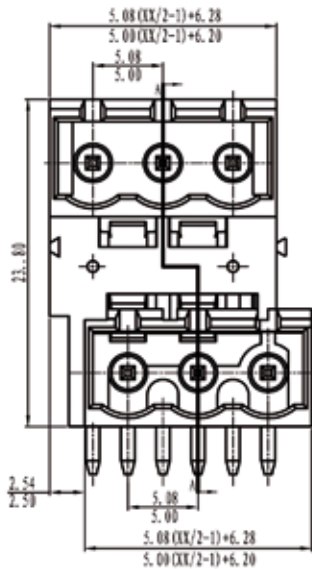


euro-block

product specification



Electrical

Standard: UL-IEC
 Rated voltage: 300V-320V
 Rated current: 15A-10A
 Contact resistance: 20m Ω
 Withstanding voltage: AC2000V/1Min
 Insulation resistance: 5000M Ω /DC1000V

Mechanical

Temp.Range: -40°C~+105°C
 MAX soldering: +250°C, for 5 sec

Dimensions

Pitch: 5.08mm/5.00mm
 Poles: 2p-xxp

Material

Housing: PA66, UL94V-0
 Pin header: Brass, Tin plated

TOLERANCES EXCEPT AS NOTED

	linear dimension					fillet	chamfer	short angle sid	≡	-	□	//	⊥				
	variable range	to 6	over 6 to 30	over 30 to 120	over 120 to 480	all	to 6							to 10	to 10	to 50	to 120
tolerance	±0.1	±0.2	±0.3	±0.5	±0.9	±0.2	±0.5	±1	1'	30'	20'	10'	0.5	0.025	0.06	0.12	0.4

UNITS	mm	SIZE	A4	SCALE	FIRST ANGLE PROJECTION	
euro-block						
					NAME	CMD-5/5.08-CH