

Features

- Monolithic Field Programmable System Level Integrated Circuit (FPSLIC®)
 - AT40K SRAM-based FPGA with Embedded High-performance RISC AVR® Core, Extensive Data and Instruction SRAM and JTAG ICE
- 5,000 to 40,000 Gates of Patented SRAM-based AT40K FPGA with FreeRAM™
 - 2 - 18.4 Kbits of Distributed Single/Dual Port FPGA User SRAM
 - High-performance DSP Optimized FPGA Core Cell
 - Dynamically Reconfigurable In-System – FPGA Configuration Access Available On-chip from AVR Microcontroller Core to Support Cache Logic® Designs
 - Very Low Static and Dynamic Power Consumption – Ideal for Portable and Handheld Applications
- Patented AVR Enhanced RISC Architecture
 - 120+ Powerful Instructions – Most Single Clock Cycle Execution
 - High-performance Hardware Multiplier for DSP-based Systems
 - Approaching 1 MIPS per MHz Performance
 - C Code Optimized Architecture with 32 x 8 General-purpose Internal Registers
 - Low-power Idle, Power-save and Power-down Modes
 - 100 µA Standby and Typical 2-3 mA per MHz Active
- Up to 36 Kbytes of Dynamically Allocated Instruction and Data SRAM
 - Up to 16 Kbytes x 16 Internal 15 ns Instructions SRAM
 - Up to 16 Kbytes x 8 Internal 15 ns Data SRAM
- JTAG (IEEE std. 1149.1 Compliant) Interface
 - Extensive On-chip Debug Support
 - Limited Boundary-scan Capabilities According to the JTAG Standard (AVR Ports)
- AVR Fixed Peripherals
 - Industry-standard 2-wire Serial Interface
 - Two Programmable Serial UARTs
 - Two 8-bit Timer/Counters with Separate Prescaler and PWM
 - One 16-bit Timer/Counter with Separate Prescaler, Compare, Capture Modes and Dual 8-, 9- or 10-bit PWM
- Support for FPGA Custom Peripherals
 - AVR Peripheral Control – 16 Decoded AVR Address Lines Directly Accessible to FPGA
 - FPGA Macro Library of Custom Peripherals
- 16 FPGA Supplied Internal Interrupts to AVR
- Up to Four External Interrupts to AVR
- 8 Global FPGA Clocks
 - Two FPGA Clocks Driven from AVR Logic
 - FPGA Global Clock Access Available from FPGA Core
- Multiple Oscillator Circuits
 - Programmable Watchdog Timer with On-chip Oscillator
 - Oscillator to AVR Internal Clock Circuit
 - Software-selectable Clock Frequency
 - Oscillator to Timer/Counter for Real-time Clock
- V_{CC}: 3.0V - 3.6V
- 3.3V 33 MHz PCI-compliant FPGA I/O
 - 20 mA Sink/Source High-performance I/O Structures
 - All FPGA I/O Individually Programmable
- High-performance, Low-power 0.35µ CMOS Five-layer Metal Process
- State-of-the-art Integrated PC-based Software Suite including Co-verification
- 5V I/O Tolerant
- Green (Pb/Halide-free/ROHS compliant) Package Options Available



FPSLIC®

**5K - 40K Gates
of AT40K FPGA
with 8-bit AVR®
Microcontroller,
up to 36K Bytes
of SRAM and
On-chip
JTAG ICE**

**AT94KAL Series
Field
Programmable
System Level
Integrated
Circuit**

Summary

1138IS-FPSLI-1/08



Note: This is a summary document. A complete document is available on our web site at www.atmel.com.



1. Description

The AT94KAL Series FPSLIC family shown in [Table 1-1](#) is a combination of the popular Atmel AT40K Series SRAM FPGAs and the high-performance Atmel AVR 8-bit RISC microcontroller with standard peripherals. Extensive data and instruction SRAM as well as device control and management logic are included on this monolithic device, fabricated on Atmel's 0.35µ five-layer metal CMOS process.

The AT40K FPGA core is a fully 3.3V PCI-compliant, SRAM-based FPGA with distributed 10 ns programmable synchronous/asynchronous, dual-port/single-port SRAM, 8 global clocks, Cache Logic ability (partially or fully reconfigurable without loss of data) and 5,000 to 40,000 usable gates.

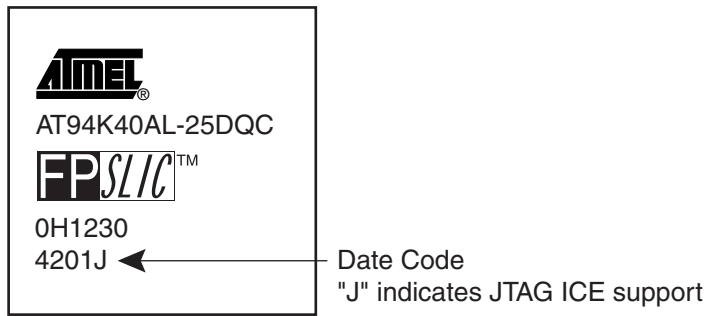
Table 1-1. The AT94K Series Characteristics

Device	AT94K05AL	AT94K10AL	AT94K40AL
FPGA Gates	5K	10K	40K
FPGA Core Cells	256	576	2304
FPGA SRAM Bits	2048	4096	18432
FPGA Registers (Total)	436	846	2862
Maximum FPGA User I/O	96	116	120
AVR Programmable I/O Lines	8	16	16
Program SRAM	4 Kbytes - 16 Kbytes	20 Kbytes - 32 Kbytes	20 Kbytes - 32 Kbytes
Data SRAM	4 Kbytes - 16 Kbytes	4 Kbytes- 16 Kbytes	4 Kbytes - 16 Kbytes
Hardware Multiplier (8-bit)	Yes	Yes	Yes
2-wire Serial Interface	Yes	Yes	Yes
UARTs	2	2	2
Watchdog Timer	Yes	Yes	Yes
Timer/Counters	3	3	3
Real-time Clock	Yes	Yes	Yes
JTAG ICE	Yes ⁽¹⁾	Yes ⁽¹⁾	Yes ⁽¹⁾
Typical AVR throughput	@ 25 MHz 19 MIPS	19 MIPS	19 MIPS
Operating Voltage	3.0 - 3.6V	3.0 - 3.6V	3.0 - 3.6V

Notes: 1. FPSLIC parts with JTAG ICE support can be identified by the letter "J" after the device date code, e.g., 4201 (no ICE support) and 4201J (with ICE support), see [Figure 1-1](#).

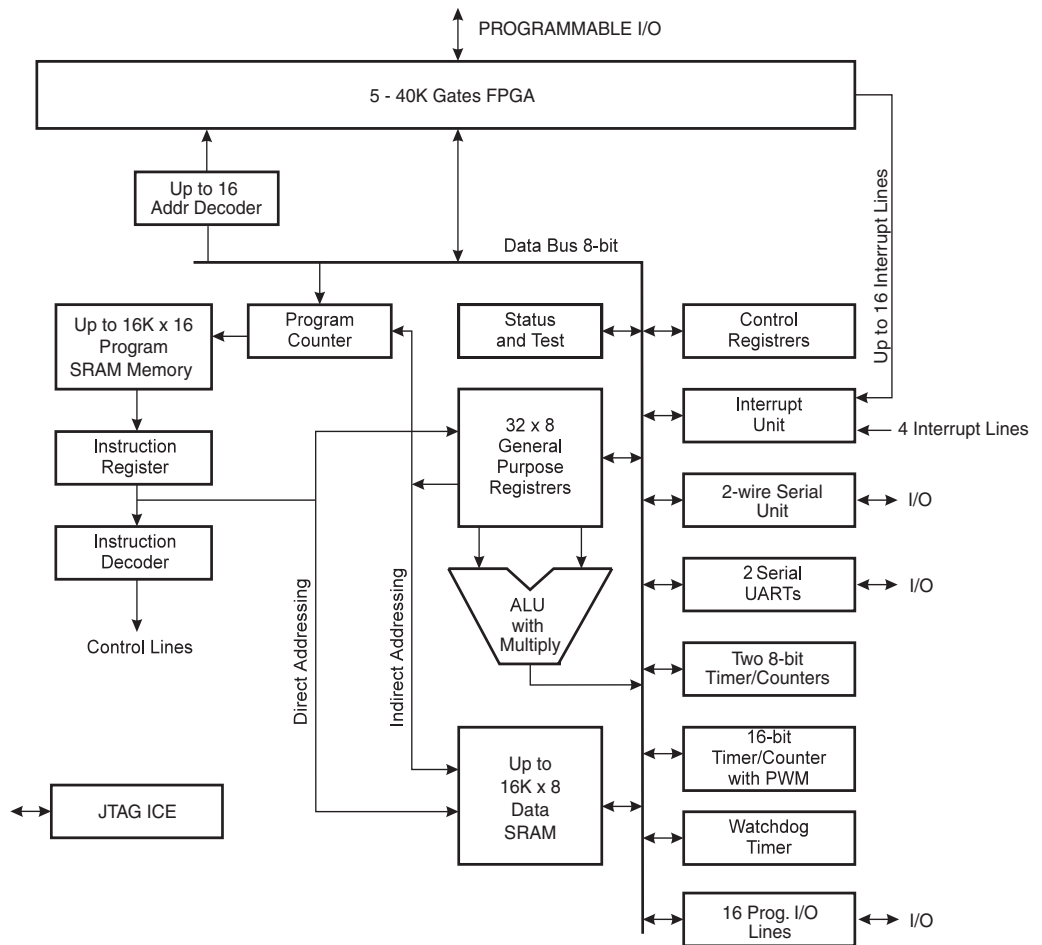
AT94KAL Series FPSLIC Summary

Figure 1-1. FPSLIC Device Date Code with JTAG ICE Support



The AT94K series architecture is shown in [Figure 1-2](#).

Figure 1-2. AT94K Series Architecture





The embedded AVR core achieves throughputs approaching 1 MIPS per MHz by executing powerful instructions in a single-clock cycle, and allows system designers to optimize power consumption versus processing speed. The AVR core is based on an enhanced RISC architecture that combines a rich instruction set with 32 general-purpose working registers. All 32 registers are directly connected to the Arithmetic Logic Unit (ALU), allowing two independent registers to be accessed in one single instruction executed in one clock cycle. The resulting architecture is more code-efficient while achieving throughputs up to ten times faster than conventional CISC microcontrollers at the same clock frequency. The AVR executes out of on-chip SRAM. Both the FPGA configuration SRAM and the AVR instruction code SRAM can be automatically loaded at system power-up using Atmel's In-System Programmable (ISP) AT17 Series EEPROM Configuration Memories.

State-of-the-art FPSLIC design tools, System Designer, were developed in conjunction with the FPSLIC architecture to help reduce overall time-to-market by integrating microcontroller development and debug, FPGA development and Place and Route, and complete system co-verification in one easy-to-use software tool.

Table 1-2. FPSLIC Configuration Devices

FPSLIC Device	FPSLIC Configuration Device	Configuration Data	Spare Memory
AT94K05	AT17LV256	226520 Bits	35624 Bits
AT94K10	AT17LV512	430488 Bits	93800 Bits
AT94K40	AT17LV010	815382 Bits	233194 Bits



Headquarters

Atmel Corporation
2325 Orchard Parkway
San Jose, CA 95131
USA
Tel: 1(408) 441-0311
Fax: 1(408) 487-2600

International

Atmel Asia
Room 1219
Chinachem Golden Plaza
77 Mody Road Tsimshatsui
East Kowloon
Hong Kong
Tel: (852) 2721-9778
Fax: (852) 2722-1369

Atmel Europe
Le Krebs
8, Rue Jean-Pierre Timbaud
BP 309
78054 Saint-Quentin-en-
Yvelines Cedex
France
Tel: (33) 1-30-60-70-00
Fax: (33) 1-30-60-71-11

Atmel Japan
9F, Tonetsu Shinkawa Bldg.
1-24-8 Shinkawa
Chuo-ku, Tokyo 104-0033
Japan
Tel: (81) 3-3523-3551
Fax: (81) 3-3523-7581

Product Contact

Web Site
www.atmel.com

Technical Support
fpslic@atmel.com

Sales Contact
www.atmel.com/contacts

Literature Requests
www.atmel.com/literature

Disclaimer: The information in this document is provided in connection with Atmel products. No license, express or implied, by estoppel or otherwise, to any intellectual property right is granted by this document or in connection with the sale of Atmel products. **EXCEPT AS SET FORTH IN ATMEL'S TERMS AND CONDITIONS OF SALE LOCATED ON ATMEL'S WEB SITE, ATMEL ASSUMES NO LIABILITY WHATSOEVER AND DISCLAIMS ANY EXPRESS, IMPLIED OR STATUTORY WARRANTY RELATING TO ITS PRODUCTS INCLUDING, BUT NOT LIMITED TO, THE IMPLIED WARRANTY OF MERCHANTABILITY, FITNESS FOR A PARTICULAR PURPOSE, OR NON-INFRINGEMENT. IN NO EVENT SHALL ATMEL BE LIABLE FOR ANY DIRECT, INDIRECT, CONSEQUENTIAL, PUNITIVE, SPECIAL OR INCIDENTAL DAMAGES (INCLUDING, WITHOUT LIMITATION, DAMAGES FOR LOSS OF PROFITS, BUSINESS INTERRUPTION, OR LOSS OF INFORMATION) ARISING OUT OF THE USE OR INABILITY TO USE THIS DOCUMENT, EVEN IF ATMEL HAS BEEN ADVISED OF THE POSSIBILITY OF SUCH DAMAGES.** Atmel makes no representations or warranties with respect to the accuracy or completeness of the contents of this document and reserves the right to make changes to specifications and product descriptions at any time without notice. Atmel does not make any commitment to update the information contained herein. Unless specifically provided otherwise, Atmel products are not suitable for, and shall not be used in, automotive applications. Atmel's products are not intended, authorized, or warranted for use as components in applications intended to support or sustain life.

© Atmel Corporation 2008. All rights reserved. Atmel[®], logo and combinations thereof, Everywhere You Are[®] and others, are registered trademarks or trademarks of Atmel Corporation or its subsidiaries. Microsoft[®], Windows[®] and Windows NT[®] are the registered trademarks of Microsoft Corporation. Other terms and product names may be trademarks of others.