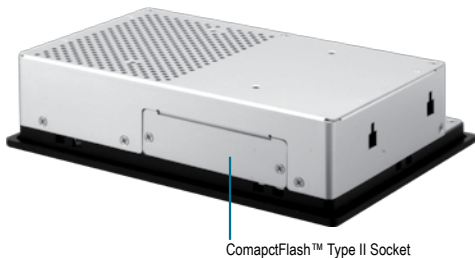
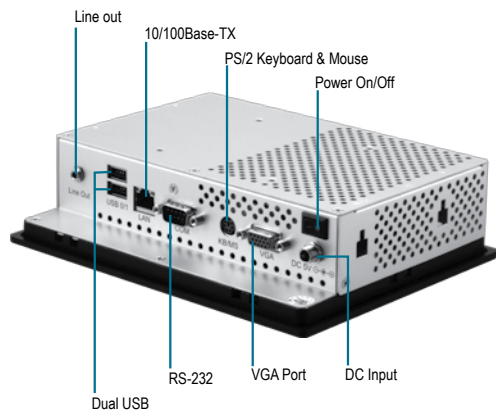


■ 6.4" TFT-LCD Windows® XP Embedded, Windows® 7 Operator Panel PC



## Features

- Fanless Design (Celeron® M 600 MHz)
- Onboard Intel® Celeron® M 1.3 GHz/ 600 MHz Processor
- 6.4" VGA Color TFT LCD Display
- Slim, Fanless, Rugged Design
- Touch Screen and CompactFlash™ Card Support
- Windows® XP Embedded Support
- 10/100Base-TX Ethernet
- Dual Independent Displays



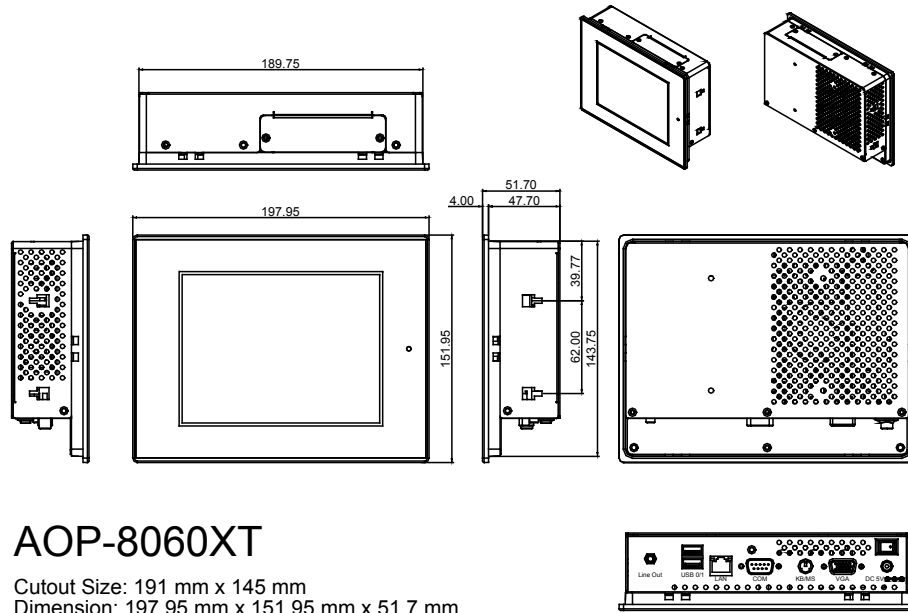
## Specifications

| System                  |   |
|-------------------------|---|
| Processor               | Intel® Celeron® M 1.3 GHz/ 600 MHz  |
| System Memory           | Onboard 256 MB  |
| Storage Memory          | 512 MB CompactFlash™  |
| LCD/CRT Controller      | Intel® 852GM + Chronitel7009  |
| Ethernet                | Intel® 82562, 10/100Base-TX, RJ-45 x 1  |
| I/O Port                | RS-232 (DB-9) x 1<br>USB2.0 x 2<br>VGA x 1<br>Audio Line out x 1<br>PS/2 (keyboard + mouse Mini-Din port) x 1 |
| Solid Storage Disk      | Type II CompactFlash™ Open slot   |
| Expansion Slot          | Mini-PCI slot, CompactFlash™ slot   |
| OS Support              | Windows® XP Embedded, Windows® XP Pro for Embedded  |
| Mechanical              |   |
| Construction            | Aluminum back cover<br>IP-65 certified Plastic front panel  |
| Color                   | Front Bezel: Black<br>Back Cover: Silver  |
| Mounting                | VESA 75   |
| Dimension               | 7.8" x 6" x 2.05" (198mm x 152mm x 52mm)  |
| Carton Dimension        | 11.2" x 7.36" x 9" (284mm x 187mm x 228mm)  |
| Gross Weight            | 3.3 lb (1.5 kg)   |
| Net Weight              | 2.2 lb (1 kg)   |
| Environmental           |   |
| Operating Temperature   | 32°F ~ 104°F (0°C ~ 40°C)   |
| Storage Temperature     | -4°F ~ 140°F (-20°C ~ 60°C)   |
| Storage Humidity        | 10 ~ 90% @ 40°C, non-condensing   |
| Vibration               | Random Operation 1 G, 5~500Hz   |
| Shock                   | 15G peak acceleration (11m sec. duration) / operation   |
| EMC                     | CE/FCC Class A  |
| Power Supply            |   |
| DC-DC Input, 25W        | Input: 5V DC  |
| LCD                     |   |
| Display Type            | 6.4" color TFT LCD  |
| Max. Resolution         | 640 x 480   |
| Max. Color              | 262K  |
| Dot Size                | 0.204 x 0.204   |
| Luminance               | 250 cd/m <sup>2</sup> (Typical)   |
| View Angle              | 130°(H)/ 110°(V)  |
| Back Light MTBF (Hours) | 20,000  |

# AOP-8060XT

## Dimension

Unit: mm



| Touchscreen        |                          |
|--------------------|--------------------------|
| Type               | 4-wire, Analog Resistive |
| Resolution         | 2048 x 2048              |
| Light Transmission | > 79%                    |
| Lifetime           | 1 million activations    |

## Ordering Information

- **TF-AOP-8060XT-P1-1110**  
Intel® Celeron® M 1.3 GHz Operator Panel with 6.4" LCD, 256 RAM, Touch Screen and Windows® XP Embedded (Eng) on 512 MB CompactFlash™
- **TF-AOP-8060XT-P2-1110**  
Intel® Celeron® M 600 MHz Fanless Operator Panel with 6.4" LCD, 256 RAM, Touch Screen and Windows® XP Embedded(Eng) on 512 MB CompactFlash™

## Optional Accessories

- **ARM-WK075-0**  
Wallmount Kit with VESA75/100mm Standards
- **ARM-DR075-0**  
DIN Rail Kit with VESA 75/100mm Standards
- **1702031802**  
Power Cord (Us Type)
- **1702031803**  
Power Cord (European Type)
- **170203180E**  
Power Cord (Japanese Type)
- **1757902500**  
25W AC Input Adapter (DC 5V output)
- **1702021201**  
DC Power Cable w/ lockable Connector