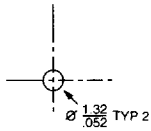
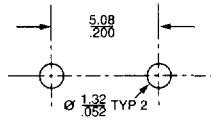


## FEATURES AND SPECIFICATIONS

# molex® Quick Disconnect Terminals For PC Board



Recommended PCB Hole Layout — .110 Series



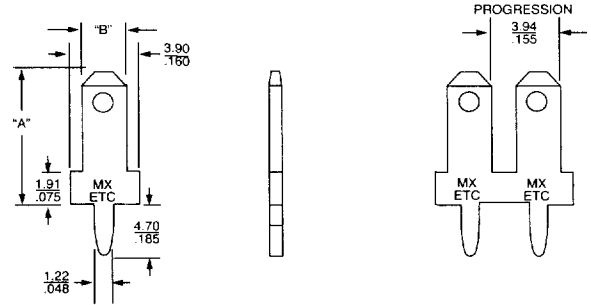
Recommended PCB Hole Layout — .250 Series

### .110 SERIES

#### Features

- Material — Brass
- Thickness — 0.51 mm (.020")
- Tab conforms to NEMA specifications
- Plating — Tin 150 $\mu$ " (3.81 $\mu$ m) min. thickness

Order No.	Carrier	Finish	Dimension	
			A	B
19712-4001	Loose	Tin	9.19 (.362)	2.79 (.110)
19712-4003	Strip	Tin	9.19 (.362)	2.79 (.110)

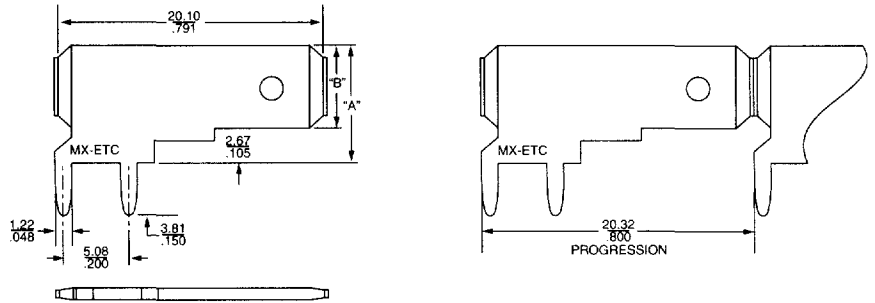


### .250 RIGHT ANGLE SERIES

#### Features

- Material — Brass
- Thickness — 0.813mm (.032")
- Tab conforms to NEMA specifications
- Plating — Tin 150 $\mu$ " (3.81 $\mu$ m) min. thickness

Order No.	Carrier	Finish	Dimension	
			A	B
19713-4001	Loose	Tin	9.02 (.355)	6.35 (.250)
19713-4003	Strip	Tin	9.02 (.355)	6.35 (.250)

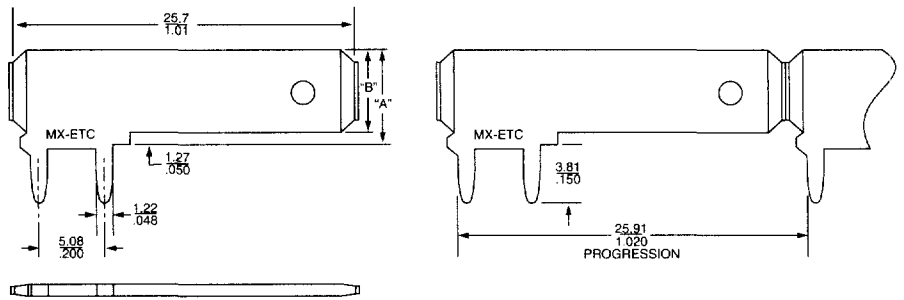


### .250 RIGHT ANGLE SERIES - SPECIAL PLATING

#### Features

- Material — Brass
- Thickness — 0.813mm (.032")
- Tab conforms to NEMA specifications
- Plating — Tin/Lead Alloy over Copper
- Tin/Lead 200 $\mu$ " (5.00 $\mu$ m) min. thickness

Order No.	Carrier	Dimension		Hole
		A	B	
19711-4001	Loose	7.62 (.300)	6.35 (.250)	Yes
19711-4003	Strip	7.62 (.300)	6.35 (.250)	Yes
19711-4005	Loose	7.62 (.300)	6.35 (.250)	No
19711-4007	Strip	7.62 (.300)	6.35 (.250)	No



### .250 RIGHT ANGLE SERIES - SPECIAL PLATING

#### Features

- Material — Brass
- Thickness — 0.813mm (.032")
- Tab conforms to NEMA specifications
- Plating — Tin/Lead Alloy over Copper
- Tin/Lead 200 $\mu$ " (5.00 $\mu$ m) min. thickness

Order No.	Carrier	Finish	Dimension	
			A	B
19711-4201	Loose	Tin/Lead	7.62 (.300)	6.35 (.250)
19711-4203	Strip	Tin/Lead	9.14 (.360)	6.35 (.250)

