

THIS DRAWING IS UNPUBLISHED.

RELEASED FOR PUBLICATION

-. -. .

LOC

DIST

REVISIONS

© COPYRIGHT - By -

ALL RIGHTS RESERVED.

F

-

P

LTR

DESCRIPTION

DATE

DWN

APVD

P

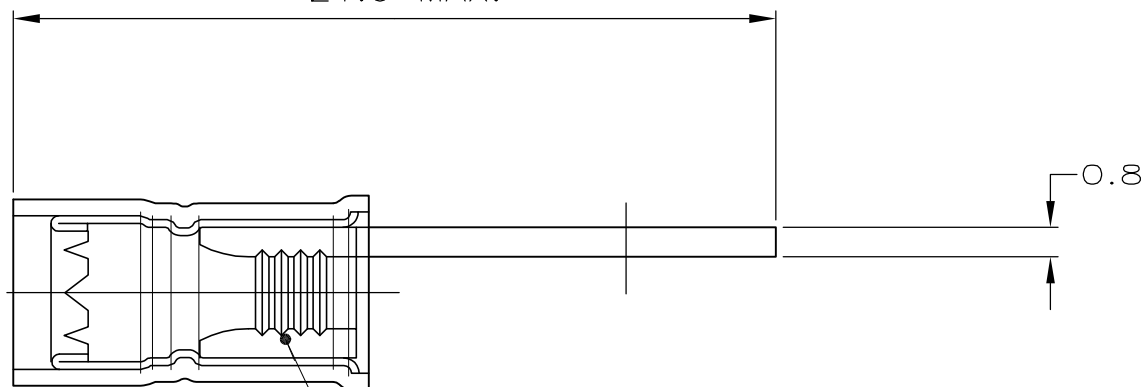
REVISED PER ECO-11-005027

14MAR11

RK

HMR

21.6 MAX.

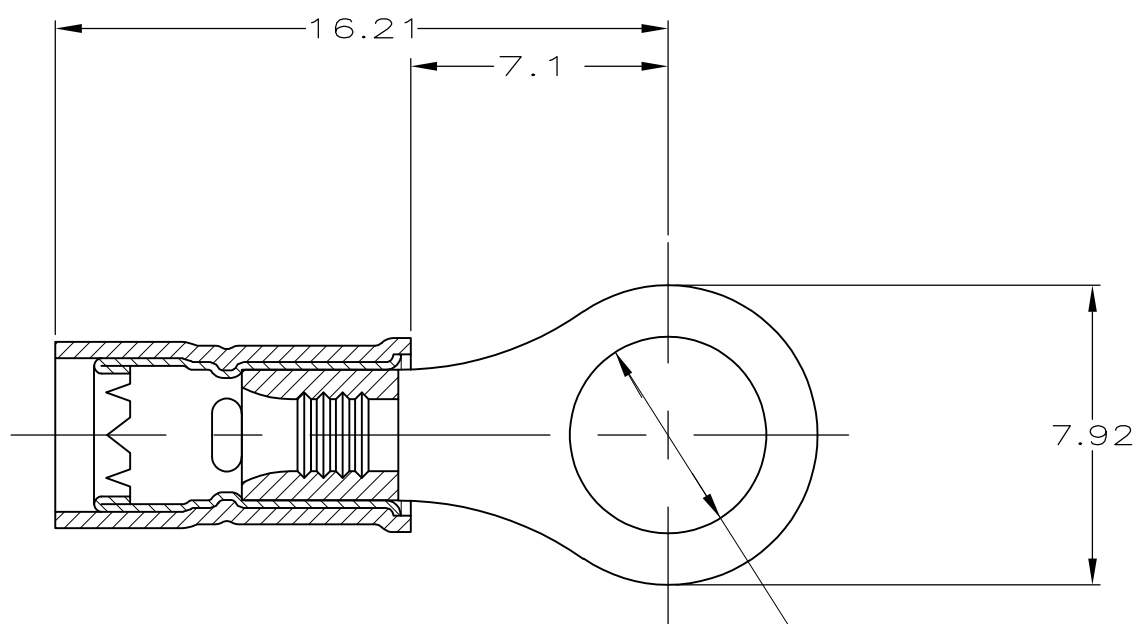


MANCHON ROUGE

16.21

7.1

7.92



TROU POUR BORNE M5 (#10)

DESSIN CLIENT UNIQUEMENT POUR REFERENCES

THIS DRAWING IS A CONTROLLED DOCUMENT.

DWN G. ROBERT 02/02/90

CHK PAR

APVD

PRODUCT SPEC

APPLICATION SPEC

WEIGHT -

CUSTOMER DRAWING

STE TE Connectivity

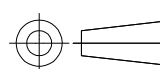
NAME COSSE PIDG

SIZE A3 CAGE CODE 00779 DRAWING NO C-130005 RESTRICTED TO -

SCALE - SHEET 1 OF 1 REV P

DIMENSIONS: mm [INCHES]

TOLERANCES UNLESS OTHERWISE SPECIFIED:



- 0 PLC ± -
- 1 PLC ± 0,3
- 2 PLC ± -
- 3 PLC ± -
- 4 PLC ± -
- ANGLES ± 5°

MATERIAL CUIVRE

FINISH ETAIN