

PLEASE CHECK WWW.MOLEX.COM FOR LATEST PART INFORMATION

Part Number: [0747121007](#)
Status: **Active**
Overview: [ganged_rf](#)
Description: 6.25mm (.246") Pitch Ganged RF Header, Vertical, 6 Circuits

Documents:

[Drawing \(PDF\)](#) [Product Specification PS-74854-001 \(PDF\)](#)
[Packaging Specification \(PDF\)](#) [RoHS Certificate of Compliance \(PDF\)](#)

General

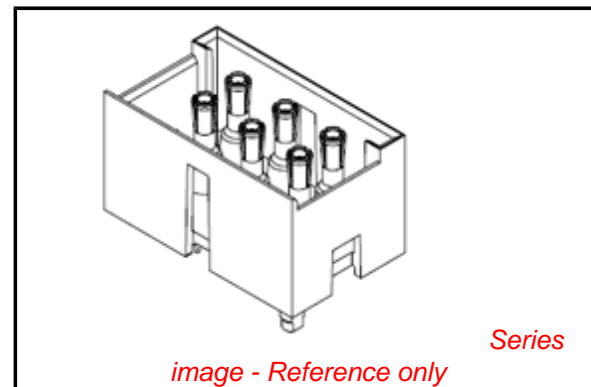
Product Family	Backplane Connectors
Series	74712
Application	Backplane
Comments	Port Numbered 5 Loaded
Component Type	PCB Header
Overview	ganged_rf
Product Name	Ganged RF
Style	N/A

Physical

Circuits (Loaded)	2
Circuits (maximum)	6
Circuits Detail	2
Color - Resin	Black, Natural
Durability (mating cycles max)	500
First Mate / Last Break	No
Guide to Mating Part	No
Keying to Mating Part	Yes
Material - Metal	Copper
Material - Resin	High Temperature Thermoplastic, Polyester
Number of Columns	3
Number of Pairs	N/A
Number of Rows	2
Orientation	Vertical
PC Tail Length (in)	0.141 In
PC Tail Length (mm)	3.58 mm
PCB Locator	Yes
PCB Retention	None
PCB Thickness Recommended (in)	0.177 In
PCB Thickness Recommended (mm)	4.50 mm
Packaging Type	Tray
Pitch - Mating Interface (in)	0.246 In
Pitch - Mating Interface (mm)	6.25 mm
Pitch - Term. Interface (in)	0.246 In
Pitch - Term. Interface (mm)	6.25 mm
Polarized to PCB	Yes
Stackable	No
Surface Mount Compatible (SMC)	Yes
Temperature Range - Operating	-40°C to +85°C
Termination Interface: Style	Through Hole - Compliant Pin

Electrical

Current - Maximum per Contact	1A
Data Rate	3.0 Gbps
Real Signals (per 25mm)	8
Shield Type	N/A



EU RoHS

RoHS Compliant by Exemption
REACH SVHC
 Not Reviewed
Halogen-Free
Status
Not Reviewed

China RoHS



Need more information on product environmental compliance?

Email productcompliance@molex.com
 For a multiple part number RoHS Certificate of Compliance, [click here](#)

Please visit the [Contact Us](#) section for any non-product compliance questions.

Search Parts in this Series

[74712Series](#)

Mates With

[74642 Ganged RF Receptacle](#)

Shielded
Voltage - Maximum

No
50V AC

Material Info

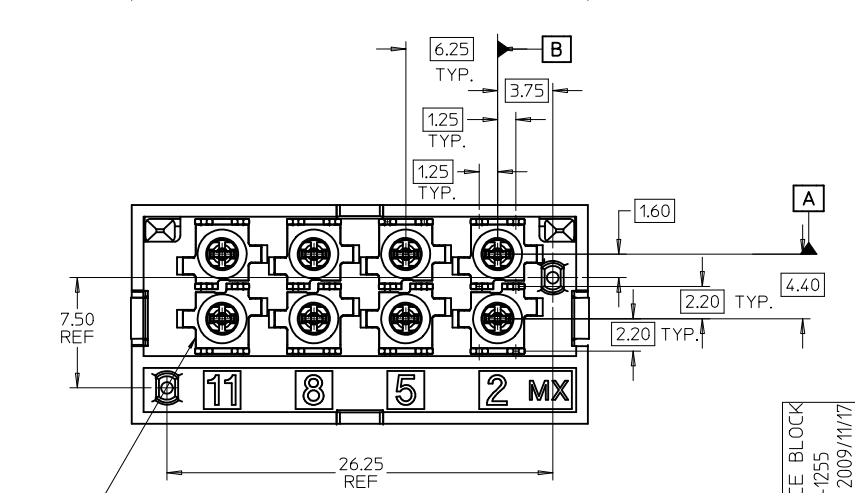
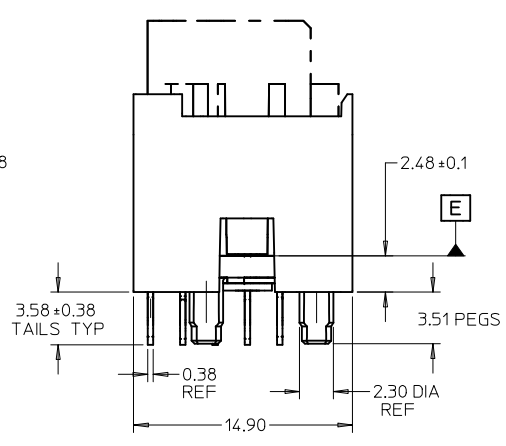
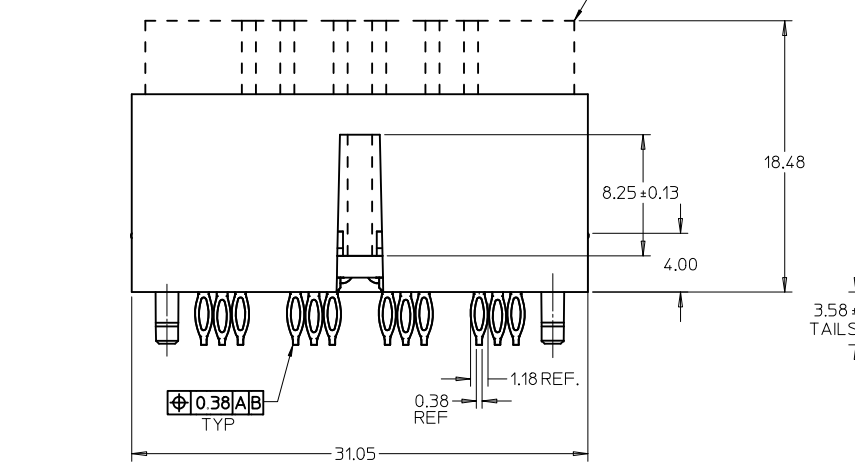
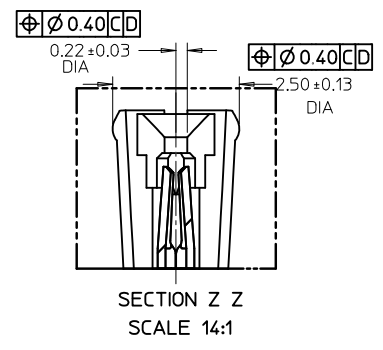
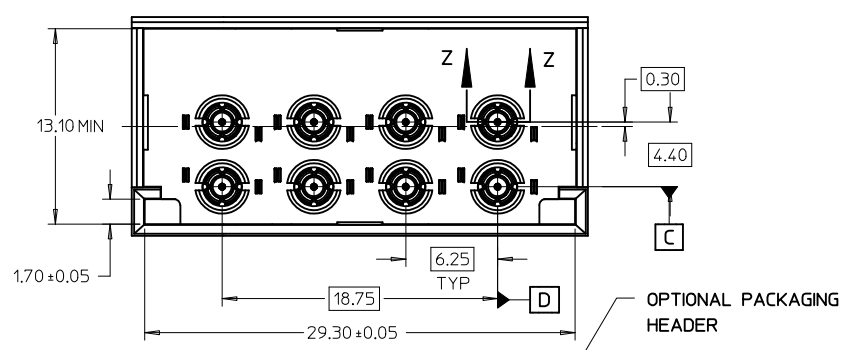
Reference - Drawing Numbers

Packaging Specification
Product Specification
Sales Drawing

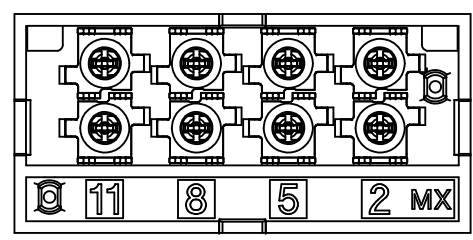
PK-74712-101
PS-74854-001
SD-74712-003

This document was generated on 05/15/2010

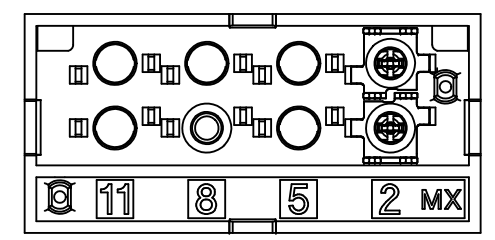
PLEASE CHECK WWW.MOLEX.COM FOR LATEST PART INFORMATION



CONTACT LOADING OPTIONS FOR 8 POS CONNECTORS



MAT'L NO. 747120001/0003
POSITION 2,5,8 & 11 LOADED



MAT'L NO. 747120002
POSITION 2 LOADED

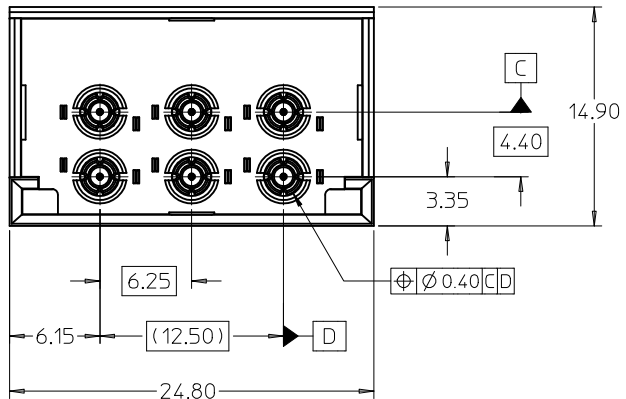
MATERIAL NO.	TERMINAL LOADING BY POSITION	74712 PACKAGING
74712-0001	2, 5, 8, 11	PK-74712-001
74712-0002	2	PK-74712-001
74712-0003	2, 5, 8, 11	PK-74712-002

- NOTES:
- MATERIAL:
 - HOUSING: GLASS FILLED THERMO PLASTIC, 94V-0
 - INSULATOR: GLASS FILLED THERMO PLASTIC, 94V-0
 - PACKAGING HEADER: GLASS FILLED THERMO PLASTIC, 94V-0
 - TERMINALS AND GROUND: TIN BRASS
 - OUTER GROUND CONTACT: PHOSPHOR BRONZE
 - PLATING:
 - TERMINALS:
 - SELECTIVE 0.76 MICRONS MIN. GOLD IN CONTACT AREA
 - SELECTIVE 0.88 MICRONS MIN. TIN BOTH OVER
 - 1.27 MICRONS MIN. NICKEL UNDERPLATE
 - GROUNDS:
 - 0.88 MICRONS MIN. TIN OVERALL OVER
 - 1.27 MICRONS MIN. NICKEL UNDERPLATE
 - OUTER GROUND CONTACT:
 - 0.76 MICRONS MIN. GOLD OVERALL OVER
 - 1.27 MICRONS MIN. NICKEL UNDERPLATE
 - REFER TO PRODUCT SPEC.: PS-74854-001 FOR ELECTRICAL, MECHANICAL AND ENVIRONMENTAL REQUIREMENTS.
 - REFER TO PACKAGING SPEC STATED IN CHARTS FOR DETAILS OF THE PACKAGING REQUIREMENTS.
 - DATE CODE MARKING TO BE LOCATED ANYWHERE ON PLASTIC HOUSING. FIRST TWO DIGITS = WEEK NUMBER. LAST TWO DIGITS = YEAR.
 - THIS PART CONFORMS TO CLASS B REQUIREMENTS OF MOLEX COSMETIC SPECIFICATION PS-45499-002.

8 POS. CONNECTOR SHOWN

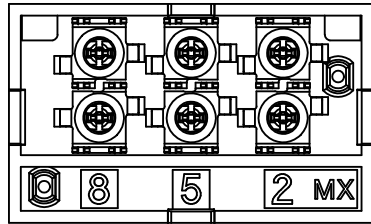
MARKING ON BOTTOM OF SUB-ASSEMBLY INDICATES INSPECTION ACCEPTANCE

ADD TOLERANCE BLOCK EC NO: UCP2010-1255 DRWN: JENDOZA 2009/11/17 CHKD: 2009/11/23 APPR: BINGHAM 2009/11/23	QUALITY SYMBOLS	GENERAL TOLERANCES (UNLESS SPECIFIED)	SCALE 4:1	DESIGN UNITS METRIC	THIRD ANGLE PROJECTION	REVISE ON CAD ONLY				
	▽ 0 ∇ 0	4 PLACES ± --- ± --- 3 PLACES ± --- ± --- 2 PLACES ± 0.13 ± --- 1 PLACE ± 0.25 ± ---	mm INCH DIMENSION STYLE MM ONLY	DRAWN BY DATE SREED 2006/06/06	DATE 2006/06/06	TITLE SALES DRAWING FOR VERTICAL GANGED RF CONNECTOR, LONG TAILS				
							APPROVED BY DATE JBINGHAM 2009/11/23	MATERIAL NO. SEE CHART	DOCUMENT NO. SD-74712-003	SHEET NO. 1 OF 5
							DRAFT WHERE APPLICABLE MUST REMAIN WITHIN DIMENSIONS			
THIS DRAWING CONTAINS INFORMATION THAT IS PROPRIETARY TO MOLEX INCORPORATED AND SHOULD NOT BE USED WITHOUT WRITTEN PERMISSION										



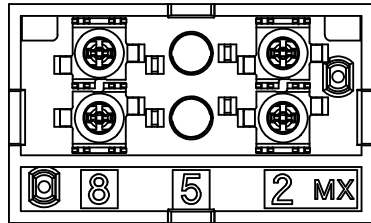
6 POSITION CONNECTOR			
MATERIAL NUMBER	POSITION OF LOADED TERMINAL(S)	OPTIONAL PACKAGING HEADER	PACKAGING SPECIFICATION
74712-1001	2, 5, 8	YES	PK-74712-101
74712-1002	2, 8	YES	
74712-1003	2	YES	
74712-1004	8	YES	PK-74712-102
74712-1007	5	YES	
74712-1005	2, 5, 8	YES	
74712-1006	2	YES	

MATERIAL NUMBER: 74712-1001/-1005



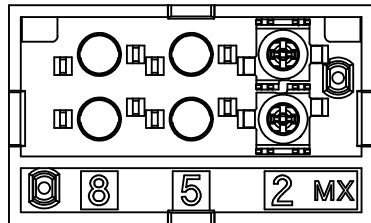
TERMINAL POSITIONS LOADED: 2, 5, 8

MATERIAL NUMBER: 74712-1002



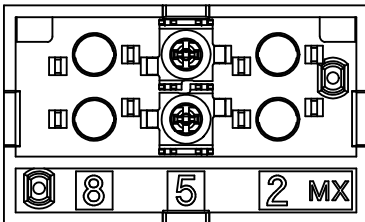
TERMINAL POSITIONS LOADED: 2, 8

MATERIAL NUMBER: 74712-1003/-1006



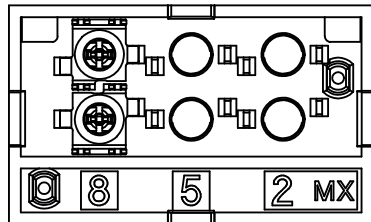
TERMINAL POSITION LOADED: 2

MATERIAL NUMBER: 74712-1007

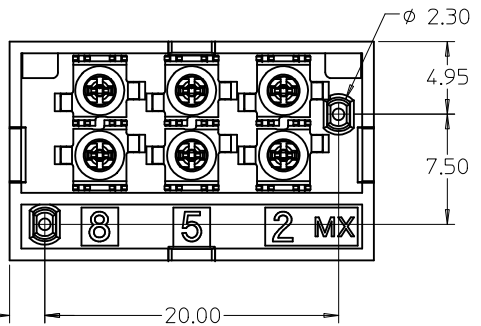
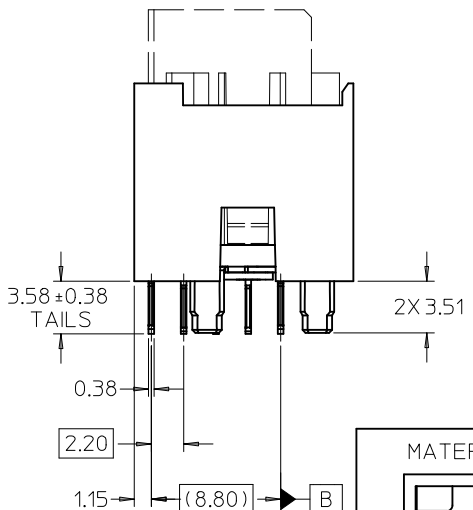
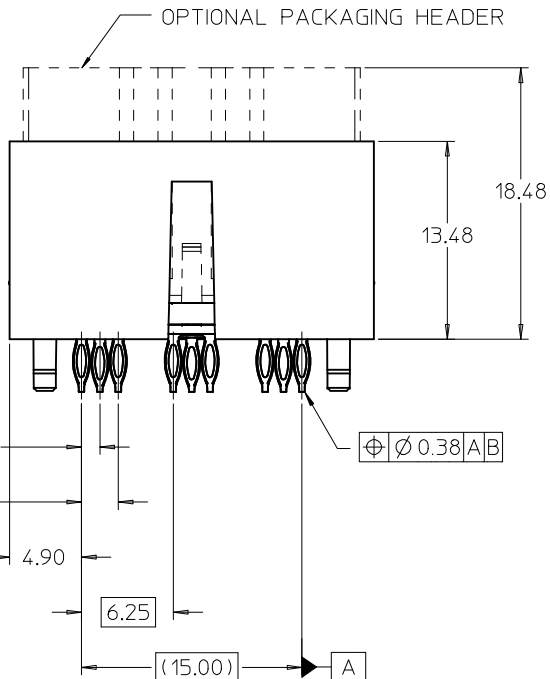


TERMINAL POSITION LOADED: 5

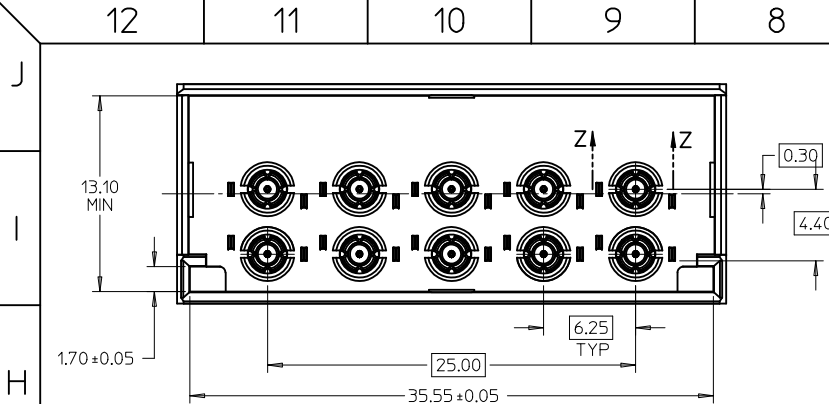
MATERIAL NUMBER: 74712-1004



TERMINAL POSITION LOADED: 8

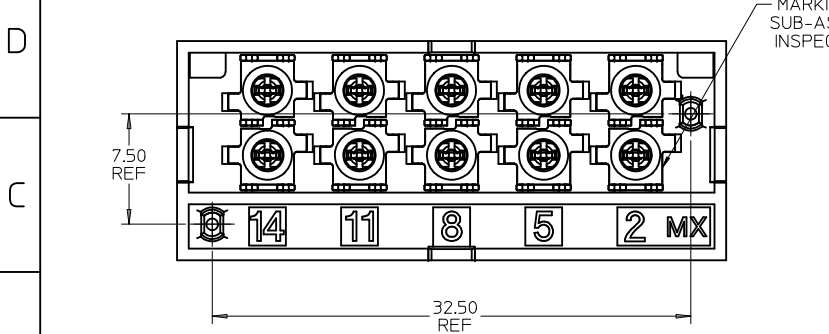
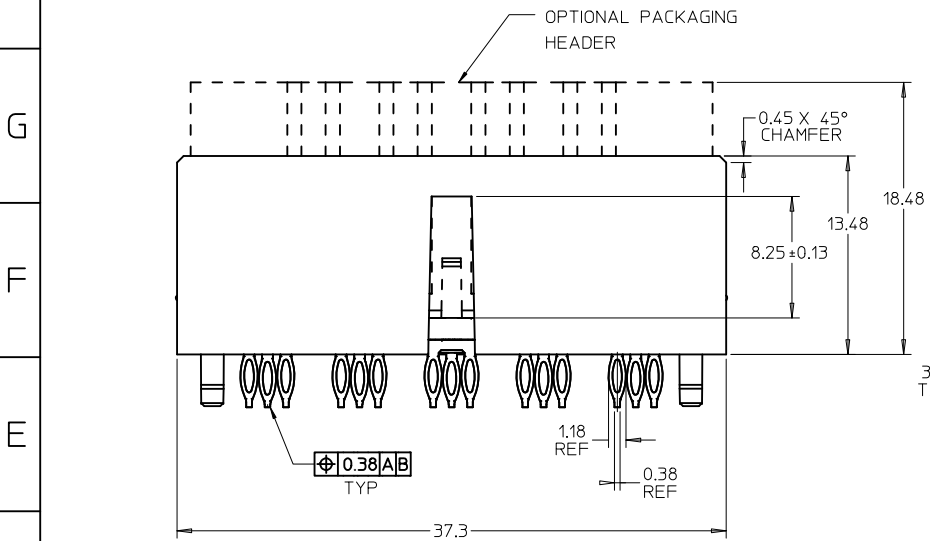


SEE SHEET 1 EC NO: UCP2010-1255 DRWN: MENDOZA CHKD: 2009/11/23 APPR: JBINGHAM 2009/11/23	QUALITY SYMBOLS ▽=0 ▽=0	GENERAL TOLERANCES (UNLESS SPECIFIED) 4 PLACES ± 0.15 ± 0.006 3 PLACES ± 0.25 ± 0.010 2 PLACES ± 0.38 ± 0.015 1 PLACE ± 0.50 ± 0.020 ANGULAR ± 2°	DIMENSION STYLE MM ONLY DRAWN BY DATE SREED 2006/06/06 CHECKED BY DATE JBINGHAM 2006/06/06 APPROVED BY DATE JBINGHAM 2009/11/23	SCALE 4:1 DESIGN UNITS METRIC THIRD ANGLE PROJECTION	TITLE SALES DRAWING FOR VERTICAL GANGED RF CONNECTOR, LONG TAILS MOLEX INCORPORATED SD-74712-003	SHEET NO. 2 OF 5
	DRAFT WHERE APPLICABLE MUST REMAIN WITHIN DIMENSIONS	SEE CHART	MATERIAL NO.	DOCUMENT NO.	MOLEX INCORPORATED	
	THIS DRAWING CONTAINS INFORMATION THAT IS PROPRIETARY TO MOLEX INCORPORATED AND SHOULD NOT BE USED WITHOUT WRITTEN PERMISSION	MOLEX INCORPORATED				
	THIS DRAWING CONTAINS INFORMATION THAT IS PROPRIETARY TO MOLEX INCORPORATED AND SHOULD NOT BE USED WITHOUT WRITTEN PERMISSION					



NOTE: REFER TO SHEET 1 FOR ALL DIMENSIONS.
SECTION VIEW AND NOTES NOT SHOWN.

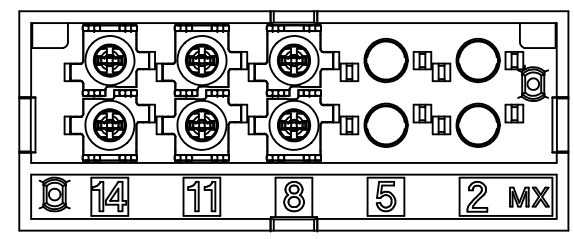
MATERIAL NO.	TERMINAL LOADING BY POSITION	PACKAGING
74712-3001	2, 5, 8, 11, 14	PK-74712-210
74712-3002	8, 11, 14	PK-74712-210



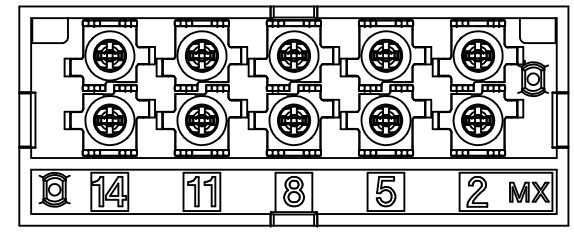
MARKING ON BOTTOM OF SUB-ASSEMBLY INDICATES INSPECTION ACCEPTANCE

10 POSITION CONNECTOR SHOWN

CONTACT LOADING OPTIONS FOR 10 POSITION CONNECTORS

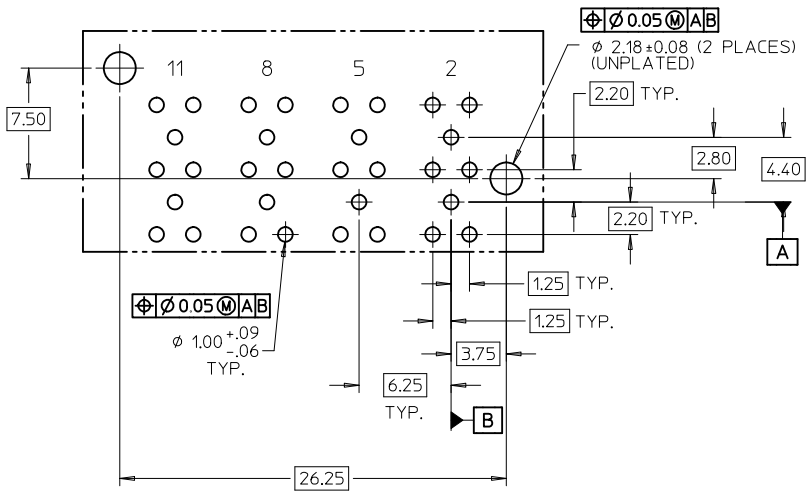


MAT'L NO. 747123002
POSITIONS 8,11,14 LOADED

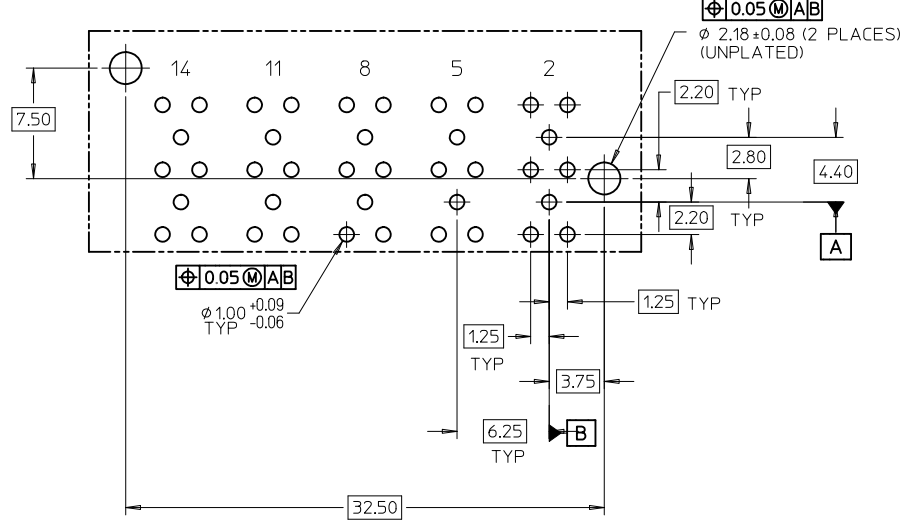


MAT'L NO. 747123001
POSITIONS 2,5,8,11,14 LOADED

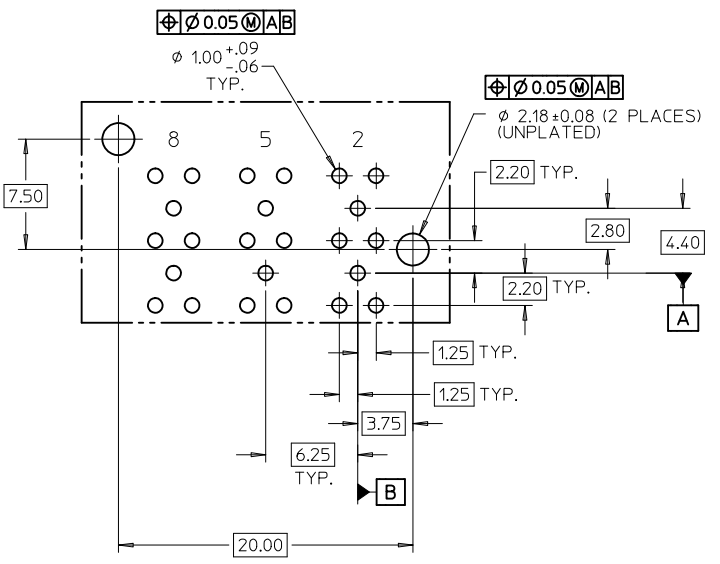
SEE SHEET 1 EC NO: UCP2010-1255 DRWN: JMENDOZA 2009/11/17 CHKD: 2009/11/23 APPR: JBINGHAM 2009/11/23	QUALITY SYMBOLS	GENERAL TOLERANCES (UNLESS SPECIFIED)		SCALE 4:1	DESIGN UNITS METRIC	THIRD ANGLE PROJECTION	REVISE ON CAD ONLY
	▽ - 0 ∇ - 0		mm	INCH	DIMENSION STYLE MM ONLY		SALES DRAWING FOR VERTICAL GANGED RF CONNECTOR, LONG TAILS MOLEX INCORPORATED
		4 PLACES	±---	±---	DRAWN BY SREED	DATE 2006/06/06	
		3 PLACES	±---	±---	CHECKED BY JBINGHAM	DATE 2006/06/06	
2 PLACES	±0.13	±---	APPROVED BY JBINGHAM	DATE 2009/11/23	MATERIAL NO. SEE CHART	DOCUMENT NO. SD-74712-003	
	1 PLACE	±0.25	±---	DRAFT WHERE APPLICABLE MUST REMAIN WITHIN DIMENSIONS		THIS DRAWING CONTAINS INFORMATION THAT IS PROPRIETARY TO MOLEX INCORPORATED AND SHOULD NOT BE USED WITHOUT WRITTEN PERMISSION	



RECOMMENDED PCB LAYOUT
FOR THE 8 POSITION CONNECTOR
COMPONENT SIDE
MAX. BOARD THICKNESS: 4.50



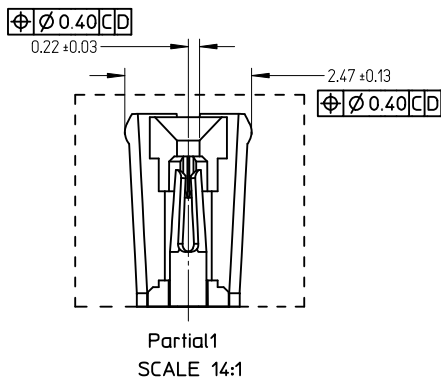
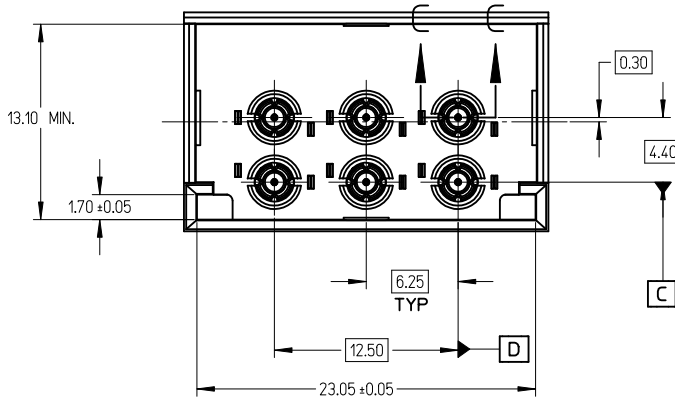
RECOMMENDED PCB LAYOUT
FOR THE 10 POSITION CONNECTOR
COMPONENT SIDE
MAX. BOARD THICKNESS: 4.50



RECOMMENDED PCB LAYOUT
FOR THE 6 POSITION CONNECTOR
COMPONENT SIDE
MAX. BOARD THICKNESS: 4.50

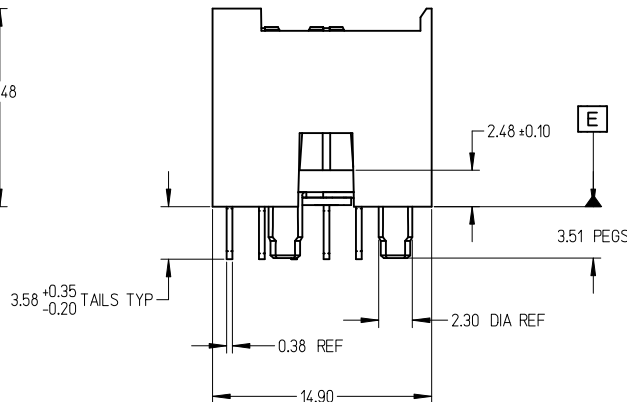
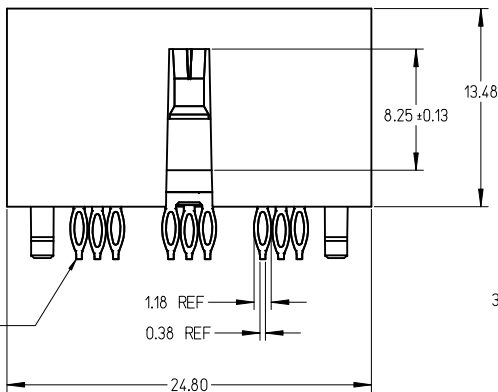
NOTE: DEPENDING ON CONNECTOR PART NUMBER, ALL HOLES MAY NOT BE REQUIRED. REFER TO SHEETS 1-3 FOR LOADED TERMINAL POSITIONS. REFER TO TERMINAL POSITIONS SPECIFIED ON EACH PCB LAYOUT TO DETERMINE WHICH HOLES ARE NEEDED.

SEE SHEET 1 EC NO: UCP2010-1255 DRWN: JMENDOZA 2009/11/17 CHKD: 2009/11/23 APPR: JBINGHAM 2009/11/23	QUALITY SYMBOLS	GENERAL TOLERANCES (UNLESS SPECIFIED)		SCALE 4:1	DESIGN UNITS METRIC	THIRD ANGLE PROJECTION	REVISE ON CAD ONLY
	▼ - 0 ∇ - 0		mm	INCH	DIMENSION STYLE MM ONLY		TITLE SALES DRAWING FOR VERTICAL GANGED RF CONNECTOR, LONG TAILS MOLEX MOLEX INCORPORATED MATERIAL NO. SEE CHARTS SD-74712-003 DOCUMENT NO. SD-74712-003 SHEET NO. 4 OF 5
		4 PLACES	±---	±---	DRAWN BY SREED	DATE 2006/06/06	
		3 PLACES	±---	±---	CHECKED BY JBINGHAM	DATE 2006/06/06	
2 PLACES	±0.13	±---	APPROVED BY JBINGHAM	DATE 2009/11/23			
		1 PLACE	±0.25	±---	ANGULAR ± 2 °	THIS DRAWING CONTAINS INFORMATION THAT IS PROPRIETARY TO MOLEX INCORPORATED AND SHOULD NOT BE USED WITHOUT WRITTEN PERMISSION	
		DRAFT WHERE APPLICABLE MUST REMAIN WITHIN DIMENSIONS					



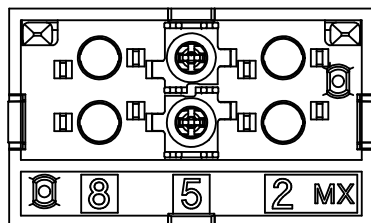
6 POSITION CONNECTOR			
MATERIAL NUMBER	POSITION OF LOADED TERMINAL(S)	OPTIONAL PACKAGING HEADER	PACKAGING SPECIFICATION
74712-1008	2, 8	NO	PK-74712-101
74712-1009	5	NO	

- NOTES:
- MATERIAL:
 - HOUSING: GLASS FILLED THERMO PLASTIC, 94V-0
 - INSULATOR: GLASS FILLED THERMO PLASTIC, 94V-0
 - TERMINALS AND GROUND: TIN BRASS
 - OUTER GROUND CONTACT: PHOSPHOR BRONZE
 - PLATING:
 - TERMINALS:
 - SELECTIVE 0.76 MICRONS MIN. GOLD IN CONTACT AREA
 - SELECTIVE 0.88 MICRONS MIN. TIN BOTH OVER
 - 1.27 MICRONS MIN. NICKEL UNDERPLATE
 - GROUNDS:
 - 0.88 MICRONS MIN. TIN OVERALL OVER
 - 1.27 MICRONS MIN. NICKEL UNDERPLATE
 - OUTER GROUND CONTACT:
 - 0.76 MICRONS MIN. GOLD OVERALL OVER
 - 1.27 MICRONS MIN. NICKEL UNDERPLATE
 - REFER TO PRODUCT SPEC.: PS-74854-001 FOR ELECTRICAL, MECHANICAL AND ENVIRONMENTAL REQUIREMENTS.
 - REFER TO PACKAGING SPEC STATED IN CHARTS FOR DETAILS OF THE PACKAGING REQUIREMENTS.
 - DATE CODE MARKING TO BE LOCATED ANYWHERE ON PLASTIC HOUSING. FIRST TWO DIGITS = WEEK NUMBER. LAST TWO DIGITS = YEAR.
 - THIS PART CONFORMS TO CLASS B REQUIREMENTS OF MOLEX COSMETIC SPECIFICATION PS-45499-002.



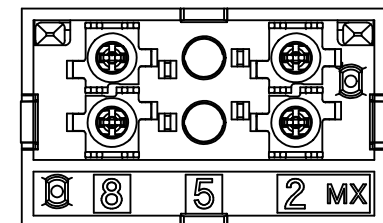
6 POS. CONNECTOR SHOWN

MATERIAL NUMBER: 74712-1009

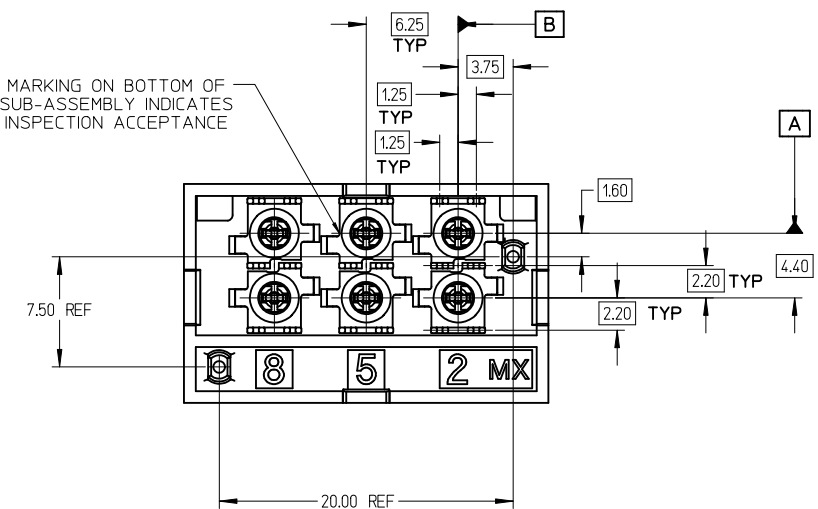


TERMINAL POSITION LOADED: 5

MATERIAL NUMBER: 74712-1008



TERMINAL POSITIONS LOADED: 2, 8



SEE SHEET 1 EC NO: UCP2010-1255 DRAWN: J MENDOZA CHKD: 2009/11/23 APPR: J BINGHAM 2009/11/23	QUALITY SYMBOLS	GENERAL TOLERANCES (UNLESS SPECIFIED)	DIMENSION STYLE	SCALE	DESIGN UNITS	THIRD ANGLE PROJECTION																		
	$\nabla=0$ $\nabla=0$	<table border="1"> <tr> <th></th> <th>mm</th> <th>INCH</th> </tr> <tr> <td>4 PLACES</td> <td>± ---</td> <td>± ---</td> </tr> <tr> <td>3 PLACES</td> <td>± ---</td> <td>± ---</td> </tr> <tr> <td>2 PLACES</td> <td>± 0.13</td> <td>± ---</td> </tr> <tr> <td>1 PLACE</td> <td>± 0.25</td> <td>± ---</td> </tr> <tr> <td colspan="3">ANGULAR ± 2°</td> </tr> </table>		mm	INCH	4 PLACES	± ---	± ---	3 PLACES	± ---	± ---	2 PLACES	± 0.13	± ---	1 PLACE	± 0.25	± ---	ANGULAR ± 2°			MM ONLY	4:1	METRIC	
		mm	INCH																					
	4 PLACES	± ---	± ---																					
3 PLACES	± ---	± ---																						
2 PLACES	± 0.13	± ---																						
1 PLACE	± 0.25	± ---																						
ANGULAR ± 2°																								
DESCRIPTION	DRAFT WHERE APPLICABLE MUST REMAIN WITHIN DIMENSIONS	<table border="1"> <tr> <th>DRIVEN BY</th> <th>DATE</th> <th>TITLE</th> </tr> <tr> <td>SREED</td> <td>2006/06/06</td> <td rowspan="4"> SALES DRAWING FOR VERTICAL GANGED RF CONNECTOR, LONG TAILS MOLEX INCORPORATED </td> </tr> <tr> <td>CHECKED BY</td> <td>DATE</td> </tr> <tr> <td>APPROVED BY</td> <td>DATE</td> </tr> <tr> <td>J BINGHAM</td> <td>2009/11/23</td> </tr> </table>	DRIVEN BY	DATE	TITLE	SREED	2006/06/06	SALES DRAWING FOR VERTICAL GANGED RF CONNECTOR, LONG TAILS MOLEX INCORPORATED	CHECKED BY	DATE	APPROVED BY	DATE	J BINGHAM	2009/11/23										
DRIVEN BY	DATE	TITLE																						
SREED	2006/06/06	SALES DRAWING FOR VERTICAL GANGED RF CONNECTOR, LONG TAILS MOLEX INCORPORATED																						
CHECKED BY	DATE																							
APPROVED BY	DATE																							
J BINGHAM	2009/11/23																							
REV	SIZE	MATERIAL NO.	DOCUMENT NO.	SHEET NO.																				
1	C	74712-1009	SD-74712-003	5 OF 5																				