

PLEASE CHECK WWW.MOLEX.COM FOR LATEST PART INFORMATION

Part Number: [0747121005](#)
Status: **Active**
Overview: [ganged_rf](#)
Description: 6.25mm (.246") Pitch Ganged RF Header, Vertical, 6 Circuits

Documents:

[Drawing \(PDF\)](#) [Product Specification PS-74854-001 \(PDF\)](#)
[Packaging Specification \(PDF\)](#) [RoHS Certificate of Compliance \(PDF\)](#)

General

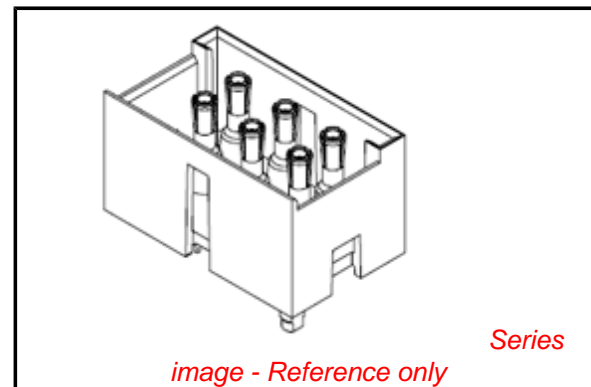
Product Family	Backplane Connectors
Series	74712
Application	Backplane
Comments	Ports Numbered 2, 5, and 8 Loaded
Component Type	PCB Header
Overview	ganged_rf
Product Name	Ganged RF
Style	N/A

Physical

Circuits (Loaded)	6
Circuits (maximum)	6
Circuits Detail	6
Color - Resin	Black, Natural
Durability (mating cycles max)	500
First Mate / Last Break	No
Guide to Mating Part	No
Keying to Mating Part	Yes
Material - Metal	Copper
Material - Resin	High Temperature Thermoplastic, Polyester
Number of Columns	3
Number of Pairs	N/A
Number of Rows	2
Orientation	Vertical
PC Tail Length (in)	0.141 In
PC Tail Length (mm)	3.58 mm
PCB Locator	Yes
PCB Retention	None
PCB Thickness Recommended (in)	0.177 In
PCB Thickness Recommended (mm)	4.50 mm
Packaging Type	Tray
Pitch - Mating Interface (in)	0.246 In
Pitch - Mating Interface (mm)	6.25 mm
Pitch - Term. Interface (in)	0.246 In
Pitch - Term. Interface (mm)	6.25 mm
Polarized to PCB	Yes
Stackable	No
Surface Mount Compatible (SMC)	Yes
Temperature Range - Operating	-40°C to +85°C
Termination Interface: Style	Through Hole - Compliant Pin

Electrical

Current - Maximum per Contact	1A
Data Rate	3.0 Gbps
Real Signals (per 25mm)	8
Shield Type	N/A



EU RoHS

RoHS Compliant by Exemption

REACH SVHC

Not Reviewed

Halogen-Free

Status

Not Reviewed

China RoHS



Pb

Need more information on product environmental compliance?

Email productcompliance@molex.com
 For a multiple part number RoHS Certificate of Compliance, [click here](#)

Please visit the [Contact Us](#) section for any non-product compliance questions.

Search Parts in this Series

[74712Series](#)

Mates With

[74642 Ganged RF Receptacle](#)

Shielded
Voltage - Maximum

No
50V AC

Material Info

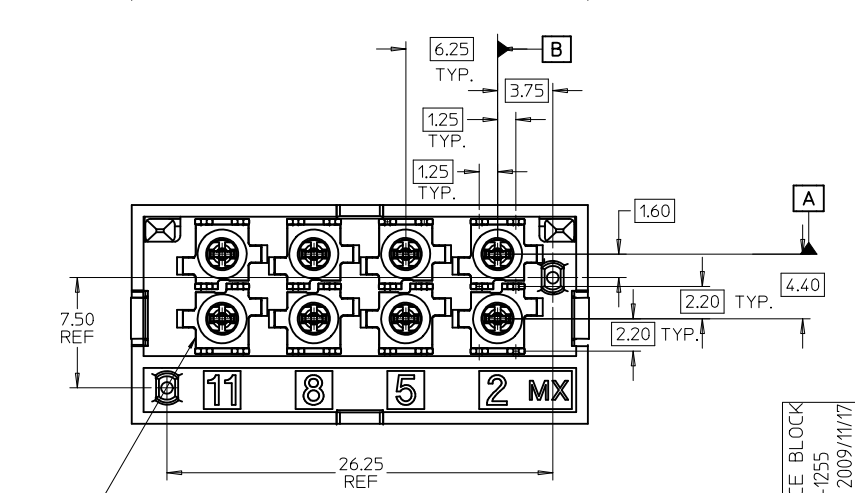
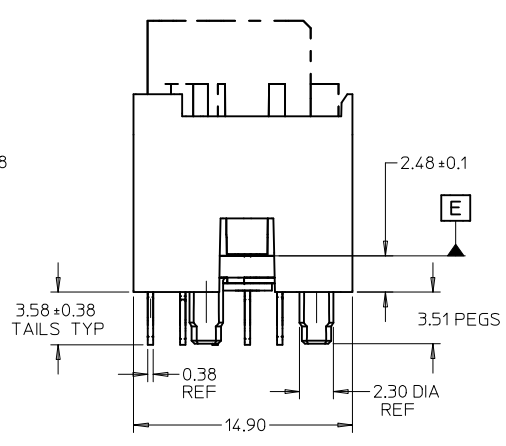
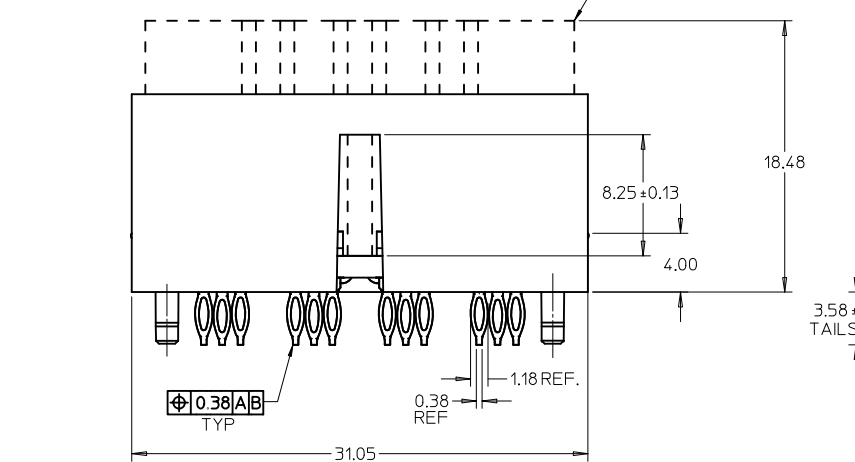
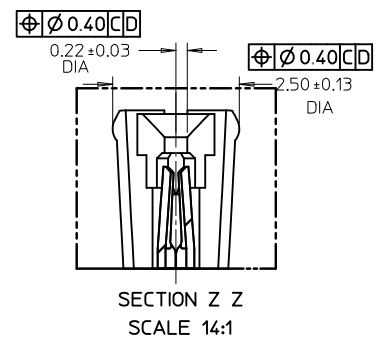
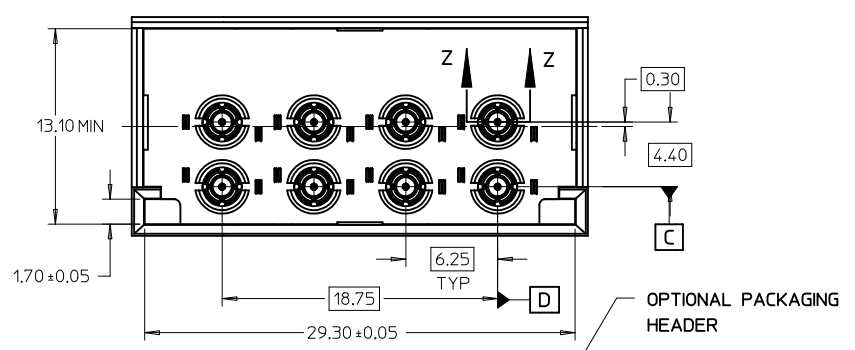
Reference - Drawing Numbers

Packaging Specification
Product Specification
Sales Drawing

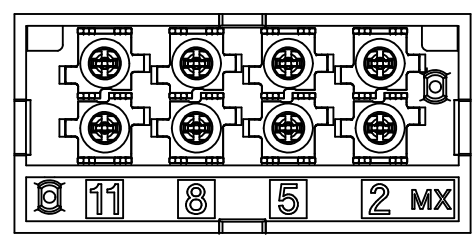
PK-74712-102
PS-74854-001
SD-74712-003

This document was generated on 05/15/2010

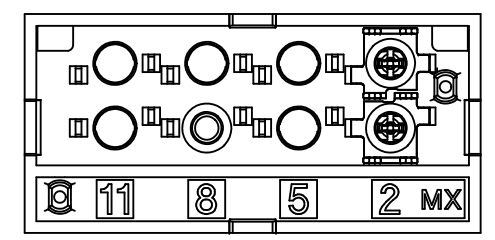
PLEASE CHECK WWW.MOLEX.COM FOR LATEST PART INFORMATION



CONTACT LOADING OPTIONS FOR 8 POS CONNECTORS



MAT'L NO. 747120001/0003
POSITION 2,5,8 & 11 LOADED



MAT'L NO. 747120002
POSITION 2 LOADED



MOLEX INCORPORATED

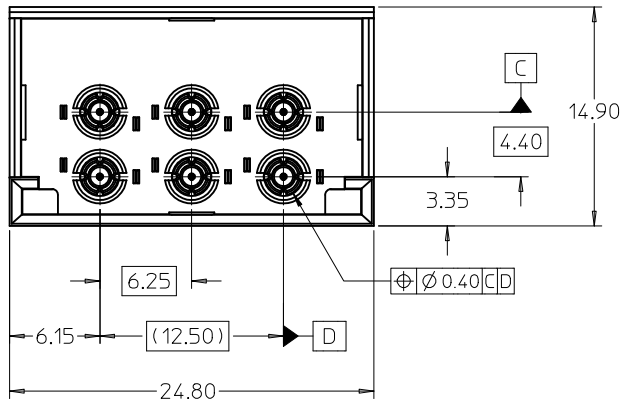
MATERIAL NO. SEE CHART DOCUMENT NO. SD-74712-003 SHEET NO. 1 OF 5

NOTES:

- MATERIAL:
 - HOUSING: GLASS FILLED THERMO PLASTIC, 94V-0
 - INSULATOR: GLASS FILLED THERMO PLASTIC, 94V-0
 - PACKAGING HEADER: GLASS FILLED THERMO PLASTIC, 94V-0
 - TERMINALS AND GROUND: TIN BRASS
 - OUTER GROUND CONTACT: PHOSPHOR BRONZE
- PLATING:
 - TERMINALS:
 - SELECTIVE 0.76 MICRONS MIN. GOLD IN CONTACT AREA
 - SELECTIVE 0.88 MICRONS MIN. TIN BOTH OVER
 - 1.27 MICRONS MIN. NICKEL UNDERPLATE
 - GROUNDS:
 - 0.88 MICRONS MIN. TIN OVERALL OVER
 - 1.27 MICRONS MIN. NICKEL UNDERPLATE
 - OUTER GROUND CONTACT:
 - 0.76 MICRONS MIN. GOLD OVERALL OVER
 - 1.27 MICRONS MIN. NICKEL UNDERPLATE
- REFER TO PRODUCT SPEC.: PS-74854-001 FOR ELECTRICAL, MECHANICAL AND ENVIRONMENTAL REQUIREMENTS.
- REFER TO PACKAGING SPEC STATED IN CHARTS FOR DETAILS OF THE PACKAGING REQUIREMENTS.
- DATE CODE MARKING TO BE LOCATED ANYWHERE ON PLASTIC HOUSING. FIRST TWO DIGITS = WEEK NUMBER. LAST TWO DIGITS = YEAR.
- THIS PART CONFORMS TO CLASS B REQUIREMENTS OF MOLEX COSMETIC SPECIFICATION PS-45499-002.

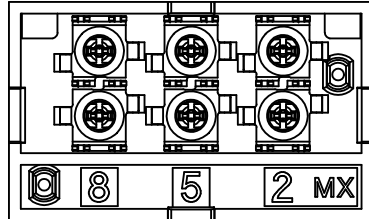
ADD TOLERANCE BLOCK EC NO: UCP2010-1255 DRWN: JENDOZA 2009/11/17 CHKD: 2009/11/23 APPR: BINGHAM 2009/11/23	QUALITY SYMBOLS	GENERAL TOLERANCES (UNLESS SPECIFIED)	SCALE 4:1	DESIGN UNITS METRIC	THIRD ANGLE PROJECTION	REVISE ON CAD ONLY
	▽ 0 ∇ 0	4 PLACES ± --- ± --- 3 PLACES ± --- ± --- 2 PLACES ± 0.13 ± --- 1 PLACE ± 0.25 ± ---	mm	INCH	DIMENSION STYLE	
			MM ONLY		DRAWN BY DATE	
			DRAFT WHERE APPLICABLE		SREED 2006/06/06	
REV E1	DESCRIPTION	ANGULAR ± 2 °	APPROVED BY DATE	DATE	TITLE	
		MUST REMAIN WITHIN DIMENSIONS	JBINGHAM 2009/11/23	2006/06/06	SALES DRAWING FOR VERTICAL GANGED RF CONNECTOR, LONG TAILS	
					MOLEX INCORPORATED	
					THIS DRAWING CONTAINS INFORMATION THAT IS PROPRIETARY TO MOLEX INCORPORATED AND SHOULD NOT BE USED WITHOUT WRITTEN PERMISSION	

8 POS. CONNECTOR SHOWN



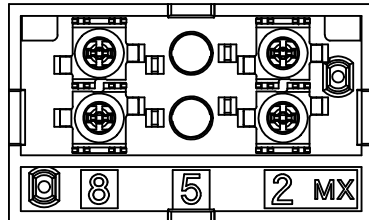
6 POSITION CONNECTOR			
MATERIAL NUMBER	POSITION OF LOADED TERMINAL(S)	OPTIONAL PACKAGING HEADER	PACKAGING SPECIFICATION
74712-1001	2, 5, 8	YES	PK-74712-101
74712-1002	2, 8	YES	
74712-1003	2	YES	
74712-1004	8	YES	PK-74712-102
74712-1007	5	YES	
74712-1005	2, 5, 8	YES	
74712-1006	2	YES	

MATERIAL NUMBER: 74712-1001/-1005



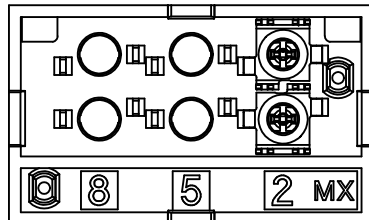
TERMINAL POSITIONS LOADED: 2, 5, 8

MATERIAL NUMBER: 74712-1002



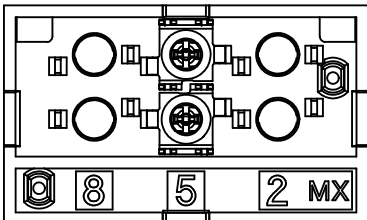
TERMINAL POSITIONS LOADED: 2, 8

MATERIAL NUMBER: 74712-1003/-1006



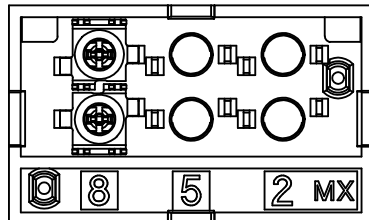
TERMINAL POSITION LOADED: 2

MATERIAL NUMBER: 74712-1007

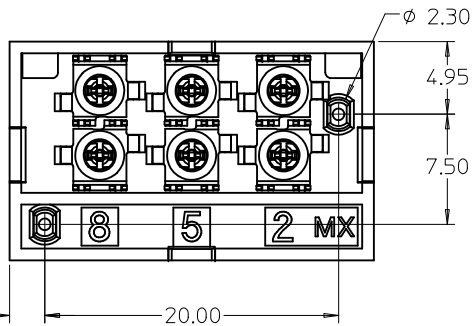
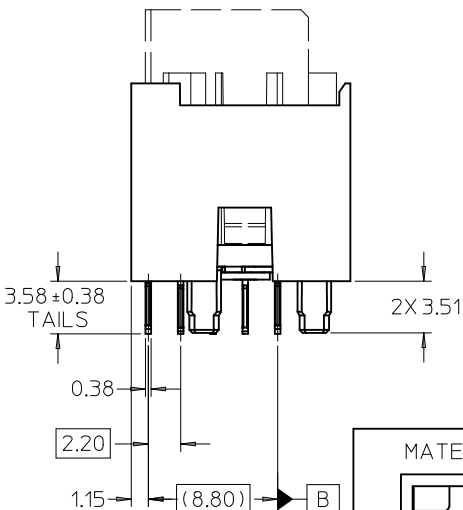
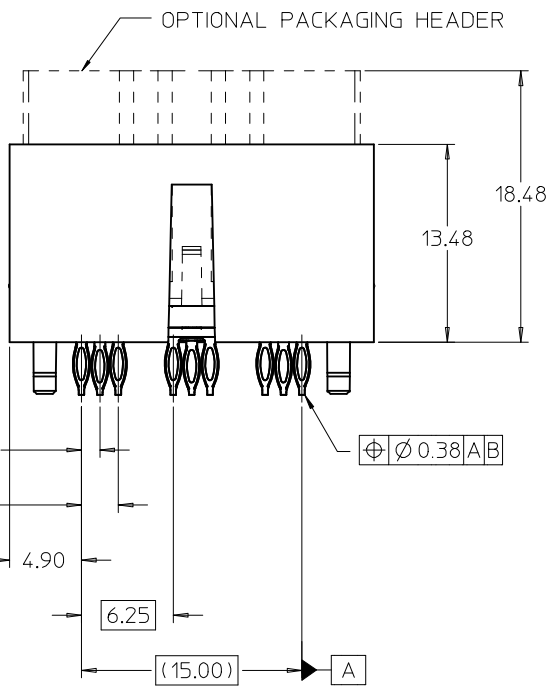


TERMINAL POSITION LOADED: 5

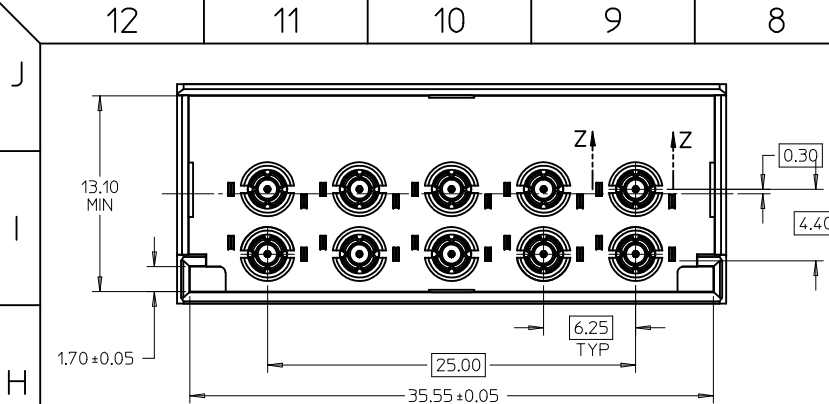
MATERIAL NUMBER: 74712-1004



TERMINAL POSITION LOADED: 8

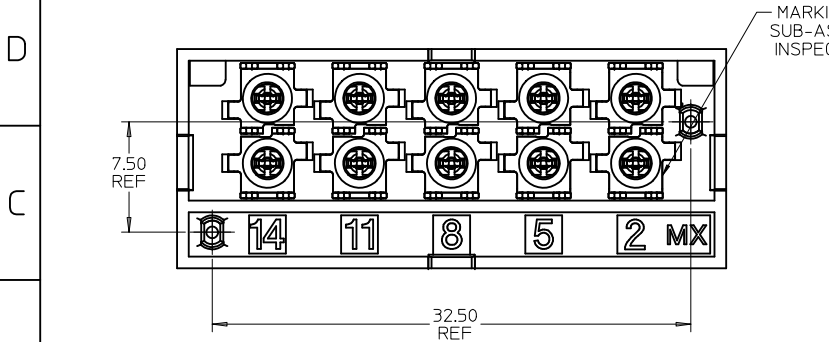
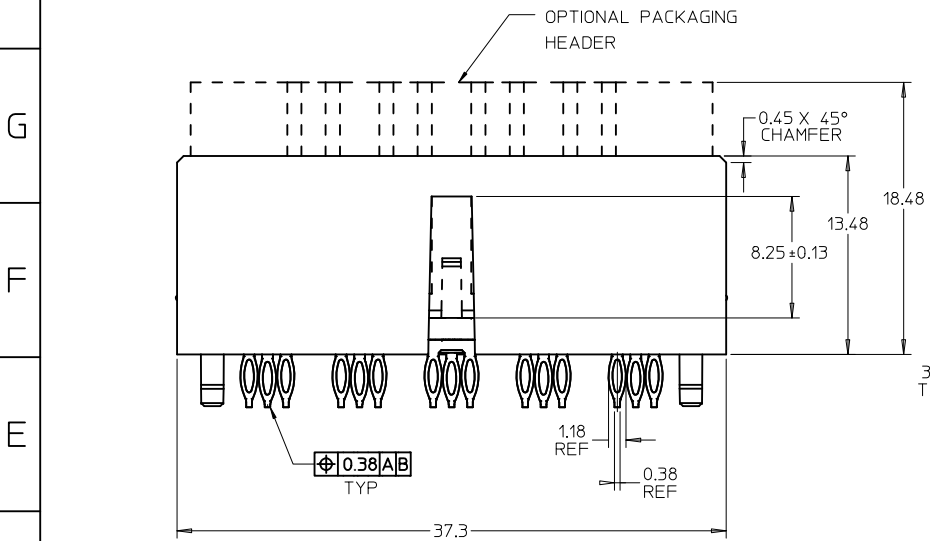


SEE SHEET 1 EC NO: UCP2010-1255 DRWN: MENDOZA CHKD: 2009/11/23 APPR: JBINGHAM 2009/11/23	QUALITY SYMBOLS ▽=0 ▽=0	GENERAL TOLERANCES (UNLESS SPECIFIED) <table border="1"> <thead> <tr> <th></th> <th>mm</th> <th>INCH</th> </tr> </thead> <tbody> <tr> <td>4 PLACES</td> <td>± 0.15</td> <td>± 0.006</td> </tr> <tr> <td>3 PLACES</td> <td>± 0.20</td> <td>± 0.008</td> </tr> <tr> <td>2 PLACES</td> <td>± 0.25</td> <td>± 0.010</td> </tr> <tr> <td>1 PLACE</td> <td>± 0.30</td> <td>± 0.012</td> </tr> </tbody> </table>		mm	INCH	4 PLACES	± 0.15	± 0.006	3 PLACES	± 0.20	± 0.008	2 PLACES	± 0.25	± 0.010	1 PLACE	± 0.30	± 0.012	DIMENSION STYLE MM ONLY	SCALE 4:1	DESIGN UNITS METRIC	THIRD ANGLE PROJECTION
		mm	INCH																		
	4 PLACES	± 0.15	± 0.006																		
	3 PLACES	± 0.20	± 0.008																		
2 PLACES	± 0.25	± 0.010																			
1 PLACE	± 0.30	± 0.012																			
DRAWN BY SREED DATE 2006/06/06	CHECKED BY JBINGHAM DATE 2006/06/06	APPROVED BY JBINGHAM DATE 2009/11/23	MATERIAL NO. SEE CHART	TITLE SALES DRAWING FOR VERTICAL GANGED RF CONNECTOR, LONG TAILS	MOLEX INCORPORATED	SHEET NO. 2 OF 5															
DRAFT WHERE APPLICABLE MUST REMAIN WITHIN DIMENSIONS	THIS DRAWING CONTAINS INFORMATION THAT IS PROPRIETARY TO MOLEX INCORPORATED AND SHOULD NOT BE USED WITHOUT WRITTEN PERMISSION	DOCUMENT NO. SD-74712-003	MOLEX	MOLEX INCORPORATED	MOLEX INCORPORATED	MOLEX INCORPORATED															



NOTE: REFER TO SHEET 1 FOR ALL DIMENSIONS.
SECTION VIEW AND NOTES NOT SHOWN.

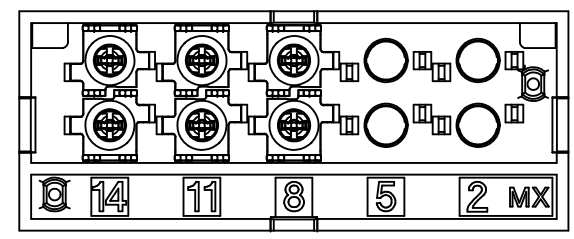
MATERIAL NO.	TERMINAL LOADING BY POSITION	PACKAGING
74712-3001	2, 5, 8, 11, 14	PK-74712-210
74712-3002	8, 11, 14	PK-74712-210



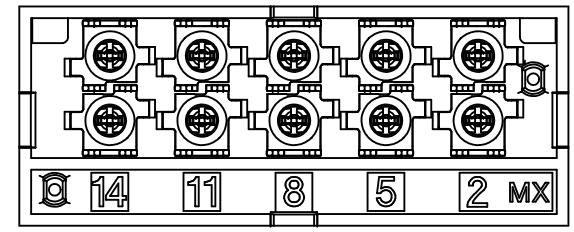
MARKING ON BOTTOM OF SUB-ASSEMBLY INDICATES INSPECTION ACCEPTANCE

10 POSITION CONNECTOR SHOWN

CONTACT LOADING OPTIONS FOR 10 POSITION CONNECTORS

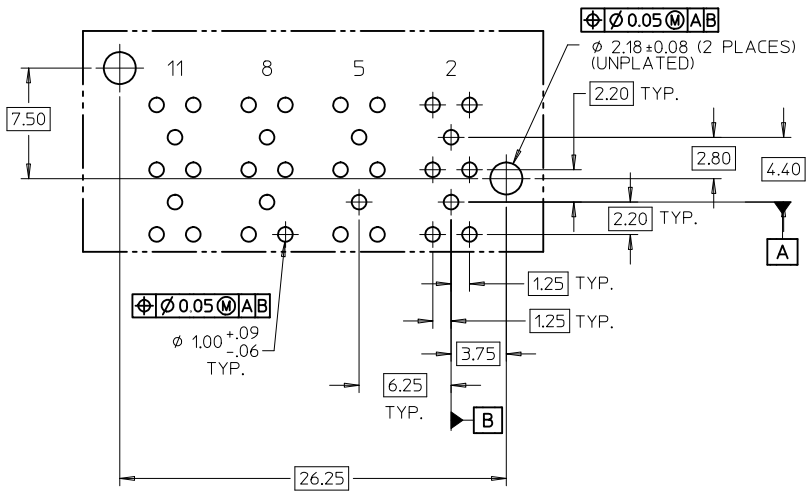


MAT'L NO. 747123002
POSITIONS 8,11,14 LOADED

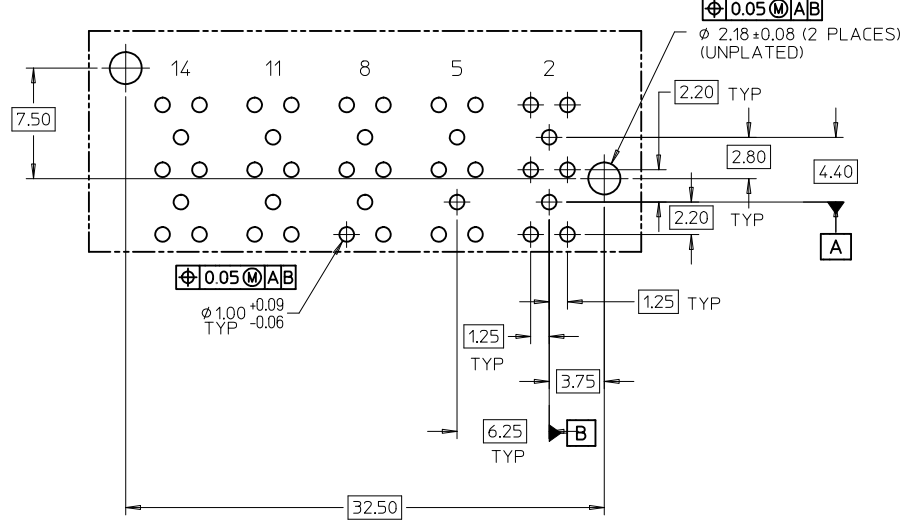


MAT'L NO. 747123001
POSITIONS 2,5,8,11,14 LOADED

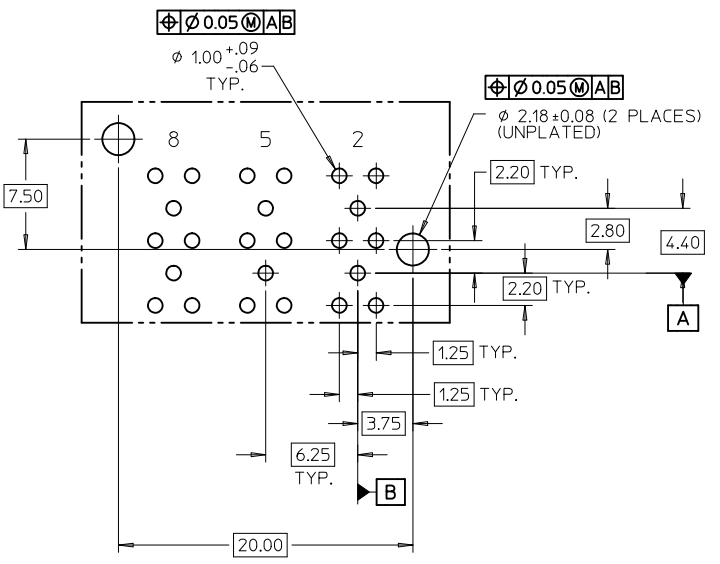
SEE SHEET 1 EC NO: UCP2010-1255 DRWN: JMENDOZA 2009/11/17 CHKD: 2009/11/23 APPR: JBINGHAM 2009/11/23	QUALITY SYMBOLS	GENERAL TOLERANCES (UNLESS SPECIFIED)		SCALE 4:1	DESIGN UNITS METRIC	THIRD ANGLE PROJECTION	REVISE ON CAD ONLY
	▽ - 0 ∇ - 0		mm	INCH	DIMENSION STYLE MM ONLY		SALES DRAWING FOR VERTICAL GANGED RF CONNECTOR, LONG TAILS MOLEX INCORPORATED
		4 PLACES	±---	±---	DRAWN BY SREED	DATE 2006/06/06	
		3 PLACES	±---	±---	CHECKED BY JBINGHAM	DATE 2006/06/06	
2 PLACES	±0.13	±---	APPROVED BY JBINGHAM	DATE 2009/11/23	MATERIAL NO. SEE CHART	DOCUMENT NO. SD-74712-003	
	1 PLACE	±0.25	±---	DRAFT WHERE APPLICABLE MUST REMAIN WITHIN DIMENSIONS		THIS DRAWING CONTAINS INFORMATION THAT IS PROPRIETARY TO MOLEX INCORPORATED AND SHOULD NOT BE USED WITHOUT WRITTEN PERMISSION	



**RECOMMENDED PCB LAYOUT
FOR THE 8 POSITION CONNECTOR
COMPONENT SIDE
MAX. BOARD THICKNESS: 4.50**



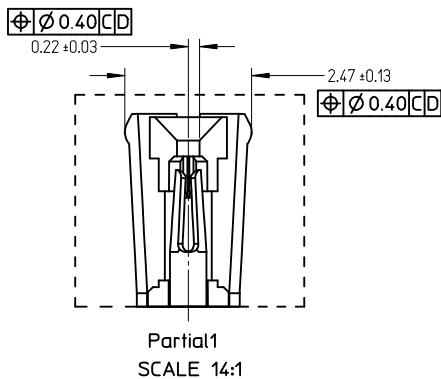
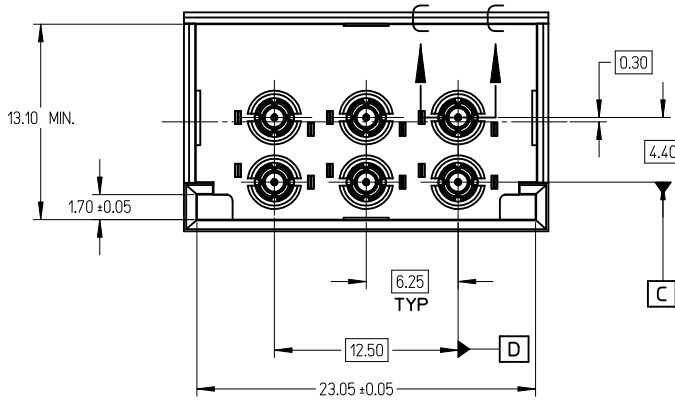
**RECOMMENDED PCB LAYOUT
FOR THE 10 POSITION CONNECTOR
COMPONENT SIDE
MAX. BOARD THICKNESS: 4.50**



**RECOMMENDED PCB LAYOUT
FOR THE 6 POSITION CONNECTOR
COMPONENT SIDE
MAX. BOARD THICKNESS: 4.50**

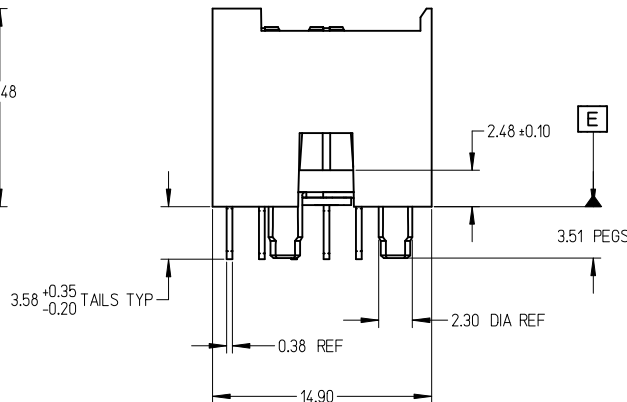
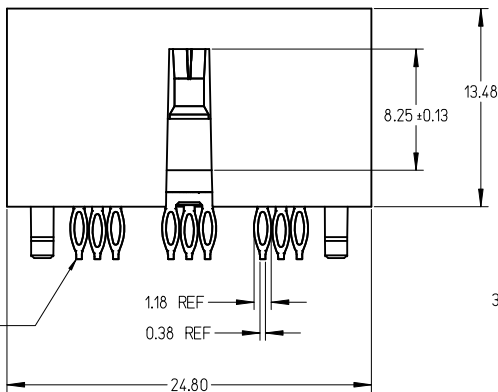
NOTE: DEPENDING ON CONNECTOR PART NUMBER, ALL HOLES MAY NOT BE REQUIRED. REFER TO SHEETS 1-3 FOR LOADED TERMINAL POSITIONS. REFER TO TERMINAL POSITIONS SPECIFIED ON EACH PCB LAYOUT TO DETERMINE WHICH HOLES ARE NEEDED.

SEE SHEET 1 EC NO: UCP2010-1255 DRWN: JMENDOZA 2009/11/17 CHKD: 2009/11/23 APPR: JBINGHAM 2009/11/23	QUALITY SYMBOLS ▽ - 0 ∇ - 0	GENERAL TOLERANCES (UNLESS SPECIFIED)		SCALE 4:1	DESIGN UNITS METRIC	THIRD ANGLE PROJECTION	REVISE ON CAD ONLY	
		DIMENSION STYLE MM ONLY	TITLE SALES DRAWING FOR VERTICAL GANGED RF CONNECTOR, LONG TAILS		MOLEX MOLEX INCORPORATED			
		DRAFT WHERE APPLICABLE MUST REMAIN WITHIN DIMENSIONS		CHECKED BY JBINGHAM	DATE 2009/11/23	MATERIAL NO. SEE CHARTS	DOCUMENT NO. SD-74712-003	SHEET NO. 4 OF 5
		THIS DRAWING CONTAINS INFORMATION THAT IS PROPRIETARY TO MOLEX INCORPORATED AND SHOULD NOT BE USED WITHOUT WRITTEN PERMISSION						



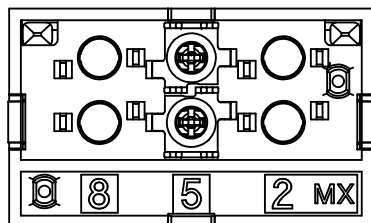
6 POSITION CONNECTOR			
MATERIAL NUMBER	POSITION OF LOADED TERMINAL(S)	OPTIONAL PACKAGING HEADER	PACKAGING SPECIFICATION
74712-1008	2, 8	NO	PK-74712-101
74712-1009	5	NO	

- NOTES:
- MATERIAL:
 - HOUSING: GLASS FILLED THERMO PLASTIC, 94V-0
 - INSULATOR: GLASS FILLED THERMO PLASTIC, 94V-0
 - TERMINALS AND GROUND: TIN BRASS
 - OUTER GROUND CONTACT: PHOSPHOR BRONZE
 - PLATING:
 - TERMINALS:
 - SELECTIVE 0.76 MICRONS MIN. GOLD IN CONTACT AREA
 - SELECTIVE 0.88 MICRONS MIN. TIN BOTH OVER
 - 1.27 MICRONS MIN. NICKEL UNDERPLATE
 - GROUNDS:
 - 0.88 MICRONS MIN. TIN OVERALL OVER
 - 1.27 MICRONS MIN. NICKEL UNDERPLATE
 - OUTER GROUND CONTACT:
 - 0.76 MICRONS MIN. GOLD OVERALL OVER
 - 1.27 MICRONS MIN. NICKEL UNDERPLATE
 - REFER TO PRODUCT SPEC.: PS-74854-001 FOR ELECTRICAL, MECHANICAL AND ENVIRONMENTAL REQUIREMENTS.
 - REFER TO PACKAGING SPEC STATED IN CHARTS FOR DETAILS OF THE PACKAGING REQUIREMENTS.
 - DATE CODE MARKING TO BE LOCATED ANYWHERE ON PLASTIC HOUSING. FIRST TWO DIGITS = WEEK NUMBER. LAST TWO DIGITS = YEAR.
 - THIS PART CONFORMS TO CLASS B REQUIREMENTS OF MOLEX CONNECTOR SPECIFICATION PS-45499-002.



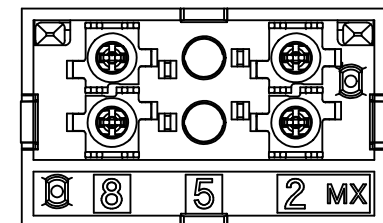
6 POS. CONNECTOR SHOWN

MATERIAL NUMBER: 74712-1009

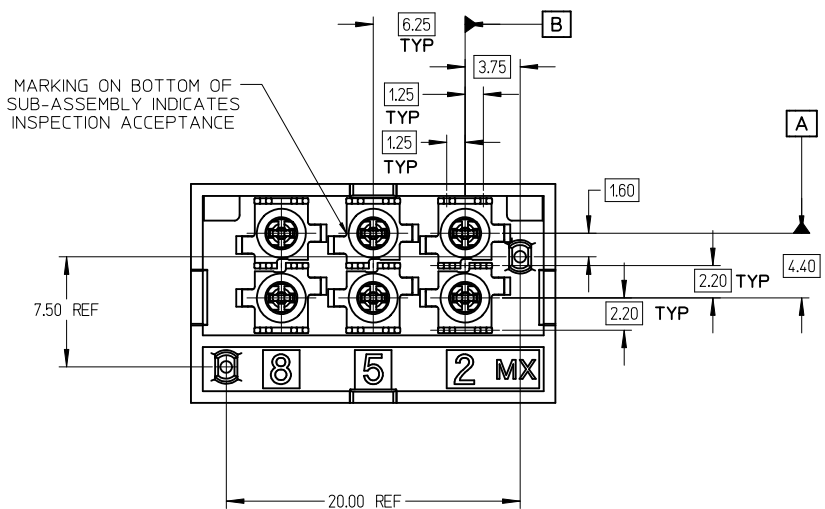


TERMINAL POSITION LOADED: 5

MATERIAL NUMBER: 74712-1008



TERMINAL POSITIONS LOADED: 2, 8



SEE SHEET 1 EC NO: UCP2010-1255 DRAWN: J MENDOZA CHKD: 2009/11/23 APPR: J BINGHAM 2009/11/23	QUALITY SYMBOLS	GENERAL TOLERANCES (UNLESS SPECIFIED)	DIMENSION STYLE	SCALE	DESIGN UNITS	THIRD ANGLE PROJECTION
	$\nabla=0$ $\nabla=0$	mm INCH 4 PLACES ± --- ± --- 3 PLACES ± --- ± --- 2 PLACES ± 0.13 ± --- 1 PLACE ± 0.25 ± --- ANGULAR ± 2°	MM ONLY	4:1	METRIC	
	DESCRIPTION	DRAFT WHERE APPLICABLE MUST REMAIN WITHIN DIMENSIONS	DRAWN BY DATE SREED 2006/06/06 CHECKED BY DATE J BINGHAM 2006/06/06 APPROVED BY DATE J BINGHAM 2009/11/23	TITLE SALES DRAWING FOR VERTICAL GANGED RF CONNECTOR, LONG TAILS		MOLEX INCORPORATED
	REV	SIZE	MATERIAL NO. SD-74712-003	DOCUMENT NO.	SHEET NO.	