

PLEASE CHECK WWW.MOLEX.COM FOR LATEST PART INFORMATION

Part Number: [0747121003](#)
Status: **Active**
Overview: [ganged_rf](#)
Description: 6.25mm (.246") Pitch Ganged RF Header, Vertical, 2 Circuits

Documents:

[Drawing \(PDF\)](#) [Product Specification PS-74854-001 \(PDF\)](#)
[Packaging Specification \(PDF\)](#) [RoHS Certificate of Compliance \(PDF\)](#)

Agency Certification

CSA LR19980
 UL E107635

General

Product Family Backplane Connectors
 Series [74712](#)
 Application Backplane
 Comments Port Number 2 Loaded
 Component Type PCB Header
 Overview [ganged_rf](#)
 Product Name Ganged RF
 Style N/A

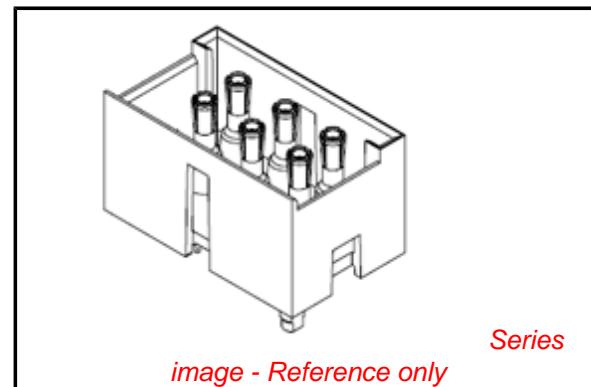
Physical

Circuits (Loaded) 2
 Circuits (maximum) 6
 Circuits Detail 2
 Color - Resin Black, Natural
 Durability (mating cycles max) 500
 First Mate / Last Break No
 Flammability 94V-0
 Guide to Mating Part No
 Keying to Mating Part None
 Material - Metal Copper
 Material - Resin High Temperature Thermoplastic, Polyester
 Number of Columns 3
 Number of Pairs N/A
 Number of Rows 2
 Orientation Vertical
 PCB Retention None
 PCB Thickness Recommended (in) 0.125 In
 PCB Thickness Recommended (mm) 3.20 mm
 Packaging Type Tray
 Pitch - Mating Interface (in) 0.246 In
 Pitch - Mating Interface (mm) 6.25 mm
 Polarized to PCB Yes
 Surface Mount Compatible (SMC) Yes
 Temperature Range - Operating -40°C to +85°C
 Termination Interface: Style Through Hole - Compliant Pin

Electrical

Current - Maximum per Contact 1A
 Data Rate 3.0 Gbps
 Voltage - Maximum 50V AC

Material Info



EU RoHS

RoHS Compliant by Exemption
REACH SVHC
 Not Reviewed
Halogen-Free Status
Not Reviewed

China RoHS



Need more information on product environmental compliance?

Email productcompliance@molex.com
 For a multiple part number RoHS Certificate of Compliance, [click here](#)

Please visit the [Contact Us](#) section for any non-product compliance questions.

Search Parts in this Series

[74712Series](#)

Mates With

[74642 Ganged RF Receptacle](#)

Reference - Drawing Numbers

Packaging Specification

Product Specification

Sales Drawing

PK-74712-101

PS-74854-001

SD-74712-003

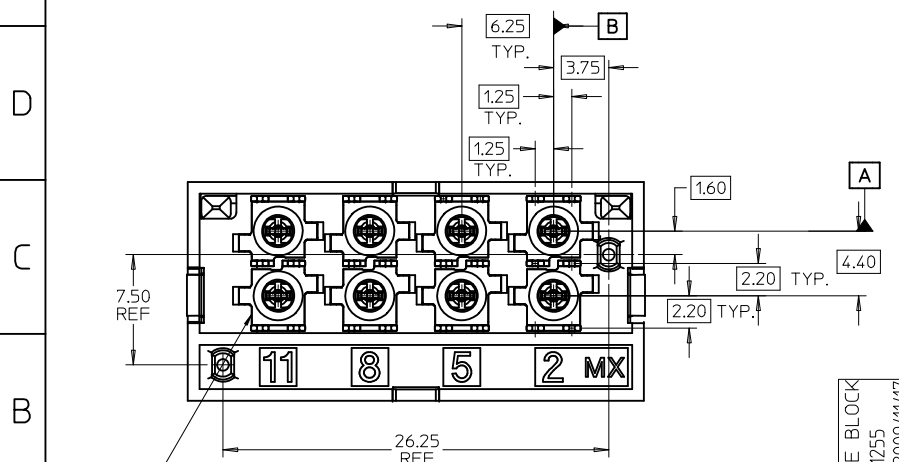
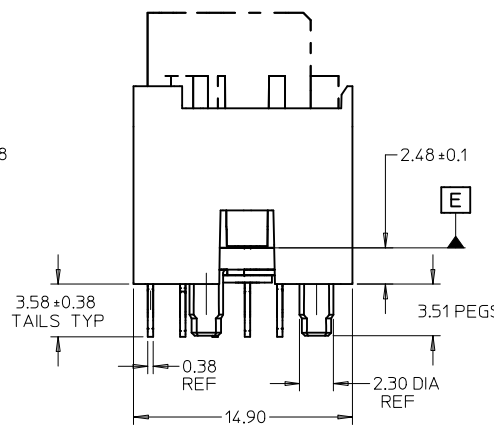
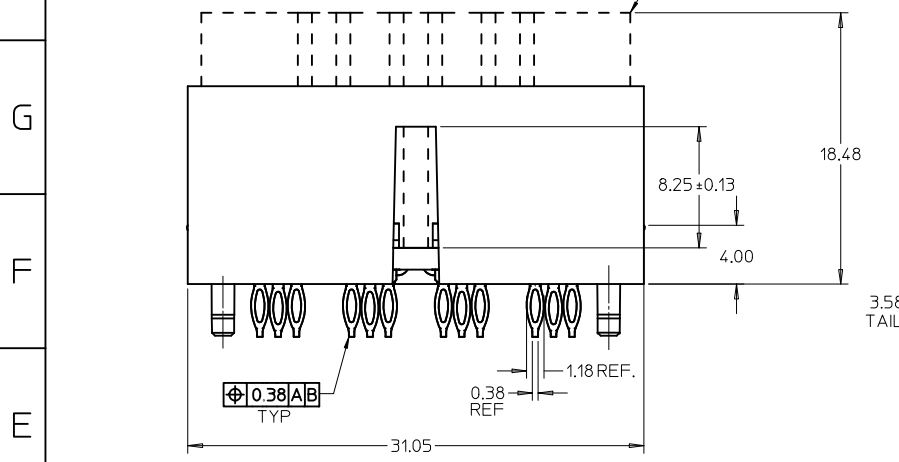
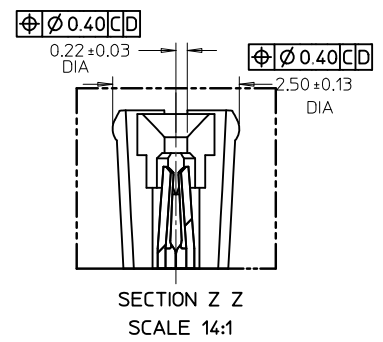
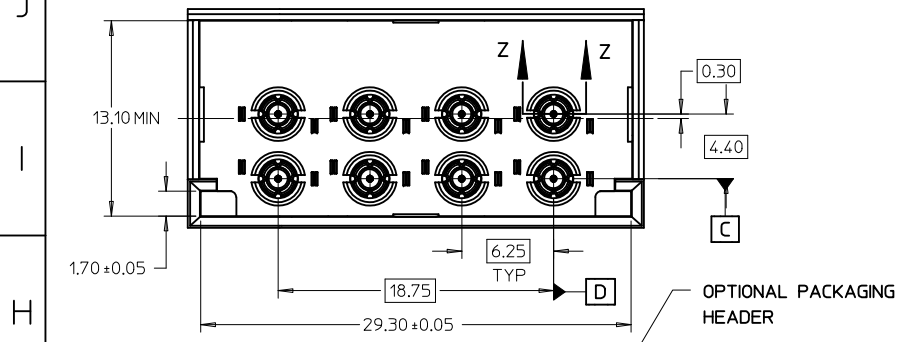
This document was generated on 05/15/2010

PLEASE CHECK WWW.MOLEX.COM FOR LATEST PART INFORMATION

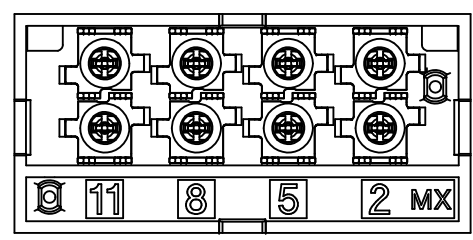
MATERIAL NO.	TERMINAL LOADING BY POSITION	74712 PACKAGING
74712-0001	2, 5, 8, 11	PK-74712-001
74712-0002	2	PK-74712-001
74712-0003	2, 5, 8, 11	PK-74712-002

NOTES:

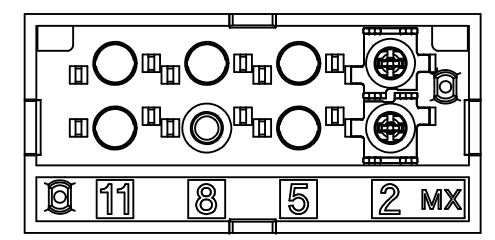
- MATERIAL:
 - HOUSING: GLASS FILLED THERMO PLASTIC, 94V-0
 - INSULATOR: GLASS FILLED THERMO PLASTIC, 94V-0
 - PACKAGING HEADER: GLASS FILLED THERMO PLASTIC, 94V-0
 - TERMINALS AND GROUND: TIN BRASS
 - OUTER GROUND CONTACT: PHOSPHOR BRONZE
- PLATING:
 - TERMINALS:
 - SELECTIVE 0.76 MICRONS MIN. GOLD IN CONTACT AREA
 - SELECTIVE 0.88 MICRONS MIN. TIN BOTH OVER
 - 1.27 MICRONS MIN. NICKEL UNDERPLATE
 - GROUNDS:
 - 0.88 MICRONS MIN. TIN OVERALL OVER
 - 1.27 MICRONS MIN. NICKEL UNDERPLATE
 - OUTER GROUND CONTACT:
 - 0.76 MICRONS MIN. GOLD OVERALL OVER
 - 1.27 MICRONS MIN. NICKEL UNDERPLATE
- REFER TO PRODUCT SPEC.: PS-74854-001 FOR ELECTRICAL, MECHANICAL AND ENVIRONMENTAL REQUIREMENTS.
- REFER TO PACKAGING SPEC STATED IN CHARTS FOR DETAILS OF THE PACKAGING REQUIREMENTS.
- DATE CODE MARKING TO BE LOCATED ANYWHERE ON PLASTIC HOUSING. FIRST TWO DIGITS = WEEK NUMBER. LAST TWO DIGITS = YEAR.
- THIS PART CONFORMS TO CLASS B REQUIREMENTS OF MOLEX COSMETIC SPECIFICATION PS-45499-002.



CONTACT LOADING OPTIONS FOR 8 POS CONNECTORS



MAT'L NO. 747120001/0003
POSITION 2,5,8 & 11 LOADED

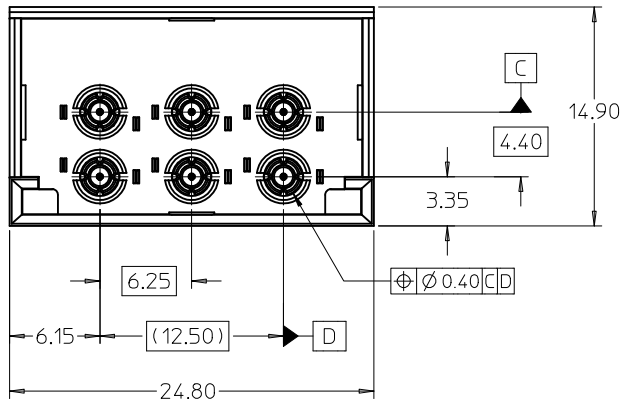


MAT'L NO. 747120002
POSITION 2 LOADED

8 POS. CONNECTOR SHOWN

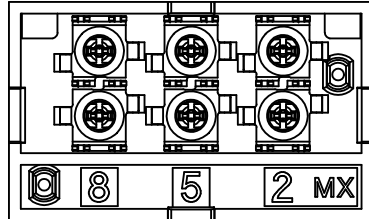
MARKING ON BOTTOM OF SUB-ASSEMBLY INDICATES INSPECTION ACCEPTANCE

ADD TOLERANCE BLOCK EC NO: UCP2010-1255 DRWN: JENDOZA 2009/11/17 CHKD: 2009/11/23 APPR: BINGHAM 2009/11/23	QUALITY SYMBOLS	GENERAL TOLERANCES (UNLESS SPECIFIED)	SCALE 4:1	DESIGN UNITS METRIC	THIRD ANGLE PROJECTION	REVISE ON CAD ONLY	
	▽ 0 ∇ 0	4 PLACES ± --- ± --- 3 PLACES ± --- ± --- 2 PLACES ± 0.13 ± --- 1 PLACE ± 0.25 ± ---	mm	INCH	DIMENSION STYLE		TITLE
			MM ONLY		DRAWN BY DATE		
			DRAFT WHERE APPLICABLE		SREED 2006/06/06		
REV E1	MUST REMAIN WITHIN DIMENSIONS	ANGULAR ± 2 °	APPROVED BY DATE	MOLEX INCORPORATED		SEE CHART SD-74712-003	
			JBINGHAM 2009/11/23	MATERIAL NO. DOCUMENT NO. SHEET NO.		1 OF 5	
THIS DRAWING CONTAINS INFORMATION THAT IS PROPRIETARY TO MOLEX INCORPORATED AND SHOULD NOT BE USED WITHOUT WRITTEN PERMISSION							



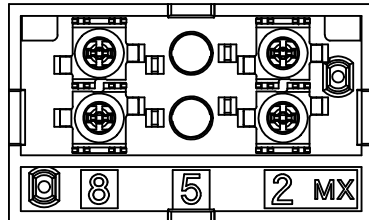
6 POSITION CONNECTOR			
MATERIAL NUMBER	POSITION OF LOADED TERMINAL(S)	OPTIONAL PACKAGING HEADER	PACKAGING SPECIFICATION
74712-1001	2, 5, 8	YES	PK-74712-101
74712-1002	2, 8	YES	
74712-1003	2	YES	
74712-1004	8	YES	PK-74712-102
74712-1007	5	YES	
74712-1005	2, 5, 8	YES	
74712-1006	2	YES	

MATERIAL NUMBER: 74712-1001/-1005



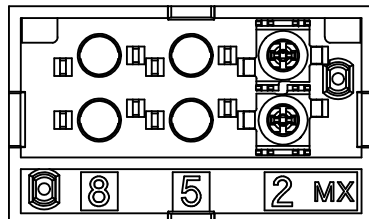
TERMINAL POSITIONS LOADED: 2, 5, 8

MATERIAL NUMBER: 74712-1002



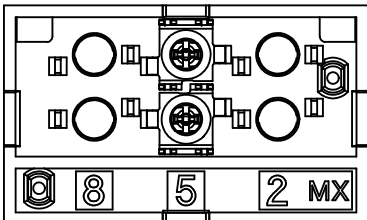
TERMINAL POSITIONS LOADED: 2, 8

MATERIAL NUMBER: 74712-1003/-1006



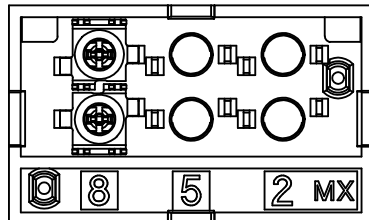
TERMINAL POSITION LOADED: 2

MATERIAL NUMBER: 74712-1007

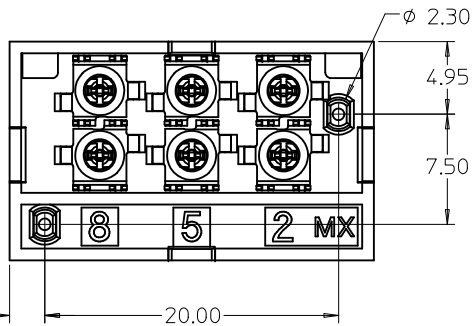
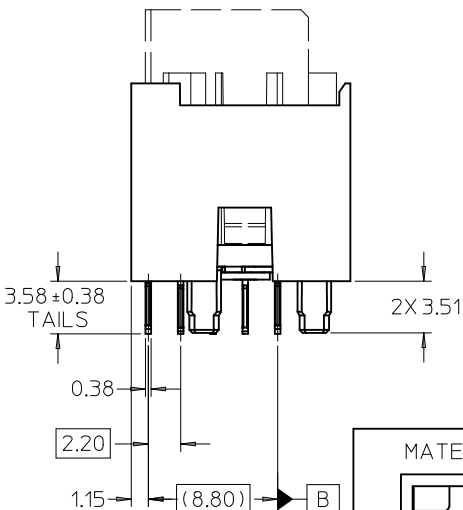
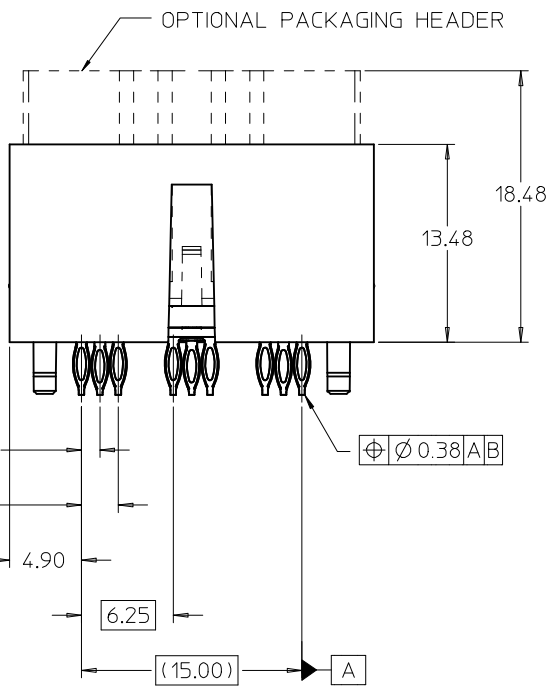


TERMINAL POSITION LOADED: 5

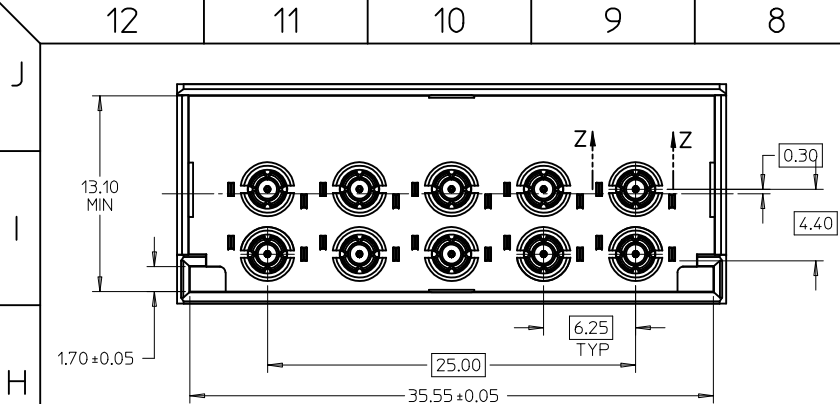
MATERIAL NUMBER: 74712-1004



TERMINAL POSITION LOADED: 8

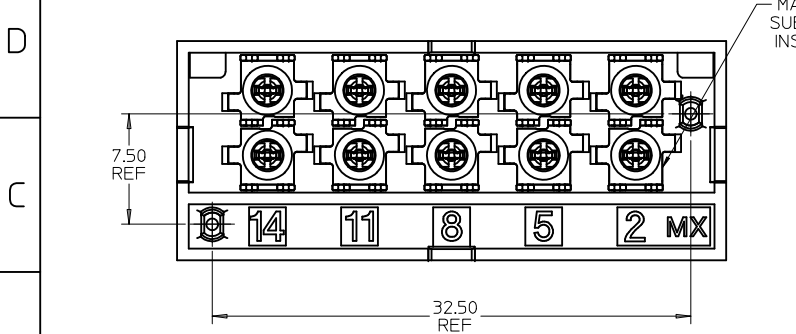
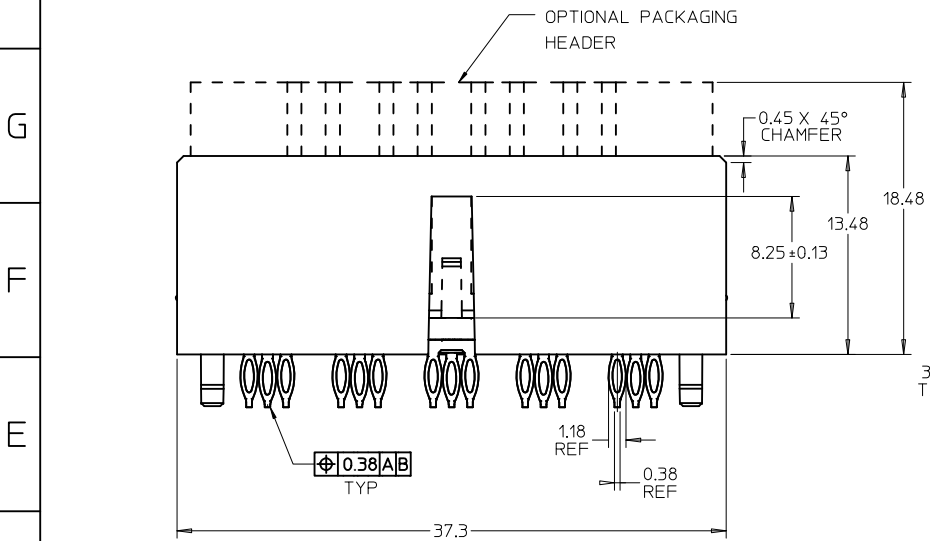


SEE SHEET 1 EC NO: UCP2010-1255 DRWN: MENDOZA CHKD: 2009/11/23 APPR: JBINGHAM 2009/11/23	QUALITY SYMBOLS ▽=0 ▽=0	GENERAL TOLERANCES (UNLESS SPECIFIED) <table border="1"> <tr> <th></th> <th>mm</th> <th>INCH</th> </tr> <tr> <td>4 PLACES</td> <td>± 0.15</td> <td>± 0.006</td> </tr> <tr> <td>3 PLACES</td> <td>± 0.20</td> <td>± 0.008</td> </tr> <tr> <td>2 PLACES</td> <td>± 0.25</td> <td>± 0.010</td> </tr> <tr> <td>1 PLACE</td> <td>± 0.30</td> <td>± 0.012</td> </tr> </table>		mm	INCH	4 PLACES	± 0.15	± 0.006	3 PLACES	± 0.20	± 0.008	2 PLACES	± 0.25	± 0.010	1 PLACE	± 0.30	± 0.012	DIMENSION STYLE MM ONLY	SCALE 4:1	DESIGN UNITS METRIC	THIRD ANGLE PROJECTION
		mm	INCH																		
	4 PLACES	± 0.15	± 0.006																		
	3 PLACES	± 0.20	± 0.008																		
2 PLACES	± 0.25	± 0.010																			
1 PLACE	± 0.30	± 0.012																			
DRAWN BY SREED DATE 2006/06/06	CHECKED BY JBINGHAM DATE 2006/06/06	APPROVED BY JBINGHAM DATE 2009/11/23	MATERIAL NO. SEE CHART	TITLE SALES DRAWING FOR VERTICAL GANGED RF CONNECTOR, LONG TAILS	MOLEX INCORPORATED	SHEET NO. 2 OF 5															
DRAFT WHERE APPLICABLE MUST REMAIN WITHIN DIMENSIONS	THIS DRAWING CONTAINS INFORMATION THAT IS PROPRIETARY TO MOLEX INCORPORATED AND SHOULD NOT BE USED WITHOUT WRITTEN PERMISSION	DOCUMENT NO. SD-74712-003																			



NOTE: REFER TO SHEET 1 FOR ALL DIMENSIONS.
SECTION VIEW AND NOTES NOT SHOWN.

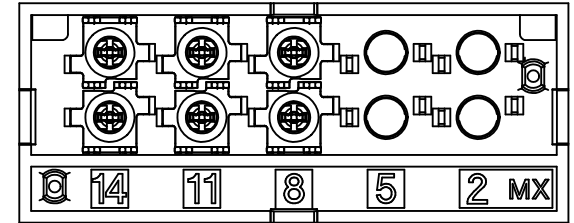
MATERIAL NO.	TERMINAL LOADING BY POSITION	PACKAGING
74712-3001	2, 5, 8, 11, 14	PK-74712-210
74712-3002	8, 11, 14	PK-74712-210



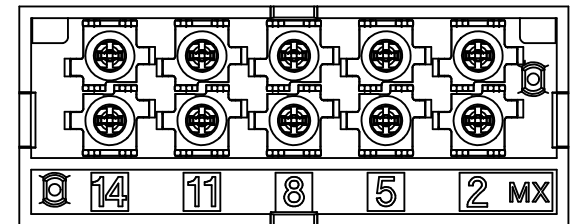
MARKING ON BOTTOM OF SUB-ASSEMBLY INDICATES INSPECTION ACCEPTANCE

10 POSITION CONNECTOR SHOWN

CONTACT LOADING OPTIONS FOR 10 POSITION CONNECTORS

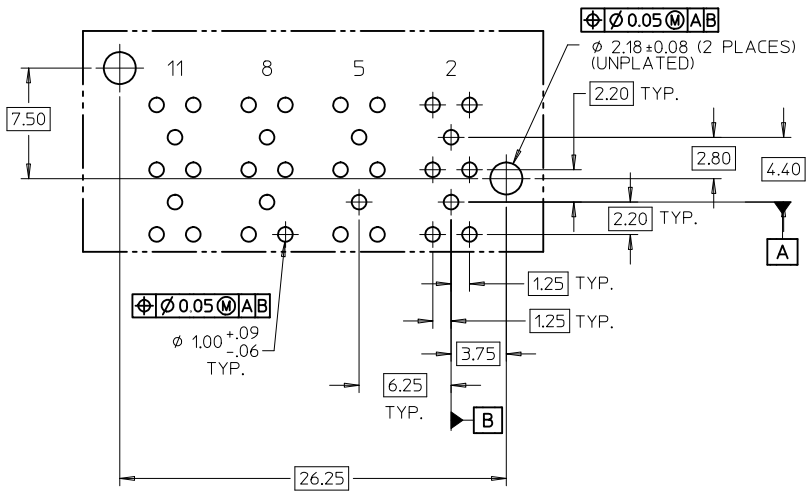


MAT'L NO. 747123002
POSITIONS 8,11,14 LOADED

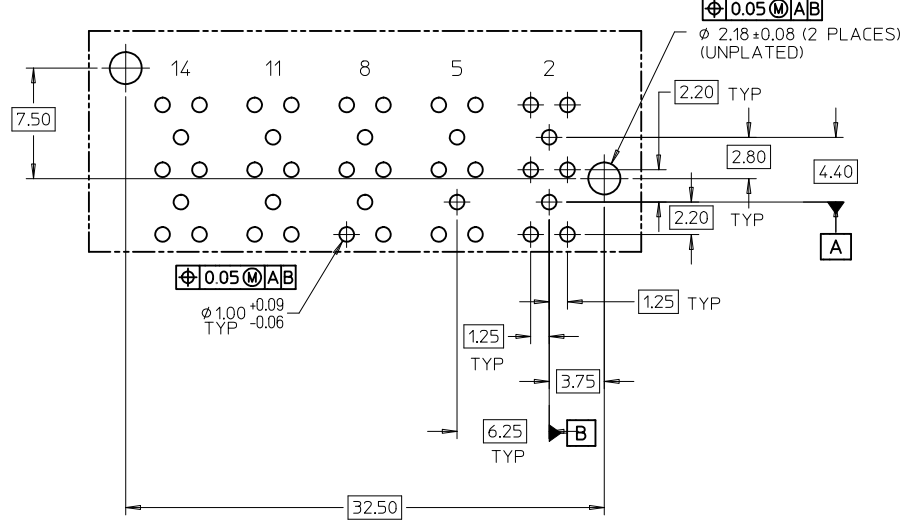


MAT'L NO. 747123001
POSITIONS 2,5,8,11,14 LOADED

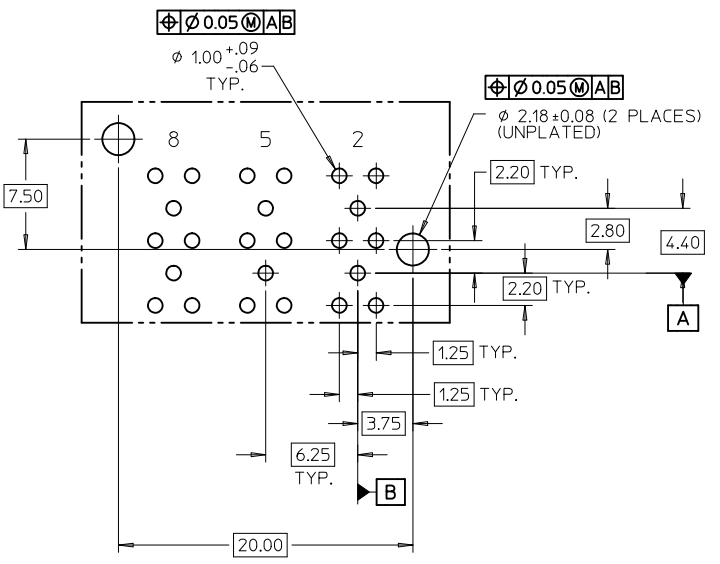
SEE SHEET 1 EC NO: UCP2010-1255 DRWN: JMENDOZA 2009/11/17 CHKD: 2009/11/23 APPR: JBINGHAM 2009/11/23	QUALITY SYMBOLS	GENERAL TOLERANCES (UNLESS SPECIFIED)		SCALE 4:1	DESIGN UNITS METRIC	THIRD ANGLE PROJECTION	REVISE ON CAD ONLY	
	▽ - 0 ∇ - 0		mm	INCH	DIMENSION STYLE MM ONLY		TITLE	
		4 PLACES	±---	±---	DRAWN BY SREED	DATE 2006/06/06	SALES DRAWING FOR VERTICAL GANGED RF CONNECTOR, LONG TAILS	
		3 PLACES	±---	±---	CHECKED BY JBINGHAM	DATE 2006/06/06		
2 PLACES	±0.13	±---	APPROVED BY JBINGHAM	DATE 2009/11/23	MOLEX MOLEX INCORPORATED			
	1 PLACE	±0.25	±---	DRAFT WHERE APPLICABLE MUST REMAIN WITHIN DIMENSIONS		MATERIAL NO. SEE CHART	DOCUMENT NO. SD-74712-003	
	ANGULAR ± 2 °		THIS DRAWING CONTAINS INFORMATION THAT IS PROPRIETARY TO MOLEX INCORPORATED AND SHOULD NOT BE USED WITHOUT WRITTEN PERMISSION		SHEET NO. 3 OF 5			



RECOMMENDED PCB LAYOUT
FOR THE 8 POSITION CONNECTOR
COMPONENT SIDE
MAX. BOARD THICKNESS: 4.50



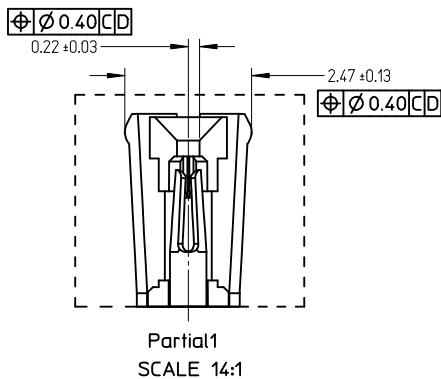
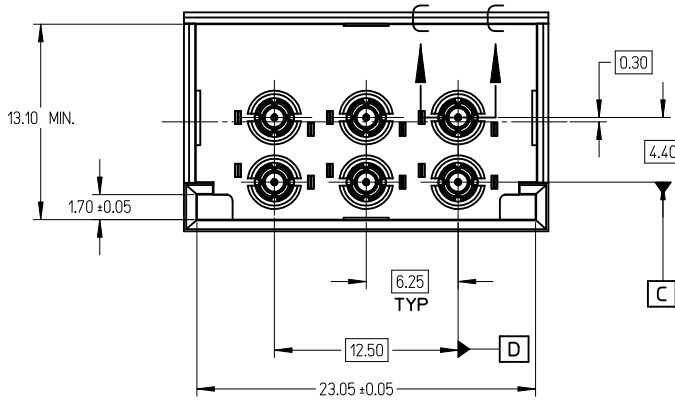
RECOMMENDED PCB LAYOUT
FOR THE 10 POSITION CONNECTOR
COMPONENT SIDE
MAX. BOARD THICKNESS: 4.50



RECOMMENDED PCB LAYOUT
FOR THE 6 POSITION CONNECTOR
COMPONENT SIDE
MAX. BOARD THICKNESS: 4.50

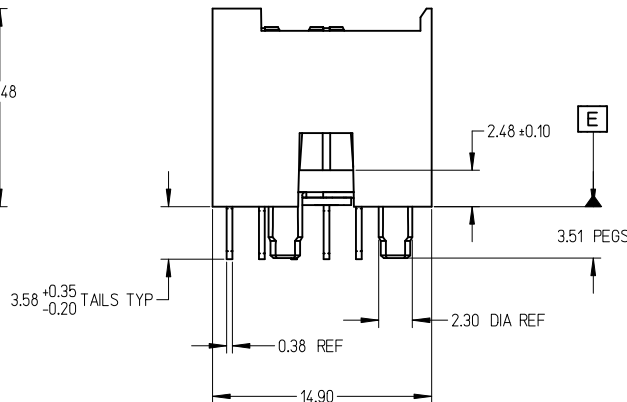
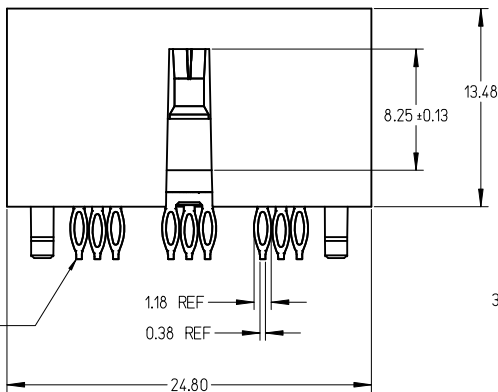
NOTE: DEPENDING ON CONNECTOR PART NUMBER, ALL HOLES MAY NOT BE REQUIRED. REFER TO SHEETS 1-3 FOR LOADED TERMINAL POSITIONS. REFER TO TERMINAL POSITIONS SPECIFIED ON EACH PCB LAYOUT TO DETERMINE WHICH HOLES ARE NEEDED.

SEE SHEET 1 EC NO: UCP2010-1255 DRWN: JMENDOZA 2009/11/17 CHKD: 2009/11/23 APPR: JBINGHAM 2009/11/23	QUALITY SYMBOLS	GENERAL TOLERANCES (UNLESS SPECIFIED)		SCALE 4:1	DESIGN UNITS METRIC	THIRD ANGLE PROJECTION	REVISE ON CAD ONLY
	▼ - 0 ∇ - 0		mm	INCH	DIMENSION STYLE MM ONLY		TITLE SALES DRAWING FOR VERTICAL GANGED RF CONNECTOR, LONG TAILS MOLEX MOLEX INCORPORATED MATERIAL NO. SEE CHARTS SD-74712-003 DOCUMENT NO. SD-74712-003 SHEET NO. 4 OF 5
		4 PLACES	±---	±---	DRAWN BY SREED	DATE 2006/06/06	
		3 PLACES	±---	±---	CHECKED BY JBINGHAM	DATE 2006/06/06	
2 PLACES	±0.13	±---	APPROVED BY JBINGHAM	DATE 2009/11/23			
	1 PLACE	±0.25	±---	DRAFT WHERE APPLICABLE MUST REMAIN WITHIN DIMENSIONS		THIS DRAWING CONTAINS INFORMATION THAT IS PROPRIETARY TO MOLEX INCORPORATED AND SHOULD NOT BE USED WITHOUT WRITTEN PERMISSION	

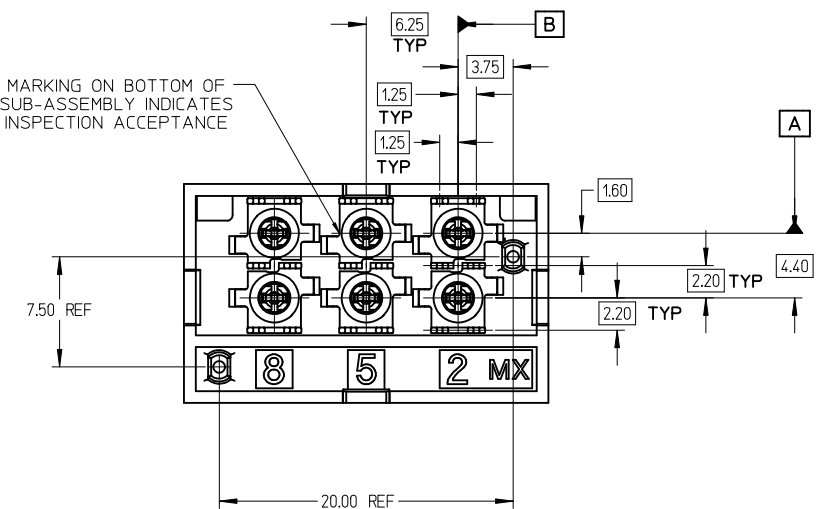
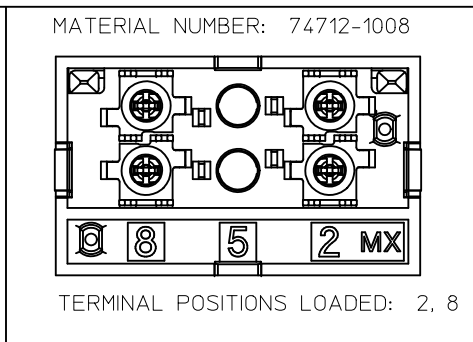
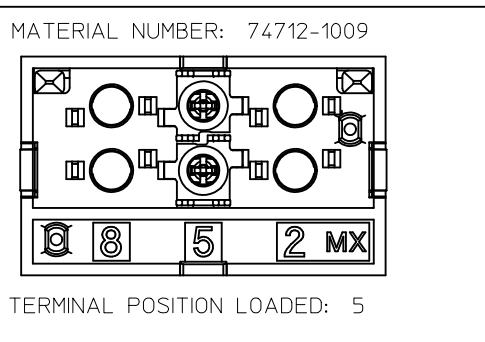


6 POSITION CONNECTOR			
MATERIAL NUMBER	POSITION OF LOADED TERMINAL(S)	OPTIONAL PACKAGING HEADER	PACKAGING SPECIFICATION
74712-1008	2, 8	NO	PK-74712-101
74712-1009	5	NO	

- NOTES:
- MATERIAL:
 - HOUSING: GLASS FILLED THERMO PLASTIC, 94V-0
 - INSULATOR: GLASS FILLED THERMO PLASTIC, 94V-0
 - TERMINALS AND GROUND: TIN BRASS
 - OUTER GROUND CONTACT: PHOSPHOR BRONZE
 - PLATING:
 - TERMINALS:
 - SELECTIVE 0.76 MICRONS MIN. GOLD IN CONTACT AREA
 - SELECTIVE 0.88 MICRONS MIN. TIN BOTH OVER
 - 1.27 MICRONS MIN. NICKEL UNDERPLATE
 - GROUNDS:
 - 0.88 MICRONS MIN. TIN OVERALL OVER
 - 1.27 MICRONS MIN. NICKEL UNDERPLATE
 - OUTER GROUND CONTACT:
 - 0.76 MICRONS MIN. GOLD OVERALL OVER
 - 1.27 MICRONS MIN. NICKEL UNDERPLATE
 - REFER TO PRODUCT SPEC.: PS-74854-001 FOR ELECTRICAL, MECHANICAL AND ENVIRONMENTAL REQUIREMENTS.
 - REFER TO PACKAGING SPEC STATED IN CHARTS FOR DETAILS OF THE PACKAGING REQUIREMENTS.
 - DATE CODE MARKING TO BE LOCATED ANYWHERE ON PLASTIC HOUSING. FIRST TWO DIGITS = WEEK NUMBER. LAST TWO DIGITS = YEAR.
 - THIS PART CONFORMS TO CLASS B REQUIREMENTS OF MOLEX CONNECTOR SPECIFICATION PS-45499-002.



6 POS. CONNECTOR SHOWN



SEE SHEET 1 EC NO: UCP2010-1255 DRAWN: J MENDOZA CHKD: 2009/11/23 APPR: J BINGHAM 2009/11/23	QUALITY SYMBOLS	GENERAL TOLERANCES (UNLESS SPECIFIED)	DIMENSION STYLE	SCALE	DESIGN UNITS	THIRD ANGLE PROJECTION
	$\nabla=0$ $\nabla=0$	mm INCH 4 PLACES ± --- ± --- 3 PLACES ± --- ± --- 2 PLACES ± 0.13 ± --- 1 PLACE ± 0.25 ± --- ANGULAR ± 2°	MM ONLY	4:1	METRIC	
	DESCRIPTION	DRAFT WHERE APPLICABLE MUST REMAIN WITHIN DIMENSIONS	DRAWN BY DATE SREED 2006/06/06 CHECKED BY DATE J BINGHAM 2006/06/06 APPROVED BY DATE J BINGHAM 2009/11/23	TITLE SALES DRAWING FOR VERTICAL GANGED RF CONNECTOR, LONG TAILS		MOLEX INCORPORATED
	REV	SIZE	MATERIAL NO. SD-74712-003	DOCUMENT NO.	SHEET NO. 5 OF 5	

THIS DRAWING CONTAINS INFORMATION THAT IS PROPRIETARY TO MOLEX INCORPORATED AND SHOULD NOT BE USED WITHOUT WRITTEN PERMISSION