

AC plate-mounted axials

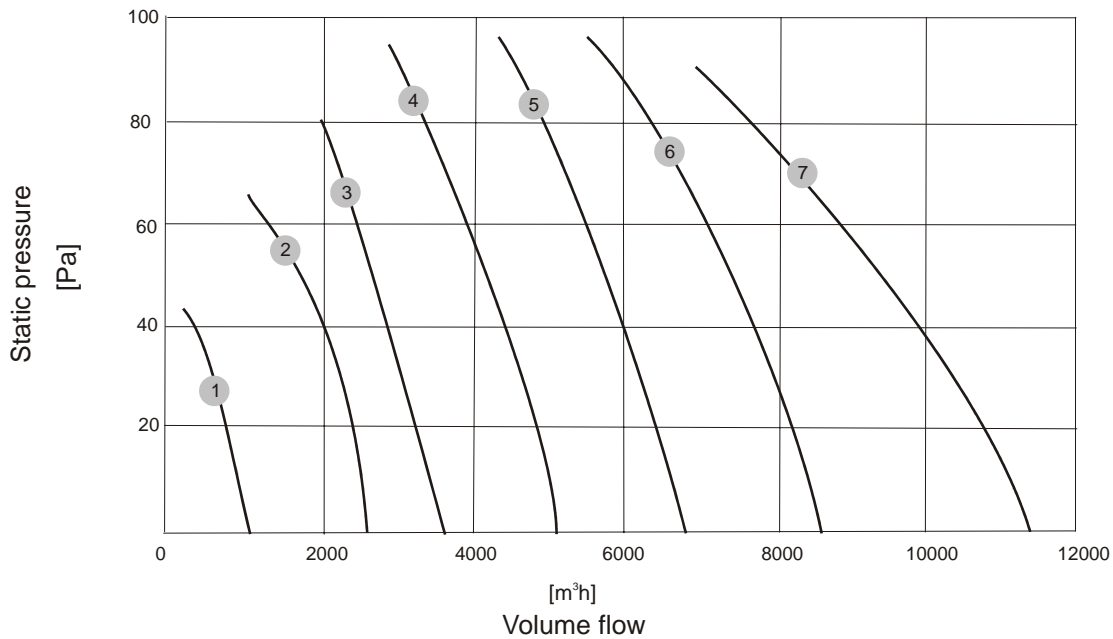
size range Ø250-630mm



- Pressed steel blades with galvanised steel wallplate
- Maintenance free, sealed-for-life bearings
- Thermal protection (TK) lead-out
- Corrosion resistant black coating
- IP54 terminal box
- 100% speed controllable motors
- Inlet guard

Dimensions		Nominal voltage	Frequency	Airflow	Speed/rpm	Max Power Input	Max Current Draw	Sound pressure @ 7m	Perm amb. temp.	Mass	Insulation class	IP rating	
Order code	Curve	VAC	Hz	m ³ /h	min ⁻¹	W	A	dB(A)	°C	kg			
W4E250-DI02-08	M4E068-BF	1	230	50	1010	1400	47	0.21	37	45	3.4	B	44
W4E315-DP18-38	M4E068-DF	2	230	50	2440	1410	120	0.56	42	55	5.5	B	44
W4E350-DP06-39	M6E068-EC	3	230	50	3250	1365	180	0.78	47	60	6.8	F	44
W4E400-DS02-38	M4E074-GA	4	230	50	5000	1400	300	1.35	52	60	7.3	F	44
W4E450-DT05-15	M4E094-HA	5	230	50	6640	1400	470	2.2	51	70	9.6	F	54
W4E500-DZ09-20	M4E094-HA	6	230	50	8322	1347	953	4.8	55	60	13.5	F	54
W6E630-DE01-20	M6E110-GF	7	230	50	11220	870	560	2.5	52	60	20.5	F	54

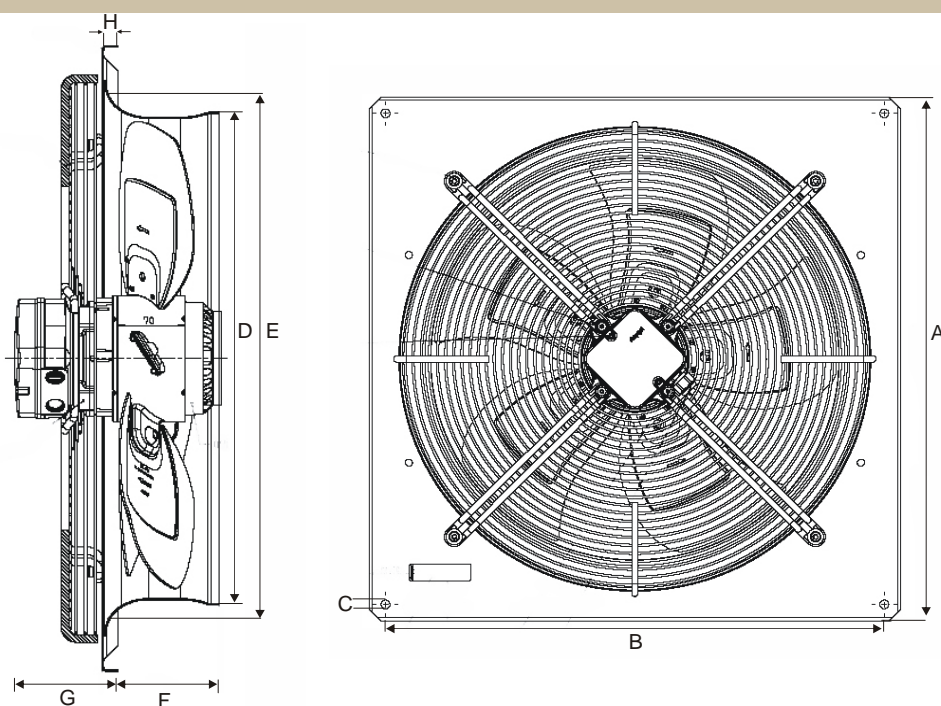
Subject to alterations



Controller options**Dimensions**

DOL	Elec	Trans	A	B	C	D	E	F	G	H
-*	REE10	TRE1.5	370	320	7	254	265	49	73	6
TFE2	REE10	TRE1.5	430	380	9	345	355	62	78	11
TFE2	REE10	TRE1.5	485	435	9	388	400	68	79	16
TFE2	REE30	TRE1.5	540	490	9	417	425	86	79	16
TFE2	REE30	TRE4	576	535	11	465	480	86	81	16
TFE2	REE50	TRE7.5	656	615	11	515	535	102	95	16
TFE2	REE30	TRE4	805	750	11	653	696	130	60	20

* only suitable for line currents between 0.4-10amps



TRE and TRE..TK Series single-phase transformer controllers



General remarks: The TRE and TRE..TK series of transformer controllers for single phase AC fans and motors, provide energy saving speed control without the creation of additional motor noise which you get with most electronic controllers. Vacuum impregnation further reduces electrical noise from the transformers. Available for total load current of up to 7.5 Amps, a rotary switch selects one of 5 different voltages.

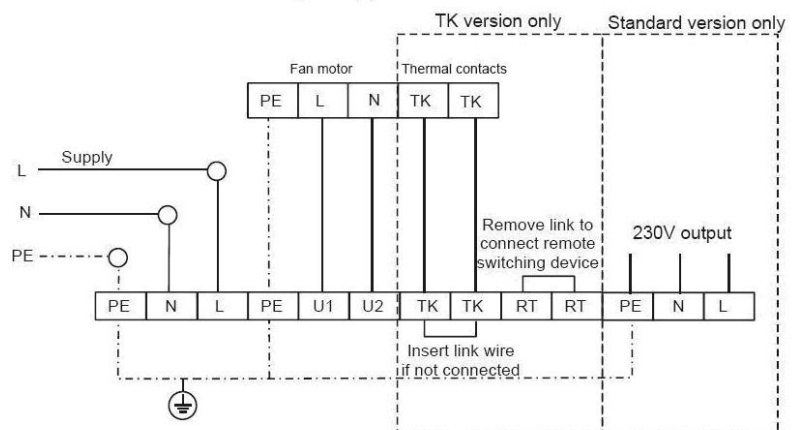
The standard product has a simple fan/motor connection without provision for thermal overload protection. Use of a separate motor protection device is recommended.

The TK version has connections for motor thermal overload protection. When connected, an overheat condition will cause the motor supply to trip off. It can only be restarted after the motor has cooled and either power disconnected from the controller or the selector switch cycled through the off setting.

Nominal data	Nominal voltage	Frequency	Max output	Thermal overload protection	Mass	Max. amb. temp	Protection rating	Width	Height	Depth	Mounting hole spacing	Mounting hole diameter
Type	V	Hz	A		kg	°C		mm	mm	mm	mm	mm
TRE2	230	50/60	2.0	No	3.5	40	IP54	200	150	150	144 x 98	5.5
TRE4	230	50/60	4.0	No	6.0	40	IP54	200	150	150	144 x 98	5.5
TRE7.5	230	50/60	7.5	No	7.5	40	IP54	200	150	150	144 x 98	5.5
TRE2TK	230	50/60	2.0	Yes	3.5	40	IP54	200	150	150	144 x 98	5.5
TRE4TK	230	50/60	4.0	Yes	6.0	40	IP54	200	150 <td 150	144 x 98	5.5	
TRE7.5TK	230	50/60	7.5	Yes	7.5	40	IP54	200	150	150	144 x 98	5.5

Subject to alterations Please contact us for higher rated controllers.

Wiring diagram



Specifications

- Output Voltage Steps: 105/130/145/160/230V
- Unregulated 230V switched output for dampers etc.
- Vacuum resin impregnated transformers
- Conforms to EN61558-1 and EN61558-2-13

TK Versions

- Motor protection by connection of motor thermal contacts
- Power on (Green) and Overheat (Red) indication lamps
- Remote switching through thermostat connection

Speed controllers - REE



- **General remarks:** These manual, single-phase electronic control devices provide a simple solution to speed controlling single or multiple fans, it has a manual dial, which can alter the fan speed from a minimum setting (factory set to approx 20%) to 100%.

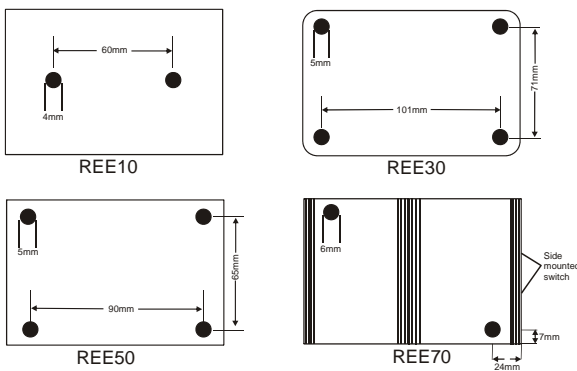
Features:

- 230V 50Hz single phase AC input
- Current rating options - 1, 3, 5 & 7 Amps
- On/Off switch
- Internal pre-set for minimum speed
- Two wire control - for simple connection
- Three wire control - lower motor running temperature (increased fan life) and improved speed adjustment response.

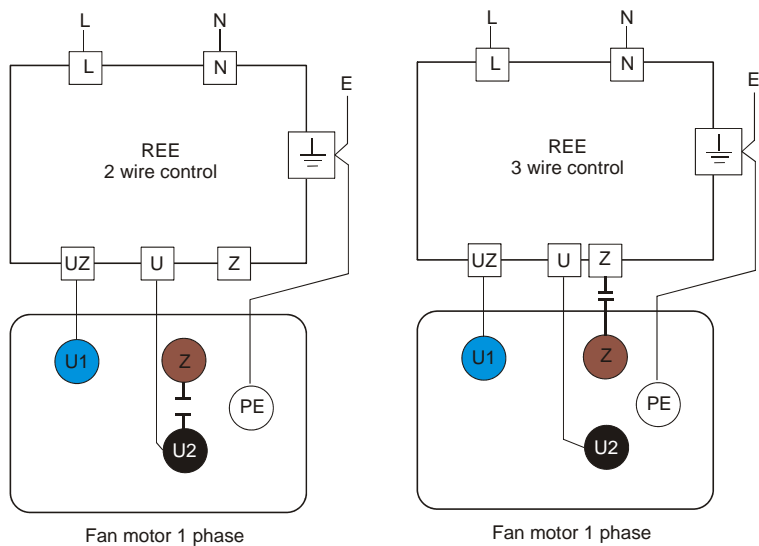
Nominal data	Nominal voltage	Frequency	Max. current rating	Max. amb. temp.
Type	VAC	Hz	A	°C
REE10	230	50	1	40
REE30	230	50	3	40
REE50	230	50	5	40
REE70	230	50	7	40

Subject to alterations

Rear mounting diagram



Connection diagram Line voltage 230V 50/60 Hz



Electromagnetic compatibility

These controllers comply with the relevant EC council Directives, EMC Directive 89/336/EEC and amendment 92/31/EEC. Applied Harmonised standards BS EN61000-6-3 and BS EN 61000-6-4.