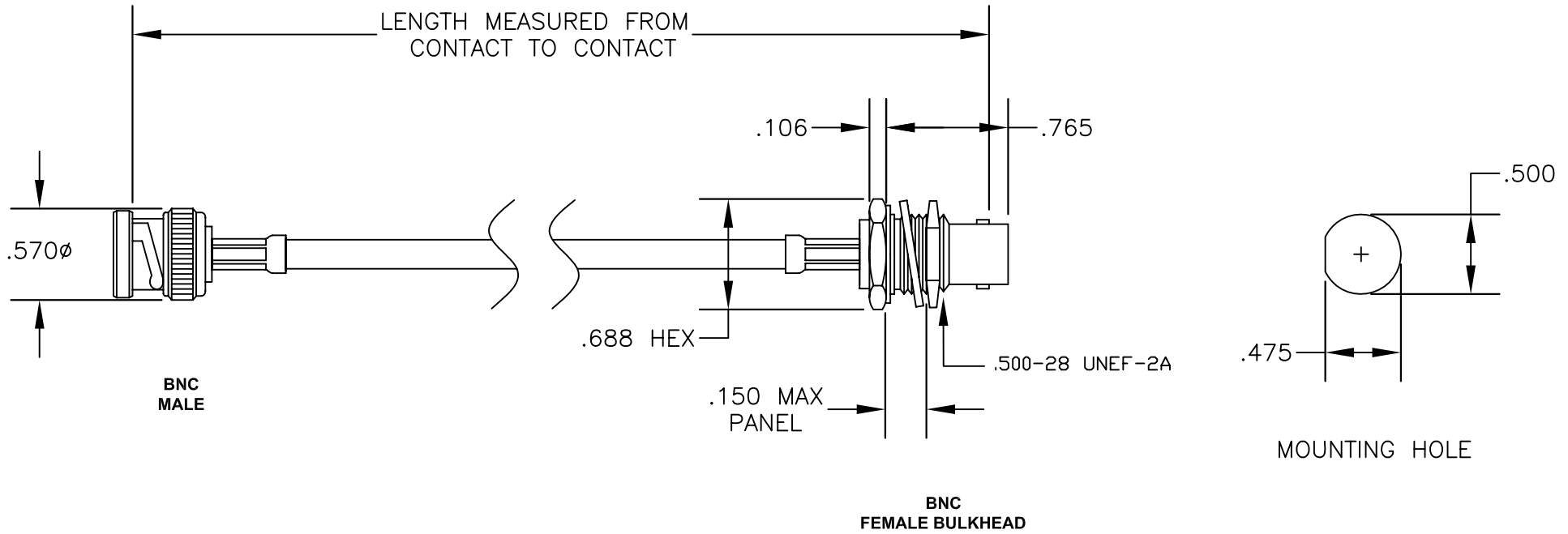


COMPONENTS	IMPEDANCE
BNC MALE	50 OHM
BNC FEMALE BULKHEAD	50 OHM
RG58C/U	50 OHM

Standard Lengths	
-12	12"
-24	24"
-36	36"
-48	48"
-60	60"
-XXX	Custom Length in inches



PASTERNACK ENTERPRISES, INC.
 P.O. BOX 16759, IRVINE, CA 92623
 PHONE (949) 261-1920 FAX (949) 261-7451
 WEB ADDRESS: www.pasternack.com
 E-MAIL ADDRESS: sales@pasternack.com
COAXIAL & FIBER OPTICS

DWG TITLE: **PE3649LF-XX** DES. CABLE ASSEMBLY, RG58C/U, BNC MALE TO BNC FEMALE BULKHEAD (LEAD FREE)

SIZE A: FSCM NO. 53919 CAD FILE: 042407 SCALE: N/A 127

- NOTES:
- UNLESS OTHERWISE SPECIFIED ALL DIMENSIONS ARE NOMINAL.
 - ALL SPECIFICATIONS ARE SUBJECT TO CHANGE WITHOUT NOTICE AT ANY TIME.
 - DIMENSIONS ARE IN INCHES.
 - LENGTH TOLERANCE IS $\pm 1.5\%$ OR $\pm 3/8"$, WHICHEVER IS GREATER.

