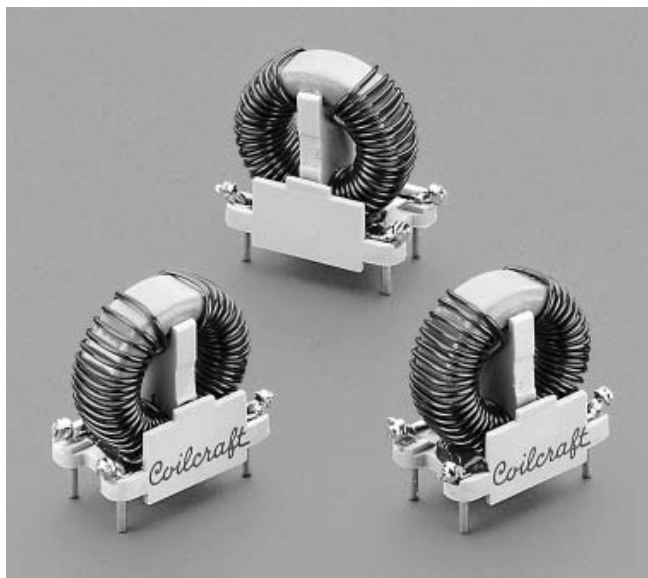


Common Mode Line Chokes

Standard Series High L Series



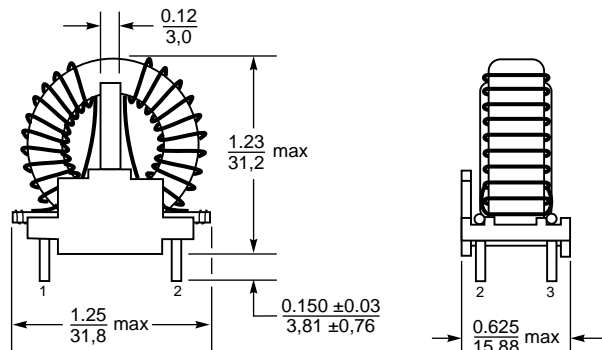
Coilcraft's Toroid Style common mode chokes are designed for optimum performance. Their single layer windings provide for the highest common mode impedance over the widest frequency range.

Spacers, specially designed by Coilcraft, provide 3 mm creepage and clearance spacings for compatibility with UL, CSA and IEC safety specifications.

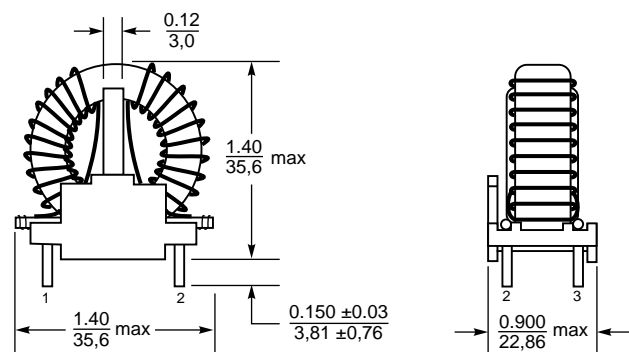
These common mode line chokes come in two series: Standard and High Inductance. Both are particularly suitable for switching power supplies operating in the 100-300 kHz range of switching frequencies.

Coilcraft **Designer's Kit P202** contains samples of eight standard EE and toroidal common mode line chokes. To order, please contact Coilcraft or purchase on-line at <http://order.coilcraft.com>.

Standard Series



High Inductance Series



Coilcraft[®]

Specifications subject to change without notice. Document 143-1 Revised 11/06/02

1102 Silver Lake Road Cary, Illinois 60013 Phone 847/639-6400 Fax 847/639-1469
E-mail info@coilcraft.com Web <http://www.coilcraft.com>

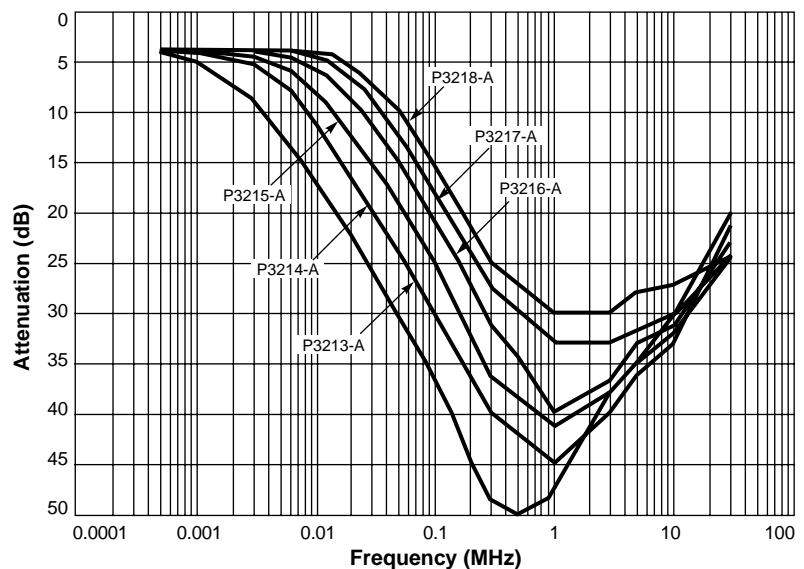
Standard Series

Part number	Inductance min	Current rating (Amps)	Leakage inductance max (μ H)	SRF typ	DCR max (Ohms)	Interwinding isolation (Volts rms)	Lead diameter nom
P3213-A	3.5 mH	1.3	62	500 kHz	0.150	1250	0.051/1,29
P3214-A	1.7	2.0	32	850	0.065	1250	0.051/1,29
P3215-A	1.0	3.2	22	1.25 MHz	0.036	1250	0.051/1,29
P3216-A	750 μ H	5.0	19	1.30	0.022	1250	0.051/1,29
P3217-A	425	8.1	10	1.75	0.012	1250	0.040/1,02
P3218-A	275	13.0	8	2.00	0.008	1250	0.051/1,29

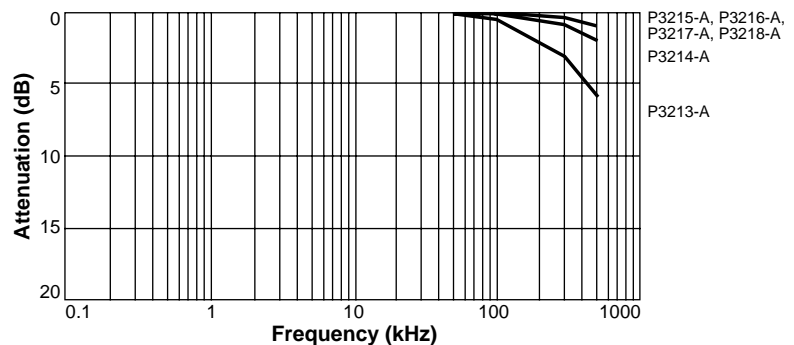
1. All parts have #16 AWG tinned copper wire leads except P3217-A, which has #18 AWG leads.
2. Operating temperature range -40°C to $+85^{\circ}\text{C}$.
3. Electrical specifications at 25°C .
4. Parts in bold type are included in Coilcraft Designer's Kit P202.

Shown here are typical common mode frequency plots of each part number. The plots indicate the relative performance of each part over the frequency range of most interest for designers of equipment that must meet FCC and VDE noise regulations. It is important to note that only a common mode signal will be attenuated as shown. Differential mode power such as 50/60 Hz power line currents or data signals will pass through unimpeded by the common mode impedance. The insertion loss for differential signals is shown in the lower graph. These data were taken in a 50 Ohm system. All parts should be tested using an appropriate Line Impedance Stabilization Network (LISN) when testing EMI/RFI performance of off-line power converters.

Common Mode Attenuation*



Differential Mode Insertion Loss*



*measured on Agilent/HP 3577A network analyzer.

Coilcraft[®]

Specifications subject to change without notice. Document 143-2 Revised 10/17/02

1102 Silver Lake Road Cary, Illinois 60013 Phone 847/639-6400 Fax 847/639-1469

E-mail info@coilcraft.com Web <http://www.coilcraft.com>

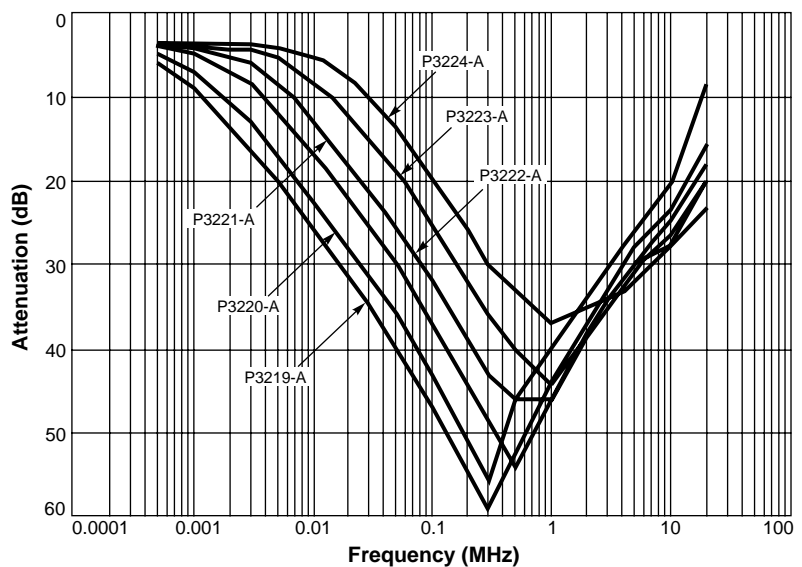
High Inductance Series

Part number	Inductance min (mH)	Current rating (Amps)	Leakage inductance (Amps)	SRF max (μ H)	DCR max typ (kHz)	Interwinding isolation (Ohms)	Lead diameter (Volts rms)	nom
P3219-A	10.8	1.3	165	125	0.29	1250	0.051/1,29	
P3220-A	7.0	2.0	100	225	0.15	1250	0.051/1,29	
P3221-A	3.7	3.2	60	400	0.08	1250	0.051/1,29	
P3222-A	2.2	5.0	35	600	0.04	1250	0.051/1,29	
P3223-A	1.1	8.1	20	900	0.02	1250	0.040/1,02	
P3224-A	0.58	13.0	10	1150	0.01	1250	0.051/1,29	

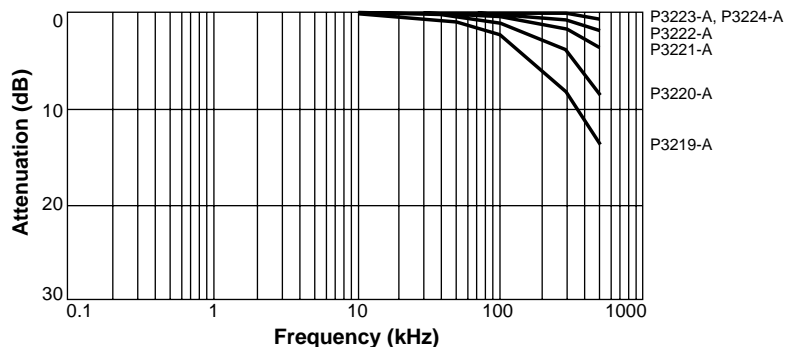
1. All parts have #16 AWG tinned copper wire leads except P3223-A, which has #18 AWG leads.
2. Operating temperature range -40°C to $+85^{\circ}\text{C}$.
3. Electrical specifications at 25°C .

Shown here are typical common mode frequency plots of each part number. The plots indicate the relative performance of each part over the frequency range of most interest for designers of equipment that must meet FCC and VDE noise regulations. It is important to note that only a common mode signal will be attenuated as shown. Differential mode power such as 50/60 Hz power line currents or data signals will pass through unimpeded by the common mode impedance. The insertion loss for differential signals is shown in the lower graph. These data were taken in a 50 Ohm system. All parts should be tested using an appropriate Line Impedance Stabilization Network (LISN) when testing EMI/RFI performance of off-line power converters.

Common Mode Attenuation*



Differential Mode Insertion Loss*



*measured on Agilent/HP 3577A network analyzer.

Coilcraft[®]

Specifications subject to change without notice. Document 143-3 Revised 10/17/02

1102 Silver Lake Road Cary, Illinois 60013 Phone 847/639-6400 Fax 847/639-1469

E-mail info@coilcraft.com Web <http://www.coilcraft.com>