



■ Features :

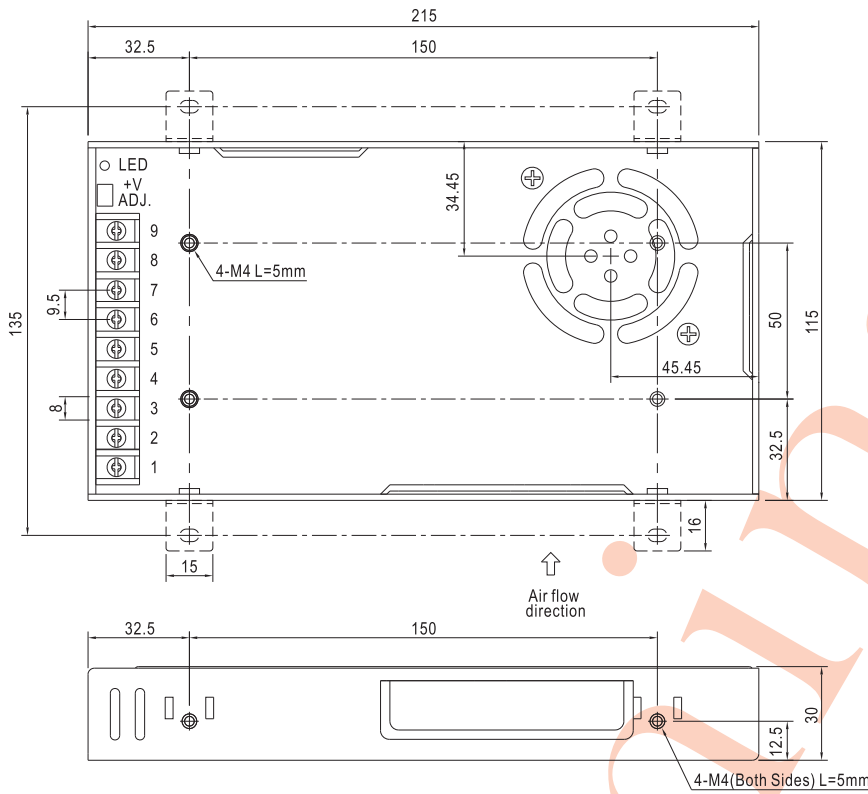
- AC input 180~264VAC
- Protections: Short circuit / Overload / Over voltage/ Over temperature
- Leakage current < 1mA
- Forced air cooling by built-in DC fan
- Low profile: 30mm
- Withstand 300vac surge input for 5 second
- LED indicator for power on
- Conformal coating
- Low cost, high reliability
- 100% full load burn-in test
- 2 years warranty

SPECIFICATION

| MODEL | NEL-300-2.8 | NEL-300-4 | NEL-300-5 | |
|---------------------|---|--|------------|------------|
| OUTPUT | DC VOLTAGE | 2.8V | 4V | 5V |
| | RATED CURRENT | 60A | 60A | 60A |
| | CURRENT RANGE | 0 ~ 60A | 0 ~ 60A | 0 ~ 60A |
| | RATED POWER | 168W | 240W | 300W |
| | RIPPLE & NOISE (max.) Note.2 | 150mVp-p | 150mVp-p | 150mVp-p |
| | VOLTAGE ADJ. RANGE | 2.5 ~ 3V | 3.6 ~ 4.4V | 4.5 ~ 5.5V |
| | VOLTAGE TOLERANCE Note.3 | +3%, -4.5% | +3%, -4.5% | ±3.0% |
| | LINE REGULATION | ±0.5% | ±0.5% | ±0.5% |
| | LOAD REGULATION | ±2.5% | ±2.5% | ±2.0% |
| SETUP, RISE TIME | 250ms, 50ms/230VAC | | | |
| HOLD UP TIME (Typ.) | 20ms/230VAC | | | |
| INPUT | VOLTAGE RANGE | 180 ~ 264VAC 254 ~ 370VDC | | |
| | FREQUENCY RANGE | 47 ~ 63Hz | | |
| | EFFICIENCY (Typ.) | 86% | 87% | 87% |
| | AC CURRENT (Typ.) | 1.5A/230VAC | 3A/230VAC | 4A/230VAC |
| | INRUSH CURRENT (Typ.) | 60A/230VAC | | |
| | LEAKAGE CURRENT | <1mA / 240VAC | | |
| PROTECTION | OVER LOAD | 105 ~ 140% rated output power Protection type : Hiccup mode, recovers automatically after fault condition is removed | | |
| | OVER VOLTAGE | 3.22 ~ 3.78V | 4.6 ~ 5.4V | 5.6 ~ 7V |
| | OVER TEMPERATURE | 105°C ±5°C (TSW1) Detect on HS1 Protection type : Shut down O/P voltage, recovers automatically after temperature goes down | | |
| ENVIRONMENT | WORKING TEMP. | -20 ~ +60°C (Refer to output load derating curve) | | |
| | WORKING HUMIDITY | 20 ~ 90% RH non-condensing | | |
| | STORAGE TEMP., HUMIDITY | -20 ~ +85°C, 10 ~ 95% RH | | |
| | TEMP. COEFFICIENT | ±0.03%/°C (0 ~ 50°C) | | |
| VIBRATION | 10 ~ 500Hz, 3G 10min./1cycle, 60min. each along X, Y, Z axes | | | |
| SAFETY | SAFETY STANDARDS | UL60950-1 approved | | |
| | WITHSTAND VOLTAGE | I/P-O/P:3KVAC I/P-FG:2KVAC O/P-FG:0.5KVAC | | |
| | ISOLATION RESISTANCE | I/P-O/P, I/P-FG, O/P-FG:100M Ohms/500VDC / 25°C / 70% RH | | |
| OTHERS | MTBF | 235K hrs min. MIL-HDBK-217F (25°C) | | |
| | DIMENSION | 215*115*30mm (L*W*H) | | |
| | PACKING | 0.8Kg; 15pcs/13Kg/0.78CUFT | | |
| NOTE | 1. All parameters NOT specially mentioned are measured at 230VAC input, rated load and 25°C of ambient temperature. 2. Ripple & noise are measured at 20MHz of bandwidth by using a 12" twisted pair-wire terminated with a 0.1uf & 47uf parallel capacitor. 3. Tolerance : includes set up tolerance, line regulation and load regulation. | | | |

Case No. 220A Unit:mm

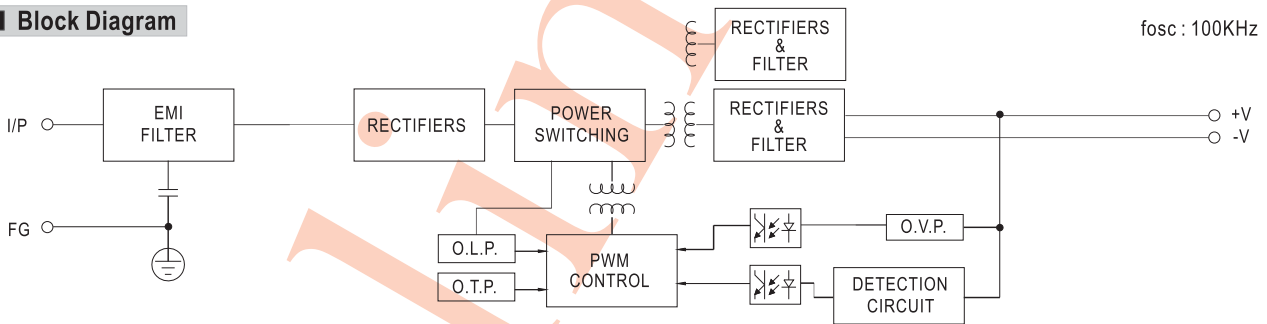
Mechanical Specification



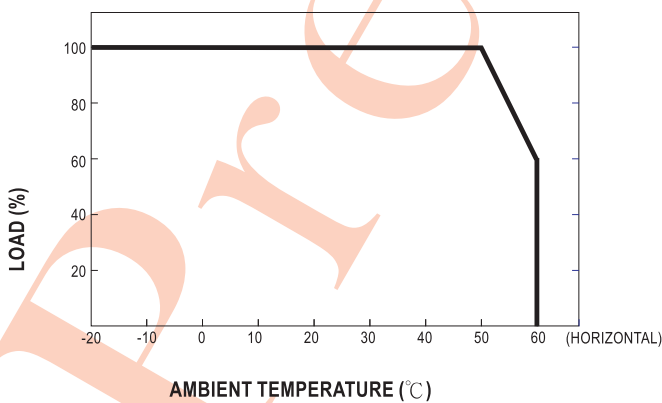
Terminal Pin No. assignment :

| Pin No. | Assignment | Pin No. | Assignment |
|---------|------------|---------|--------------|
| 1 | AC/L | 4~6 | DC OUTPUT -V |
| 2 | AC/N | 7~9 | DC OUTPUT +V |
| 3 | FG \perp | | |

Block Diagram



Derating Curve



Static Characteristics

