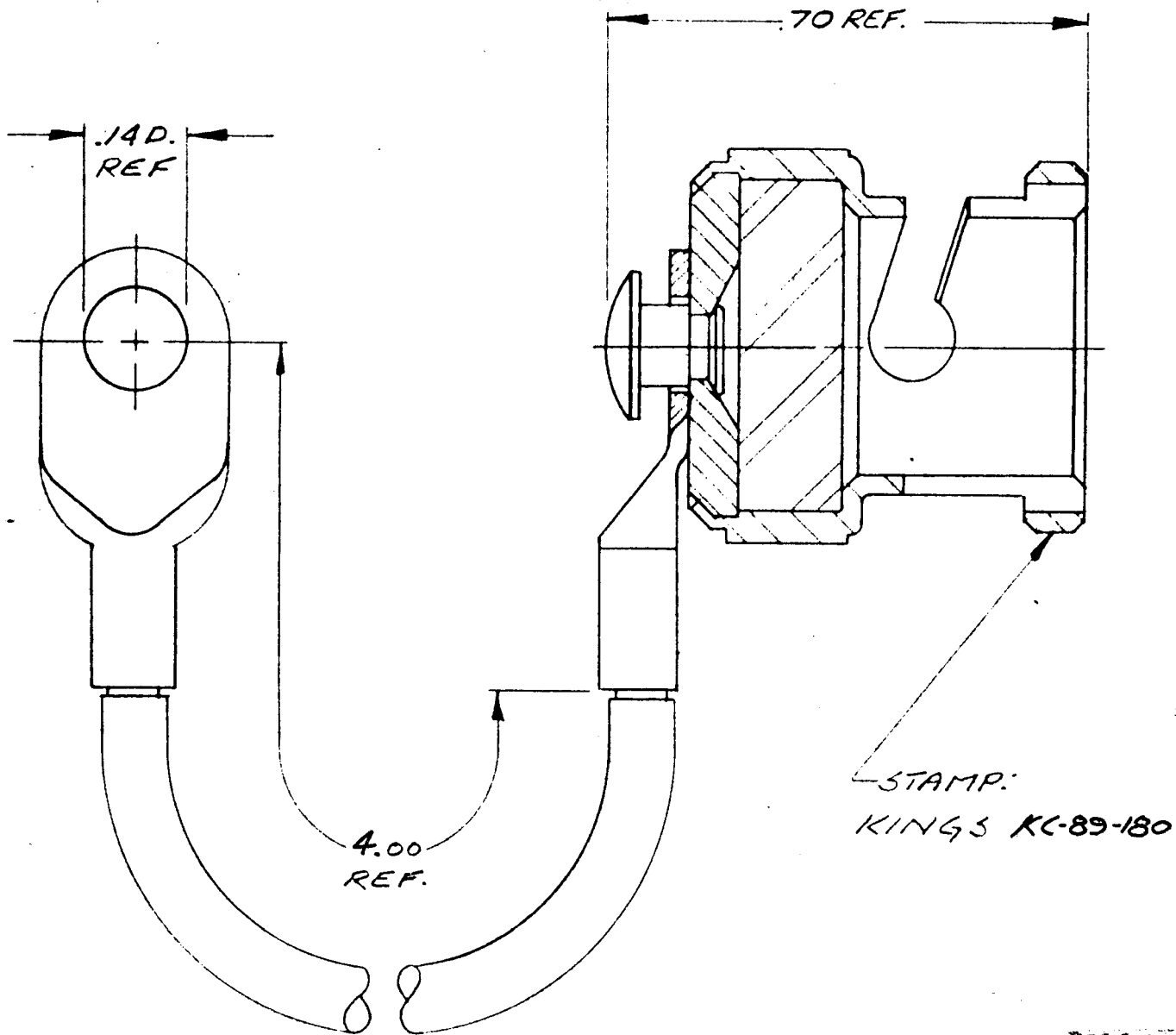


DASH NO. M CODE MADE FROM

REVISIONS



ISSUE	CHANGES
2	CN 21935 D M.A. 14 MAY 81
3	CN 28541 A LI 12-15-86

GSD

USED ON:	
REF:	
FINISH	
SPEC. KER 10004	
MATL.	
SPEC.	
BNC DUST CAP	
DRAWN GINO	DATE 22 NOV 77
APPR.	DATE

GSD

UNLESS OTHERWISE SPECIFIED:

1. TOLERANCES: FRACTIONS & 2 PLACE DECIMALS $\pm .010$
3 PLACE DECIMALS $\pm .004$ ANGLES $\pm 0^{\circ} 30'$
2. REMOVE ALL BURRS, BREAK SHARP EDGES .005 MAX.
3. NO FILLETS PERMITTED.
4. SURFACE ROUGHNESS 63 MICROINCHES RMS MAX.
5. ALL DIMENSIONS PRIOR TO PLATING.

KINGS ELECTRONICS
40 MARBLEDALE ROAD
TUCKAHOE, N. Y. 10707

KC-89-180